

The light, elegance

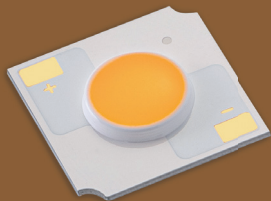
# CITILED Type-F

Our unique COB structure improved light emission from LES.

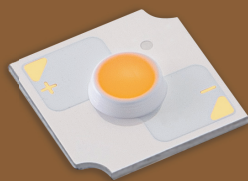
Type-F uniform light emission on both brightness and colors, enhance your luminaire's beam spot quality. Luminaire using Type-F COB, has no yellow ring and unevenness of light color, creates elegant, high quality lighting space .



## CITILED High Intensity COB series Ver.4

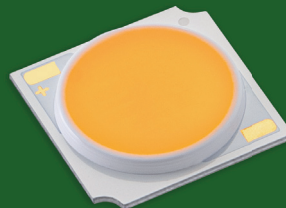


CLU713

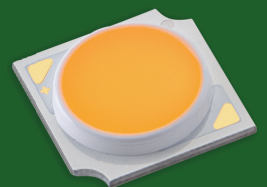


CLU7A3

CLU03Q



CLU02Q



## CITILED Standard COB series Ver.9

## Color Variation

Package	Die Configuration	90 CRI Min.							90 CRI Min. Below B.B.L.			97 CRI Typ.			
		24	27	30	35	40	50	57	27	30	35	27	30	35	40
CLU7A3	0403	★	○	○	★	○	★	—	★	★	★	○	○	★	○
	1201	★	○	○	★	○	★	—	★	★	★	○	○	★	○
CLU703	1202	★	○	○	★	○	★	—	★	★	★	○	○	★	○
CLU713	1204	★	○	○	★	○	★	—	★	★	★	○	○	★	○
CLU723	1206	★	○	○	★	○	★	—	★	★	★	★	★	★	★
CLU733	1210	★	○	○	★	○	★	—	★	★	★	★	★	★	★
CLU02Q	1203	—	○	○	★	○	—	★	★	★	★	○	○	—	○
	1204	—	○	○	★	○	—	★	★	★	★	○	○	—	○
CLU03Q	1206	—	○	○	★	○	—	★	★	★	★	○	○	—	○
	1208	—	○	○	★	○	—	★	★	★	★	○	○	—	○
	1210	—	○	○	★	○	—	★	★	★	★	○	○	—	○

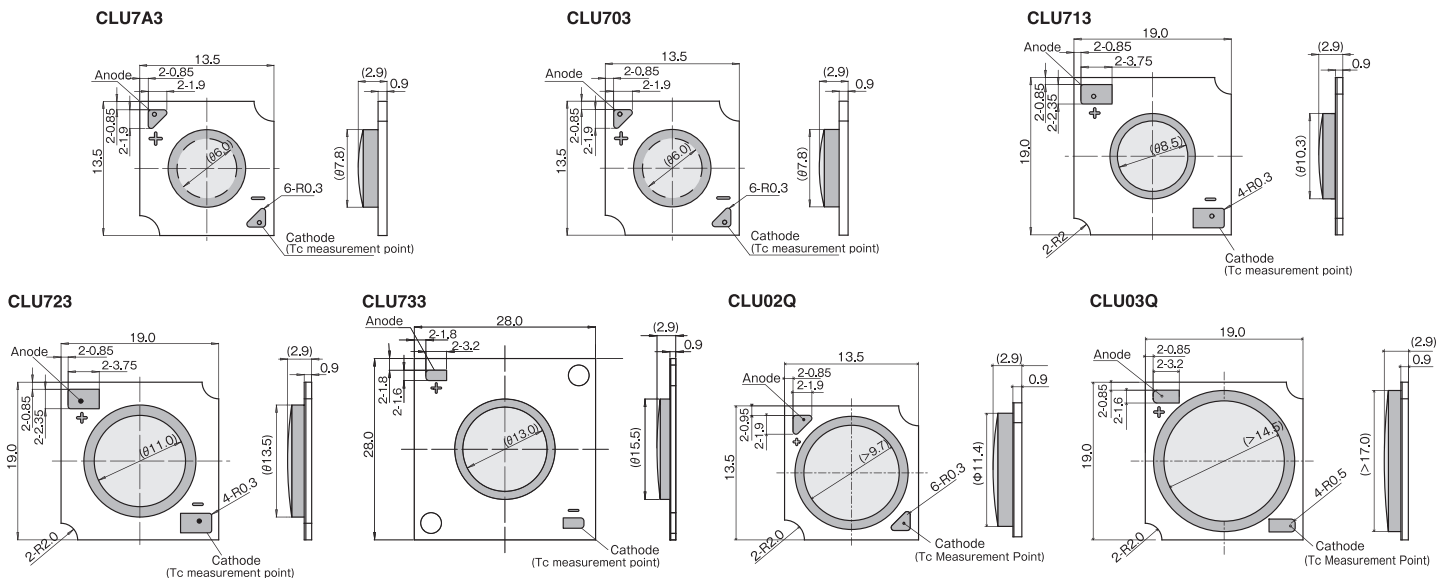
Note: "★" indicate that optional color line up. Please contact our sales team if you are considering ordering the color which is except for standard line up.

## Representative specifications

(Tj=85°C)

Product code	Electro-optical Characteristics									Absolute Maximum Rating
	CRI	CCT	Forward current (mA)	Voltage Typ. (V)	Input power Typ. (W)	Luminous flux Typ. (lm)	Efficacy Typ. (lm/W)	Thermal resistance Rj-c(C/W)	Forward current (mA)	
CLU7A3-0403E1-303H5XB-H01	90min.	3,000K	525	12.2	6.4	654	102	3.40	900	
CLU7A3-1201E1-303H5XB-H01	90min.	3,000K	175	36.5	6.4	654	102	3.40	300	
CLU703-1202E1-303H5XB-H01	90min.	3,000K	350	36.5	12.8	1,360	106	1.70	600	
CLU713-1204E1-303H5XB-H01	90min.	3,000K	700	36.5	25.6	2,755	108	0.95	1,200	
CLU723-1206E1-303H5XB-H01	90min.	3,000K	1,050	36.5	38.3	4,191	109	0.62	1,380	
CLU733-1210E1-303H5XB-H01	90min.	3,000K	1,750	36.5	63.9	6,806	107	0.35	2,300	
CLU02Q-1203E1-303H5XB-H01	90min.	3,000K	270	33.8	9.1	1,197	131	1.00	690	
CLU02Q-1204E1-303H5XB-H01	90min.	3,000K	360	33.8	12.2	1,567	129	0.86	920	
CLU03Q-1206E1-303H5XB-H01	90min.	3,000K	540	33.8	18.3	2,428	133	0.61	1,380	
CLU03Q-1208E1-303H5XB-H01	90min.	3,000K	720	33.8	24.3	3,175	130	0.48	1,840	
CLU03Q-1210E1-303H5XB-H01	90min.	3,000K	900	33.8	30.4	3,944	130	0.40	2,300	

## Outline Drawing



Note: Product codes and specifications in this catalogue are subject to change without notice for improvement, and products may be discontinued. We will not be held liable for any damages or costs caused by such change or discontinuation. Please ask our sales team for details of the release date and the latest specifications of each product.

## Contact

Website <https://ce.citizen.co.jp/e/>  
 Sales Network [https://ce.citizen.co.jp/productse/sales\\_network](https://ce.citizen.co.jp/productse/sales_network)  
 Requests / Inquiries E-mail: [cej-inquiry@ml.citizen.co.jp](mailto:cej-inquiry@ml.citizen.co.jp)

CITIZEN ELECTRONICS CO., LTD. shall not be liable for any disadvantages or damages resulting from the use of downloaded data or the impossibility of download and use, responsibility for the cause of lawsuit or any other damages or losses. This data shall be provided as is to users and CITIZEN ELECTRONICS CO., LTD. does not guarantee the absence of error or other defects in this data, conformance of this data to specific purpose, this data or its use will not infringe the right of users or third parties or any other matters. CITIZEN ELECTRONICS CO., LTD. reserves the right to make changes to data without notification.