



# Connector



## 0.8mm Contact Spacing, Board To Board SMT Connectors EBB-PR24 SERIES

### ■ FEATURES

- 0.8mm contact spacing.
- No. of contacts: 6~36 pin.
- Available in embossed type for automatic mounting.

### ■ SPECIFICATIONS

#### 1.ELECTRICAL

- Voltage rating: 200VAC
- Current rating: 0.5A
- Contact resistance: 20mΩ max.(initial)
- Insulation resistance: 1000MΩ min.

#### 2.MECHANICAL

- Durability: Mate & Unmate with applicability for 30 times, Contact resistance: 40mΩ max.
- Connector Mating Force: 0.35kgf\*n (3.4N\*n) max.(n: Pin)
- Connector Unmating Force: 0.05kgf\*n (0.49N\*n) min.(n: Pin)
- Terminal Retention Force: 0.5kgf (4.9N) min.

### ■ MATERIALS

#### 1.MATERIAL

- Contacts: Copper Alloy
- Insulator Housing: High Temp. Thermoplastic

#### 2.PLATING

- Nickel In All Area
- Au over Nickel (RoHS Compliant)
- Tin over Nickel (RoHS Compliant)

### ■ PACKING

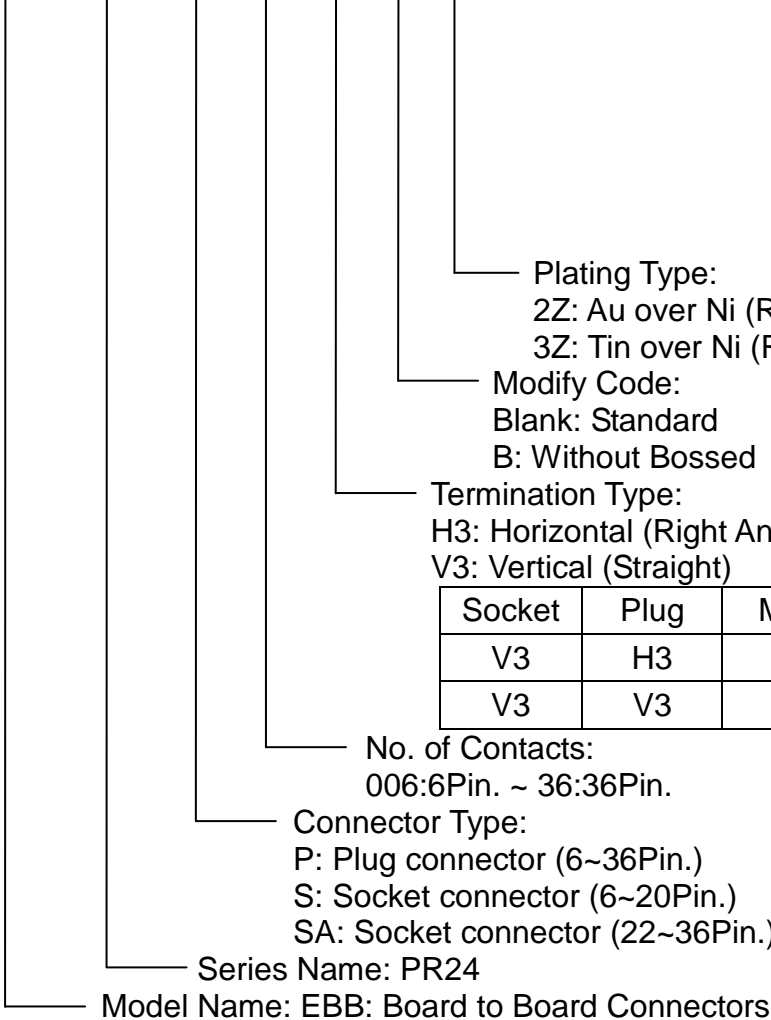
#### 1.Packing method

- All connectors are packed in reel method.



## ■ PART NUMBERING SYSTEM

EBB - PR24 - SA 30 V3 B - 3Z



Plating Type:  
 2Z: Au over Ni (RoHS Compliant)  
 3Z: Tin over Ni (RoHS Compliant)

Modify Code:  
 Blank: Standard  
 B: Without Bossed

Termination Type:  
 H3: Horizontal (Right Angle)  
 V3: Vertical (Straight)

Socket	Plug	Mate Height
V3	H3	4.75
V3	V3	4.5

No. of Contacts:  
 006:6Pin. ~ 36:36Pin.

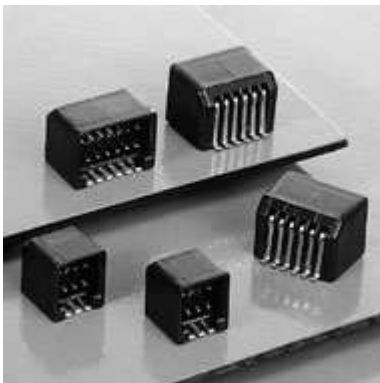
Connector Type:  
 P: Plug connector (6~36Pin.)  
 S: Socket connector (6~20Pin.)  
 SA: Socket connector (22~36Pin.)

Series Name: PR24

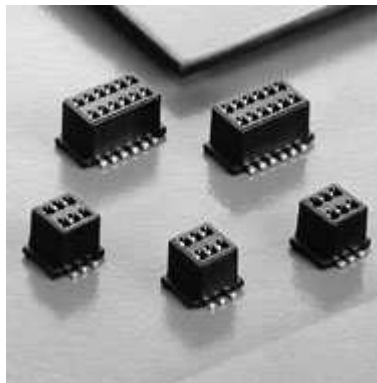
Model Name: EBB: Board to Board Connectors

## ■ DIMENSIONS UNIT:mm

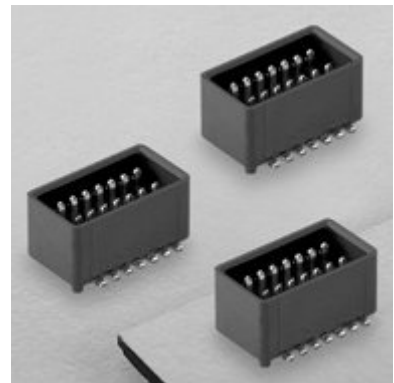
**EBB-PR24-P\*\*\*H3**



**EBB-PR24-SA\*\*V3**

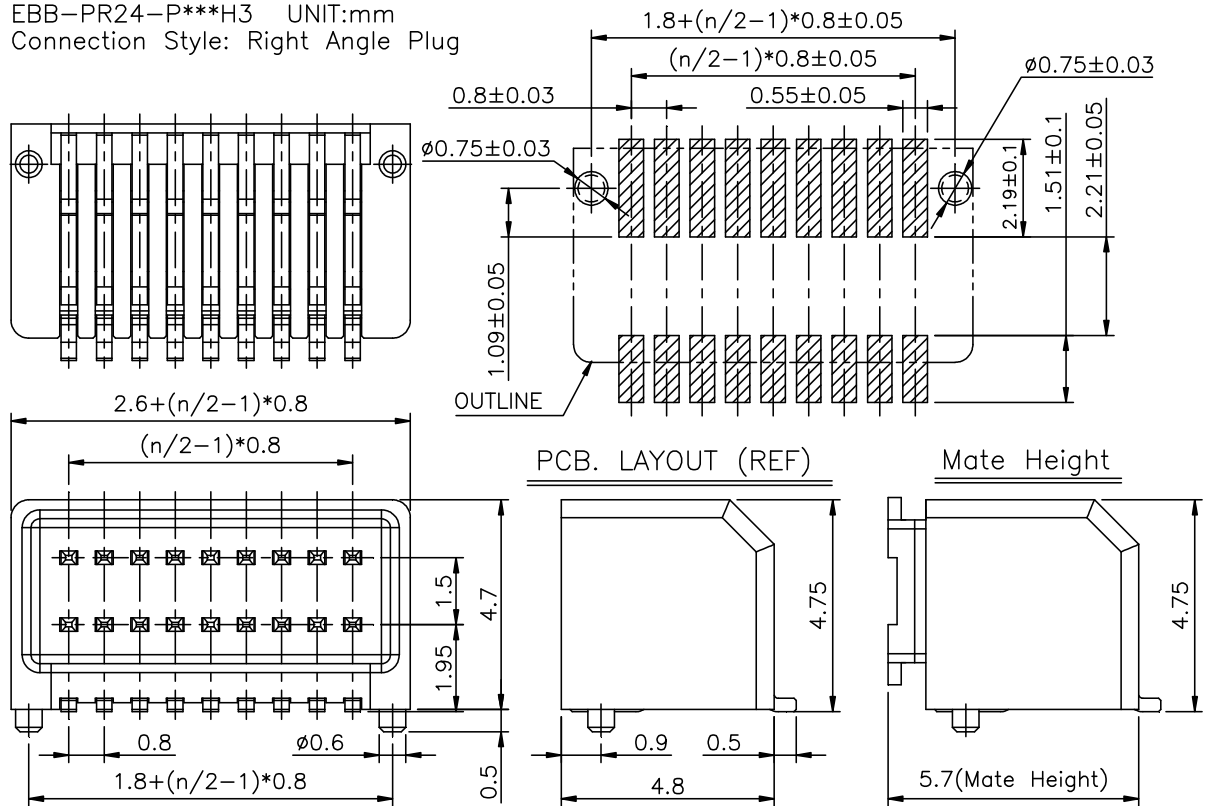


**EBB-PR24-P\*\*\*V3**

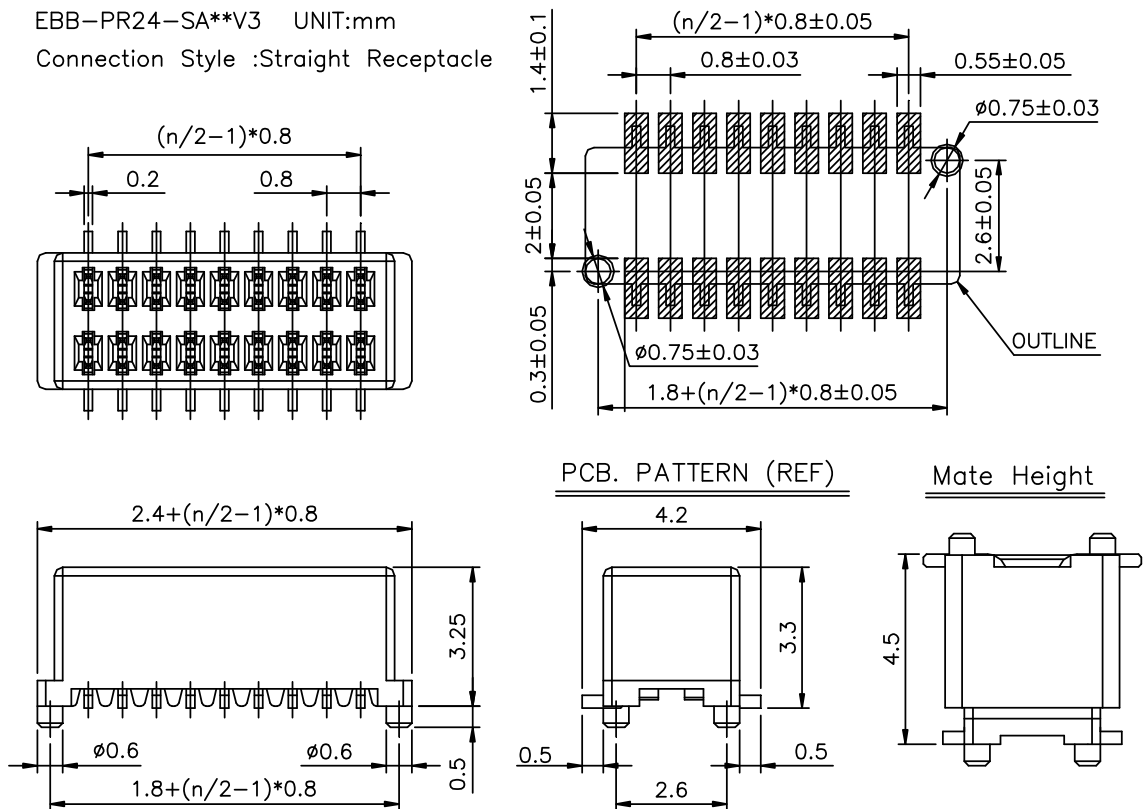




EBB-PR24-P\*\*\*H3 UNIT:mm  
Connection Style: Right Angle Plug



EBB-PR24-SA\*\*V3 UNIT:mm  
Connection Style :Straight Receptacle





EBB-PR24-P\*\*\*V3 UNIT:mm  
 Connection Style: Vertical(Straight) Plug

