

faytech, nice touch.

PRODUCT CATALOG 2017/2018

YOUR TOUCH DEVICE SPECIALIST



10.1" Capacitive Touch Monitor

GERMAN ENGINEERING • ASIAN MANUFACTURING • LOCAL SERVICE

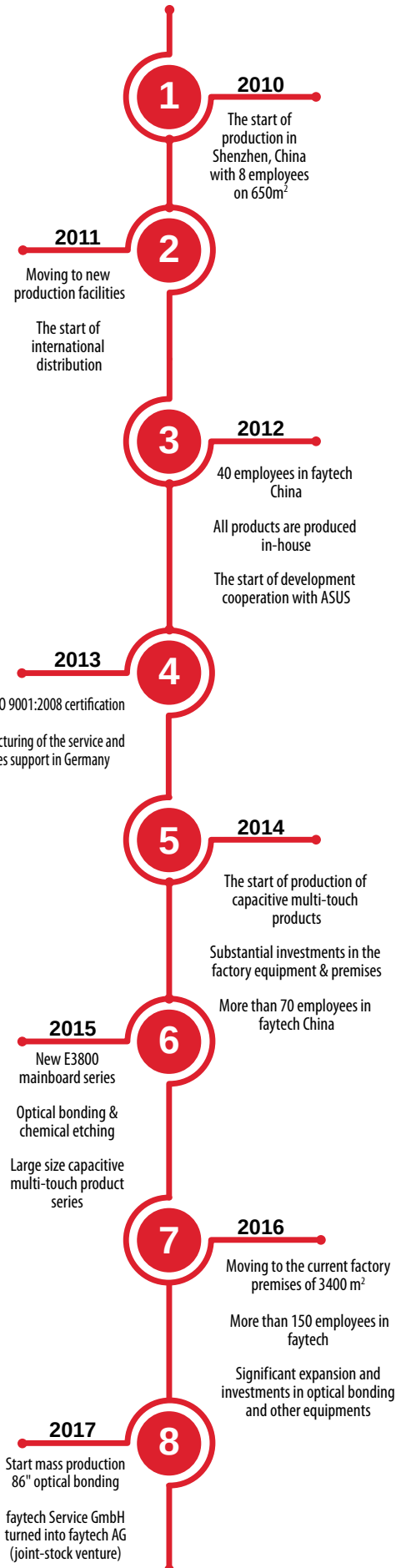


History

faytech's roots lay in Germany. Arne Weber, the founding manager of faytech, started to develop and market electronic devices in 2001. Later in 2006, the today called faytech AG started to import touchscreen displays in Germany. Within three years, the German corporation became the leading touchscreen supplier in Germany in this niche.

Based on the early success, Fan Yang joined faytech. After that the management team moved to Shenzhen to start its own production facility in China. By doing this the company now combines German quality and development know-how together with Chinese sourcing and manufacturing competencies. In 2009, faytech Tech. Co., Ltd. was founded and Fan has been leading the company since then as a founding manager.

In 2010, faytech began to produce touch PCs in its own factory for the first time. Today all offered touch devices are solely designed and manufactured by faytech. produced on its own ISO 9001:2008 certified production lines, following strict German quality guidelines and expectations. faytech's marketing strategy is to deliver the best price/quality ratio in the industrial and B2B touch device market.







faytech, nice touch.

faytech's market position is to deliver the best price–performance ratio in the industrial and B2B touch device market. All the products receive CE, FCC and RoSH certificates and are tested to be in perfect condition before shipment. Some of the most renowned companies around the globe are currently using faytech devices, such as Siemens, Bosch, NEC and Continental. The products, both of standard and customized, enjoy the reputation of being reliable and flexible. faytech's devices can withstand the harshest environments due to their ruggedness. On top of that, our patented sealing technology allows them to reach an IP65 or higher level. All factors combining make our touch devices the best solution to your project!


faytech's Touch Monitors and PCs are used in a wide variety of applications. Customers use faytech technology for house/office automation and media center applications. Besides this it is being used in factories for industrial automation and also in restaurants, bars and drugstores to facilitate their selling process.

faytech already has some real globetrotters like the IP65 Touch-PC series. Our products (with SAW-option) are successfully implemented in car washing centers in the US; police vehicles in Brazil (vandalism resistant), outdoor POS in Australia and numerous projects in Asia and Europe.

Contents

INDUSTRIAL MAINBOARDS.....	7
FAY002.....	8
FAY003.....	11
Embedded A20 Mainboard.....	13
Embedded V40 Mainboard.....	15
7"-12" RESISTIVE TOUCH MONITORS.....	17
7" Resistive Touch Monitor.....	19
8" Resistive Touch Monitor.....	21
10" Resistive Touch Monitor.....	23
12.1" Resistive Touch Monitor.....	25
15"-22" RESISTIVE TOUCH MONITORS.....	27
15" Resistive Touch Monitor.....	29
17" Resistive Touch Monitor.....	31
19" Resistive Touch Monitor.....	33
22" Resistive Touch Monitor.....	35
7"-22" CAPACITIVE TOUCH MONITORS.....	37
7" Capacitive Touch Monitor.....	39
8" Capacitive Touch Monitor.....	41
10" Capacitive Touch Monitor.....	43
10.1" Capacitive Touch Monitor.....	45
12.1" Capacitive Touch Monitor.....	47
13.3" Capacitive Touch Monitor.....	49
15" Capacitive Touch Monitor.....	51
15.6" Capacitive Touch Monitor.....	53
17" Capacitive Touch Monitor.....	55
18.5" Capacitive Touch Monitor.....	57
21.5" Capacitive Touch Monitor.....	59
7"-15" IP65 HIGH BRIGHTNESS TOUCH MONITORS.....	61
7" IP65 High Brightness Touch Monitor.....	63
8" IP65 High Brightness Touch Monitor.....	65
10" IP65 Touch Monitor.....	67
10.4" IP65 High Brightness Touch Monitor.....	69
12.1" IP65 High Brightness Touch Monitor.....	71
12.1" Capacitive IP65 High Brightness Touch Monitor.....	73
15" IP65 High Brightness Touch Monitor.....	75
7"-19" RESISTIVE TOUCH PCS.....	77
7" Resistive Touch PC.....	79
8" Resistive Touch PC.....	81
10" Resistive Touch PC.....	83
12.1" Resistive Touch PC.....	85
15" Resistive Touch PC.....	87
17" Resistive Touch PC.....	89
19" Resistive Touch PC.....	91

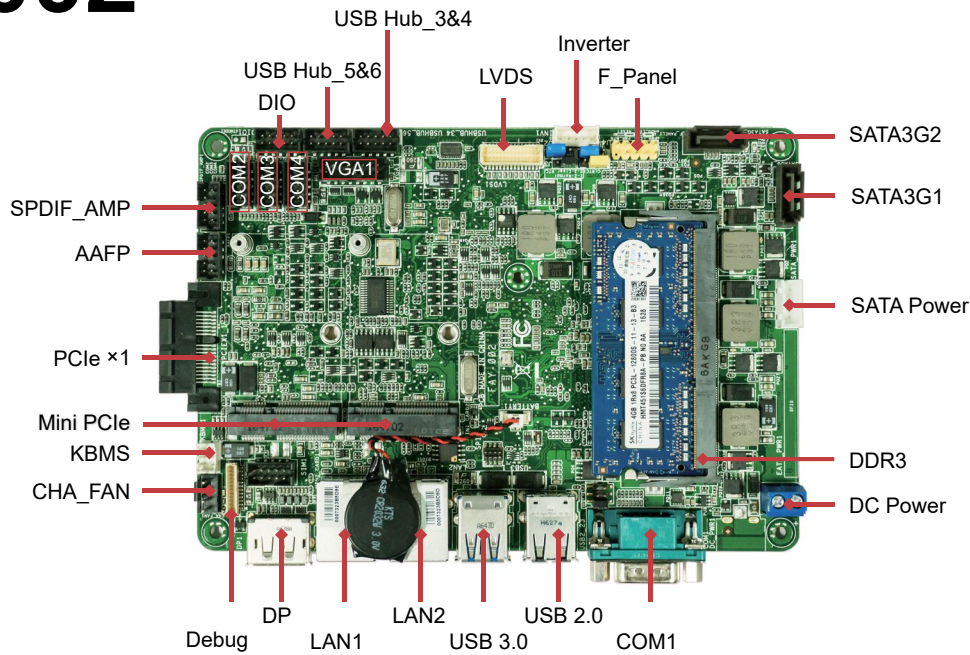
7"-22" CAPACITIVE TOUCH PCS.....	93
7" Capacitive Touch PC.....	95
8" Capacitive Touch PC.....	97
10" Capacitive Touch PC.....	99
10.1" Capacitive Touch PC.....	101
12.1" Capacitive Touch PC.....	103
13.3" Capacitive Touch PC.....	105
15" Capacitive Touch PC.....	107
15.6" Capacitive Touch PC.....	109
17" Capacitive Touch PC.....	111
21.5" Capacitive Touch PC.....	113
EMBEDDED TOUCH PCS.....	115
7" Embedded Touch PC.....	117
8" Embedded Touch PC.....	119
10" Embedded Touch PC.....	121
10.1" Embedded Touch PC.....	123
13.3" Embedded Touch PC.....	125
15" Embedded Touch PC.....	127
15.6" Embedded Touch PC.....	129
17" Embedded Touch PC.....	131
21.5" Embedded Touch PC.....	133
IP65 HIGH BRIGHTNESS TOUCH PCS.....	135
10.4" IP65 High Brightness Touch PC.....	137
15" IP65 High Brightness Touch PC.....	139
LARGE SIZE CAPACITIVE TOUCH MONITORS.....	141
32" Capacitive Touch Monitor.....	143
42" Capacitive Touch Monitor.....	145
55" Capacitive Touch Monitor.....	147
84" Capacitive Touch Monitor.....	149
LARGE SIZE CAPACITIVE TOUCH PCS.....	151
32" Capacitive Touch PC.....	153
42" Capacitive Touch PC.....	155
55" Capacitive Touch PC.....	157
TOUCH PC KIOSKS.....	159
21.5" Touch PC Kiosk.....	161
32" Touch PC Kiosk.....	163
42" Touch PC Kiosk.....	165
55" Touch PC Kiosk.....	167



Industrial Mainboards

Detailed picture of faytech's Allwinner® A20 embedded mainboard

FAY002



faytech responds to the demand of more and more powerful systems by using fay-002 Intel® E3800 series mainboard. The fay-002 series follow the highest industrial PC standards and provides stable performance. Powered by Intel® Dualcore N2807 and Quadcore J1900 processors based on Silvermont architecture, they deliver respectively 2x 1.58 GHz and 4x 2 GHz CPU frequency, which significantly improve the performance of touch PCs equipped with them. The Intel® graphic chip adds stronger graphic performance. On top of that, all of these are compacted in a fanless design!

With USB 3.0 and the support of up to 8G RAM, the faytech's mainboards set new standards in versatility again. Fanless, with such a small footprint, there is no other IPC mainboard on the market offering so many connectors: 2x Mini-PCIe, 1x PCIe, SPDIF, Mic-in/Line-out, 2x 2w amplifiers, 2x Realtek PCIe Gb LAN 8111G, 7x USB 2.0, etc. There should be no industrial application where faytech mainboard is not competent for!

Contact us and customize your product based on faytech mainboard series.



Product name	FAY002 N2807
Article code / EAN number	FTN2807 / 6920734094257
Mainboard Specifications	
Fanless, no moving parts	•
CPU	Intel® Celeron™ DualCore Processor N2807
CPU-clockspeed / Turbo Speed	1.58 GHz / 2.16 GHz
Tjunction CPU (°C)	105
Chipset	Intel® E3800 Silvermont architecture
BIOS	64Mb Flash ROM, UEFI AMI BIOS, PnP, DMI 2.0, Wfm 2.0, SM BIOS, ACPI 3.06
TPM	1x Infineon SLB9635 TT 1.2
Watchdog Timer (1~255 steps by software program)	•
Wake On LAN/PCE	• (WOL, PXE)
Graphic	Intel® HD graphics; DirectX 11.1, OpenGL 4.0
Graphics Base Frequency	313 MHz
Graphics Max. Dynamic Frequency	750 MHz
External maximum showable resolution - DP, VGA	1920×1200 @ 60Hz
Audio-Chip	Realtek 887 8channel high definition audio codec, Audio Amplifier EUA 2012A
5.1 Channel High Definition Audio Codec	•
Network	2 x Realtek PCIe Gb LAN 8111G
Power consumption PC-Part (W)	5
Standard working power (V)	12
Operating temperature (°C)	-10 ~ +60
Humidity range (RH)	20% - 90%
PASSMARK CPU-Benchmark	919
Net weight (g)	180
Dimensions (cm) L × W	EPIC-form factor: 16.5 × 11.5
Drivers	Win7, Win8, Win10; Linux; 32Bit/64Bit
Included in the Delivery	
Driver DVD	•
Short Installation Manual	•
Standard Guarantee	2 years bring-in

Internal Connectors
1x SO-DIMM Slot, max. 4GB, DDR3L-1333 Single channel memory
1x 12V DC power connector (2-pin)
1x 4-pin SATA power connector
2x S-ATA 3GB/s ports
1x VGA pin header
1x SIM-card-Header (connected to MiniPCIe)
1x LVDS connector
1x 5-pin LCD power connector
1x S/PDIF output pin header
1x Line-Out / Mic-In audio pin header
1x 4-pin (2x2W) audio amplifier connector
1x PS/2 keyboard/mouse connector (6-pin)
2x USB 2.0 header supports additional 4x USB 2.0 ports
2x RS232 connectors
1x 8-bit Digital I/O interface
1x Chassis Fan connector

External Connectors
1x Display port
1x USB 3.0; 3x USB 2.0 ports
1x COM port Full-PIN (RS232; 5V/12V)
2x 10/100/1000Mbit RJ45 Ports

Expansion slots
2x Mini Card slots with PCIe and USB interface (2 x Full Height/Half height changeable)

Industrial Mainboards

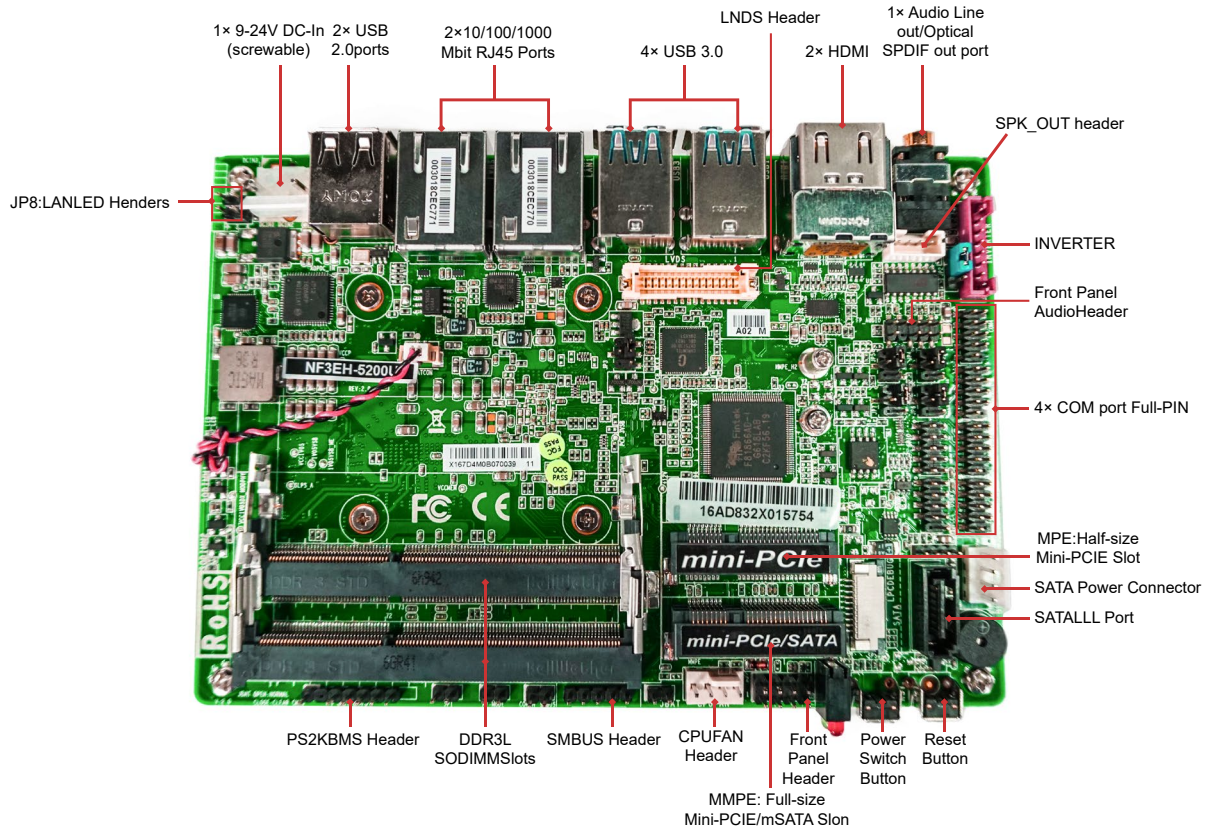
Product name	FAY002 J1900
Article code / EAN number	FTJ1900 / 6920734094240
Mainboard Specifications	
Fanless, no moving parts	•
CPU	Intel® Celeron™ QuadCore Processor J1900
CPU-clockspeed / Turbo Speed	2.0 GHz / 2.42 GHz
Tjunction CPU (°C)	105
Chipset	Intel® E3800 Silvermont architecture
BIOS	64Mb Flash ROM, UEFI AMI BIOS, PnP, DMI 2.0, Wfm 2.0, SM BIOS, ACPI 3.06
TPM	1x Infineon SLB9635 TT 1.2
Watchdog Timer (1~255 steps by software program)	•
Wake On LAN/PCE	• (WOL, PXE)
Graphic	Intel® HD graphics; DirectX 11.1, OpenGL 4.0
Graphics Base Frequency	688 MHz
Graphics Max. Dynamic Frequency	854 MHz
External maximum showable resolution - DP, VGA	1920×1200 @ 60Hz
Audio-Chip	Realtek 887 8channel high definition audio codec, Audio Amplifier EUA 2012A
5.1 Channel High Definition Audio Codec	•
Network	2 x Realtek PCIe Gb LAN 8111G
Power consumption PC-Part (W)	10
Standard working power (V)	12
Operating temperature (°C)	-10 ~ +60
Humidity range (RH)	20% - 90%
PASSMARK CPU-Benchmark	1887
Net weight (g)	180
Dimensions (cm) L × W	EPIC-form factor: 16.5 × 11.5
Driver	Win7, Win8, Win10; Linux; 32Bit/64Bit
Included in the Delivery	
Driver DVD	•
Short Installation Manual	•
Standard Guarantee	2 years bring-in

Internal Connectors
1x SO-DIMM Slot, max. 8GB, DDR3L-1333 Single channel memory
1x 12V DC power connector (2-pin)
1x 4-pin SATA power connector
2x S-ATA 3GB/s ports
1x VGA pin header
1x SIM-card-Header (connected to MiniPCIe)
1x LVDS connector
1x 5-pin LCD power connector
1x S/PDIF output pin header
1x Line-Out / Mic-In audio pin header
1x 4-pin (2x2W) audio amplifier connector
1x PS/2 keyboard/mouse connector (6-pin)
2x USB 2.0 header supports additional 4x USB 2.0 ports
3x RS232/RS485 COM connectors, switchable between RS232/RS485 in BIOS
1x 8-bit Digital I/O interface
1x Chassis Fan connector

External Connectors
1x Display port
1x USB 3.0; 3x USB 2.0 ports
1x COM port Full-PIN (RS232/RS485; 5V/12V)
2x 10/100/1000Mbit RJ45 Ports

Expansion slots
2x Mini Card slots with PCIe and USB interface (2 x Full Height/Half height changeable)
1x PCIeX1 Straddle connector

FAY003



*: The mainboard shown is a version with Wifi, Bluetooth and GPS.

For whom the Intel® Celeron™ J1900 QuadCore CPU is not powerful enough they can speed further up. After extensive testing faytech released its Intel® i5-5200u Core based mainboard into standard production. Powered by Intel® i5 ULV (ultra low voltage) processor i5-5200u, it delivers both the stability and performance, which is required for demanding operations in industrial and retail environments.

Contact us and customize your product based on faytech mainboard series.



Industrial Mainboards

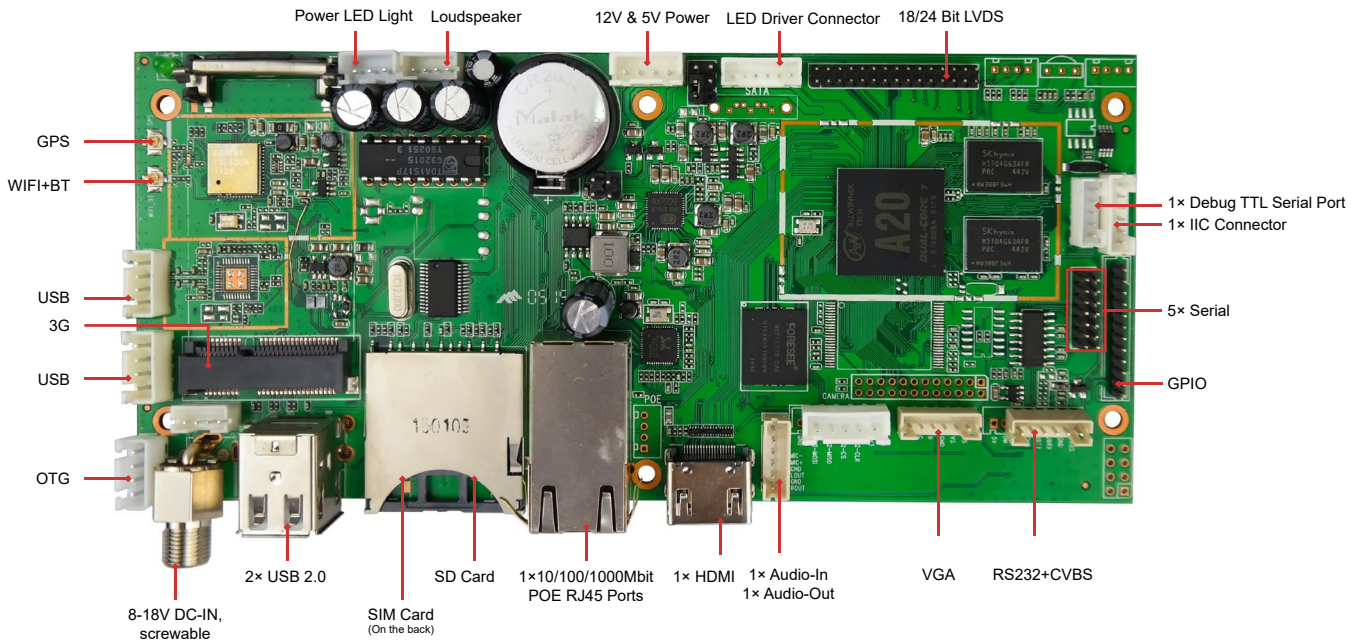
Product name	FAY003
Article code / EAN number	FTI55200u / 6920734094288
Mainboard Specifications	
Fanless, no moving parts	•
CPU	Intel® i5 ULV (ultra low voltage) processor i5-5200u
CPU-clockspeed / Turbo Speed	2.2 GHz / 2.7 GHz
Tjunction CPU (°C)	105
Chipset	Intel® Broadwell architecture
BIOS	AMI 128MB Flash ROM
Watchdog Timer (1~255 steps by software program)	•
Wake On LAN/PCE	• (WOL, PXE)
Graphic	Intel® HD graphics 5500; DirectX 11.1, OpenGL 4.0
Graphics Base Frequency	300 MHz
Graphics Max. Dynamic Frequency	900 MHz
External Maximum showable resolution - HDMI	2560×1600 @ 60Hz
External Maximum showable resolution - DP	3840×2160 @ 60Hz
Audio-Chip	Realtek ALC662 HD Audio Codec
5.1 Channel High Definition Audio Codec	•
Network	Intel® I211AT PCI-E Gigabit PCI-E LAN chip & Intel® I218LM Gigabit LAN PHY
Power consumption PC-Part (W)	15
Standard working power (V)	9-24
Operating temperature (°C)	-10 ~ +60
Humidity range (RH)	20% - 90%
PASSMARK CPU-Benchmark	3508
Net weight (g)	180
Dimensions (cm) L × W	3.5" form factor: 14.8 × 10.2
Drivers	Win7, Win8, Win10; Linux; 32Bit/64Bit
Included in the Delivery	
Driver DVD	•
Short Installation Manual	•
Standard Guarantee	2 years bring-in

Internal Connectors
2x SO-DIMM Slot, max. 8GB, unbuffered DDR3L-1333/1600 Single channel memory, up to 16GB together
1x 9-24V DC power connector (2-pin)
1x SATAIII 6G/s Connector (SATA1), SATA1 port & M-SATA connector (MMPE) supports RAID0/1 function.
1x LAN LED activity header
1x LVDS connector
1x 5-pin LCD power connector
1x SMBUS header
1x SPK-OUT header (for 3W / 8OHM amplifier)
1x Line-Out / Mic-In audio pin header
1x PS/2 keyboard/mouse connector (6-pin)
2x USB 2.0 header supports additional 3x USB 2.0 ports
4x Serial port header (COM1 supports RS422/RS485 function)
1x 8-bit Digital I/O interface (GPIO header)
1x Chassis Fan connector

External Connectors
2x HDMI
4x USB 3.0, 2x USB 2.0 ports
2x 10/100/1000Mbit RJ45 Ports
1x Audio Line out/Optical SPDIF out port
1x 9-24V DC-In (screwable connector optional)
1x On/Off-button; 1x Button-Line with On/Off + 4 GPIO-buttons on front panel

Expansion slots
1x Full-size Mini-PCIE/mSATA slot (MMPE)
1x Half-size Mini-PCIE slot (MPE)

Embedded A20 Mainboard



At the end of 2013, faytech started its embedded mainboard. Based on the several projects done in 2014, we launched the second version of our embedded mainboard. We currently provide two embedded mainboards - Embedded A20 Mainboard with high price-performance ratio, and Embedded V40 Mainboard with outstanding capability.

There are currently two versions for the A20 and V40 mainboards: The standard version with W-LAN and the full version with additional Bluetooth 4.0 (2.0 for A20), GPS, POE Plug-in and OTG port. These are faytech's most cost effective yet powerful Dualcore and Quadcore solutions for Linux or Android based platforms.



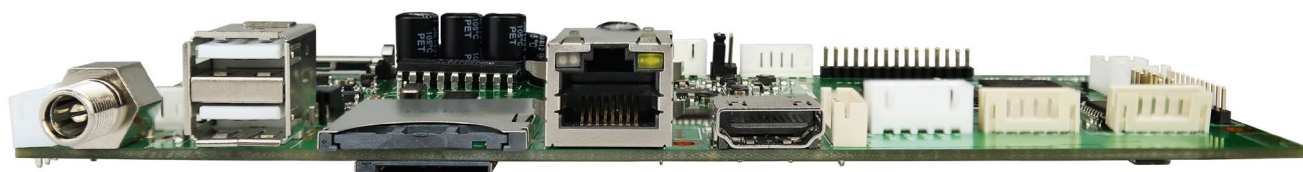
Industrial Mainboards

Product name	Embedded Allwinner A20 Mainboard
Article code	FTA20XGYGWBG
Code explanation (after FTA20)	
XG	1G or 2G RAM, 1G Standard
YG	4G to 16G Flash, 8G Standard
W	bgn-WLAN-adapator
B	Bluetooth 2.0 adaptor (optional)
G	GPS-module (optional)
Mainboard Specifications	
Fanless, no moving parts	•
CPU	Allwinner A20 Cortex™ A7 DualCore
CPU-Cores	2
CPU-clockspeed	1GHz
Chipset	Cortex A7
Max. TDP (W)	6
Memory (Standard)	1G DDR3 RAM, 8G NAND Flash
Graphics	ARM® Mali400 Mp2 complies with OpenGL ES 2.0/1.1
Graphics Base Frequency	500 MHz
External Maximum showable resolution	1920×1080 @ 60Hz
Audio-Chip	Integrated HI-FI 100dB Audio Codec Dual analog mic, 2x6W amplifier
5.1 Channel High Definition Audio Codec	•
Network	10M/100M/1000M Network, W-LAN
Operating temperature (°C)	-10 ~ +60
Humidity range (RH)	10% - 90%
Working power (V)	8-18
Driver/OS-Images/BSPs	Android 4.2, Android 4.4, Linux

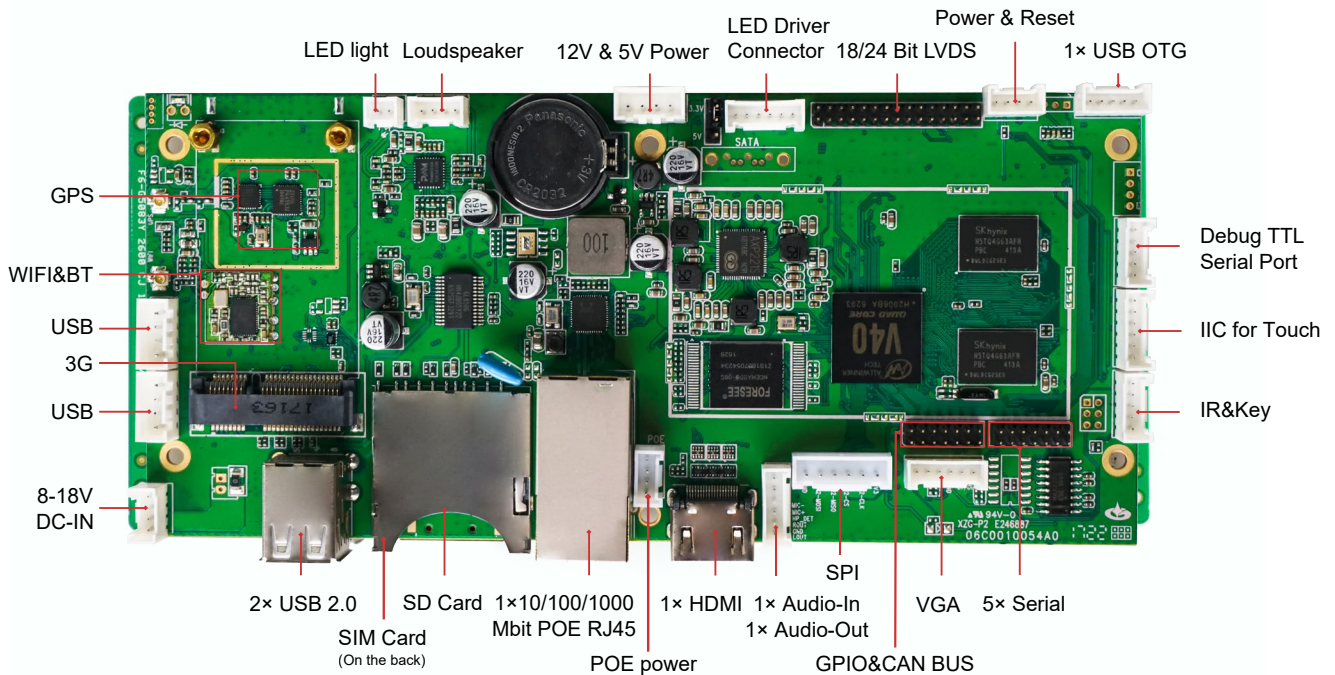
Internal Connectors
1x SD-card
1x SIM-card
2x Serial
4x TTL UART
2x USB 2.0
18/24Bit LVDS
24x GPIO
1x Line-In
1x Line-Out
1x Amplifier for 2x 6W loudspeaker
1x SATA-Port
RTC

External Connectors
8-18V DC-In (screwable)
2x USB 2.0
1x 10/100/1000Mbit RJ45 Ports with connector for POE
1x USB OTG
1x GPIO
1x Audio-In
1x Audio-Out
1x HDMI
1x W-LAN connector

Expansion slots
1x MiniPCle



Embedded V40 Mainboard



At the end of 2013, faytech started its embedded mainboard. Based on the several projects done in 2014, we launched the second version of our embedded mainboard. We currently provide two embedded mainboards- Embedded A20 Mainboard high performance/price, and Embedded V40 Mainboard with outstanding capability.

There are currently two versions for the A20 and V40 mainboards: The standard version with W-LAN and the full version with additional Bluetooth 4.0 (2.0 for A20), GPS, POE Plug-in and OTG port. These are faytech's most cost effective yet powerful Dualcore and Quadcore solutions for Linux or Android based platforms.



Industrial Mainboards

Product name	Embedded Allwinner V40 Mainboard
Article code	FTV40XGYGWBG
Code explanation (after FTV40)	
XG	1G or 2G RAM, 1G Standard
YG	4G to 16G Flash, 8G Standard
W	bgn-WLAN-adapator
B	Bluetooth 4.0 adaptor (optional)
G	GPS-module (optional)
Mainboard Specifications	
Fanless, no moving parts	•
CPU	Allwinner® V40 Cortex™ A7 QuadCore
CPU-Cores	4
CPU-clockspeed	1GHz
Chipset	Cortex A7
Max. TDP (W)	8
Memory (Standard)	1G DDR3 RAM, 8G EMMC Flash
Graphics	ARM® Mali400 Mp2 complies with OpenGL ES 2.0/1.1
Graphics Base Frequency	500 MHz
External maximum showable resolution	1920×1080 @ 60Hz
Audio-Chip	Integrated HI-FI 100dB Audio Codec Dual analog mic, 2x6W amplifier
5.1 Channel High Definition Audio Codec	•
Network	10M/100M/1000M Network, W-LAN
Operating temperature (°C)	-10 ~ +60
Humidity range (RH)	10% - 90%
Working power (V)	8-18
Driver/OS-Images/BSPs	Android 4.4, Android 6.0, Linux

Internal Connectors
1x SD-card
1x SIM-card
3x Serial
4x TTL UART
4x USB 2.0
18/24Bit LVDS
10x GPIO
1x Line-In
1x Line-Out
1x Amplifier for 2x 6W loudspeaker
1x SATA-Port
RTC

External Connectors
8-18V DC-In (screwable)
2x USB 2.0
1x USB OTG
1x Serial
1x 10/100/1000Mbit RJ45 Ports with connector for POE
1x Audio-In
1x Audio-Out
1x HDMI
1x W-LAN connector

Expansion slots
1x MiniPCIe



7-12" Resistive Touch Monitors

faytech's 7" to 12" Touch Monitor Series has numerous detailed improvements including lockable standard connections, a unique cable channeling back cover and mounting frames for machine and wall mount integration. Additionally, each model has shorter starting time and reaction time due to our improved controller chipset.

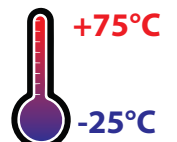
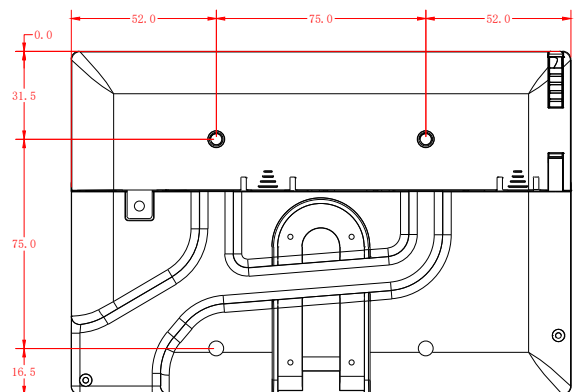
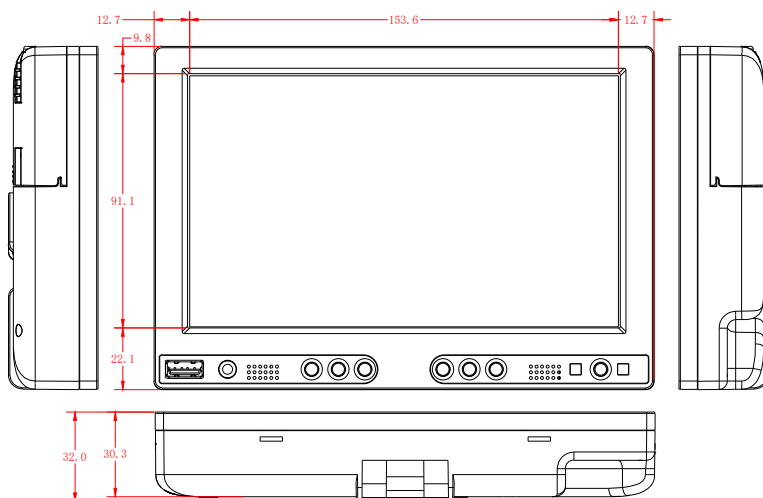
The series retains its rich assortment of features including: LED backlights, 4-wire resistive touch panel, extra robust components, extended current input (8-36V), VGA+HDMI ports, three video inputs, wall mountable, a high-quality stand, and extended temperature range. Each Touch Monitor comes with faytech's 100% guarantee of no defective pixels, and is 24/7 operational.

The high-resolution support (e.g. 1080p, 1920×1200 pixels) of these faytech Touch Monitors make them the perfect choice for a wide variety of applications. Such as using as a surveillance monitor when combined with a HTPC or with security cameras; as control panels in the industrial field; in kiosk systems; as cash monitor or information terminals; for machine control; home automation; on farm machinery; on forklifts in distribution centers; wind turbine controls; telematics in transportation systems and in many other fields.



faytech's 10" Touch Monitor managing the "Cocktail Chef"

7" Resistive Touch Monitor



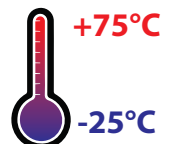
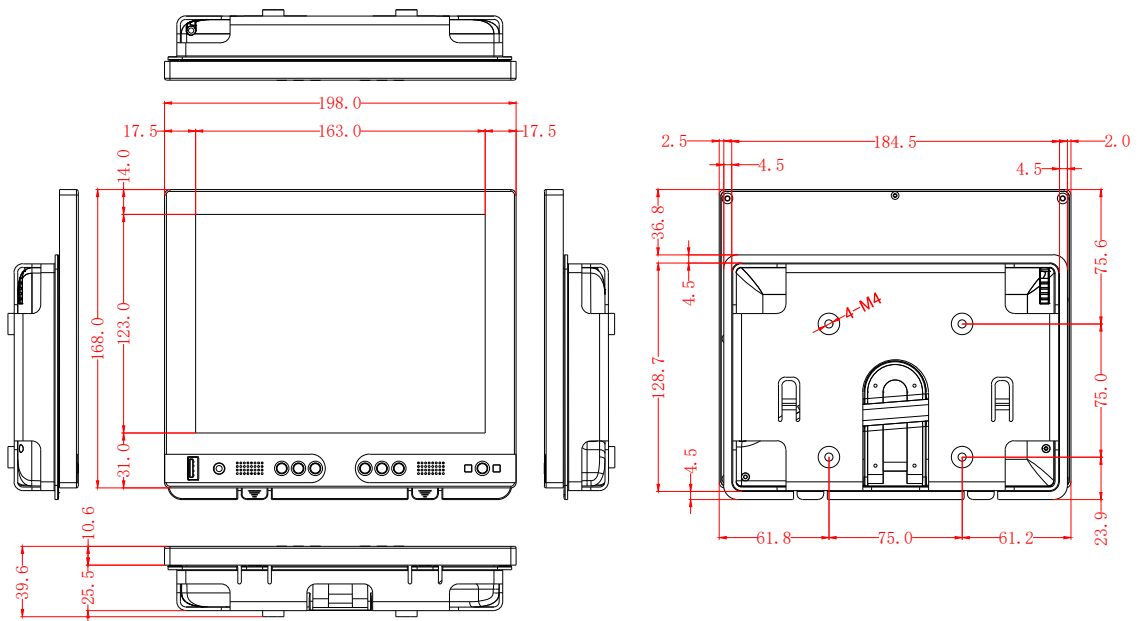
7"-12" Resistive Touch Monitors

Product name	7" Resistive Touch Monitor
Article code / EAN number	FT07TMB / 6920734007110
LCD Panel	
IP rating	IP40
Screen diagonal (Inch/cm)	7/17.78
Display active screen size (cm)	15.36×9.00
Aspect ratio	16:9
Physical resolution	1024×600
Maximum showable resolution	1920×1080
Colours displayed	262K
Brightness (cd/m ²)	500
Contrast	700:1
Typical reaction time Tr/ Tf (ms)	10/15
Visual Angle horizontal/vertical (°)	150/145
Backlight / Backlight Lifetime (hours)	LED / 20,000
Touch Panel	
Touch Technology	4-Wire Resistive
Touch Panel Drivers	Windows; Linux; Mac; Android
Touch Life (Contacts)	1 million touch in 1 location
Surface Hardness	3H
Surface Treatment	Anti-glare
Operation / Mechanical	
Operating Temperature (°C)	-25 ~ +75
Humidity Range (RH)	10% - 90%
Net weight (kg)	0.60
Gross weight (kg)	1.80 (incl. cartonage)
Housing material	Plastic
Housing (cm) L × W × H	17.90 × 12.30 × 3.20
Mounting	VESA 75
Power	
Power Indicator	Green LED
Power Supply	100-240V ACDC active switching; 12V DC-Out
Working Power (V)	8-36
Power Consumption (W)	7
Stand-By Consumption (W)	<1

External Connectors	
Video	1x HDMI 1.3 (incl. HDCP)
	1x VGA
	1x Video1
	1x Video2_Backview
	1x Backview-Detect
	1x YpbPr
Audio	1x VGA-Audio
	1x Video-Audio
	1x Earphone-Out
Touch Connector	1x USB
	1x Serial
Connectors	1x 8-36V DC-In
	1x USB (Front)

Included in the Delivery
Power Supply (see Power section)
Driver DVD
Short Installation Manual
Stylus
Remote Controller
Cables - VGA, USB Touch
Car Adapter
AV Molex 2.5 Connector
faytech FTV75PSF Stand
Mounting Frame
Mounting Rail
Cable Cover

8" Resistive Touch Monitor



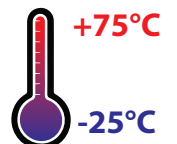
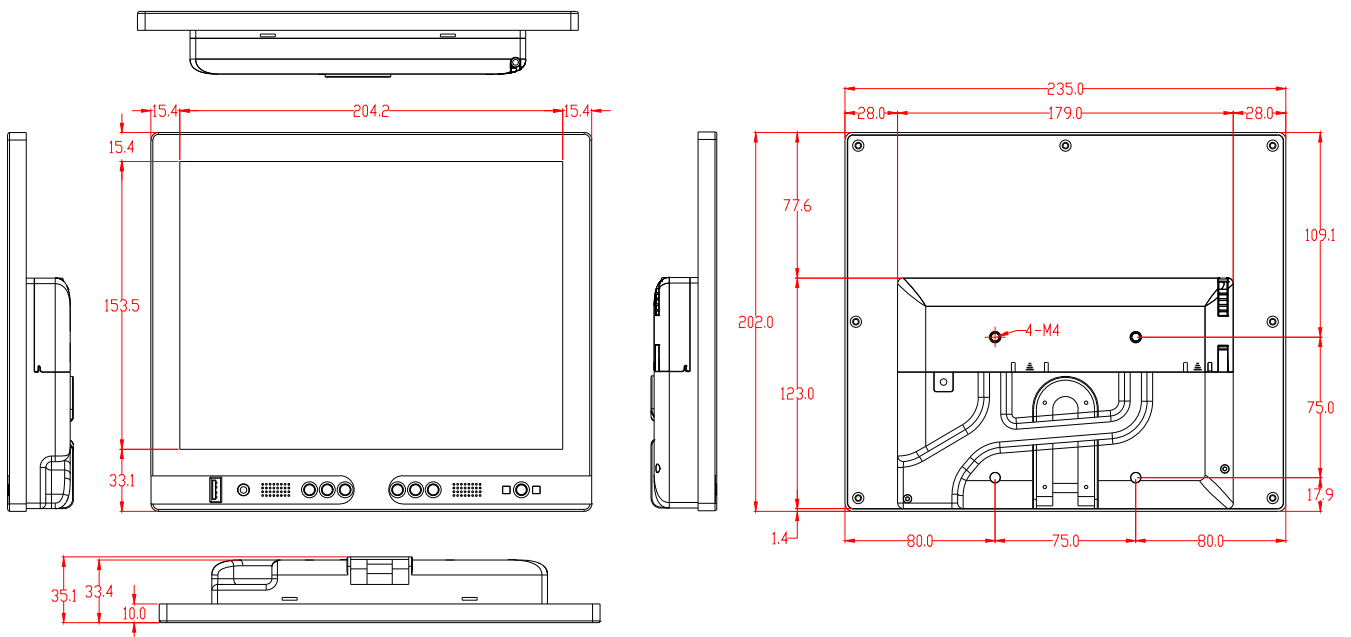
7"-12" Resistive Touch Monitors

Product name	8" Resistive Touch Monitor
Article code / EAN number	FT08TMB / 6920734008117
LCD Panel	
IP rating	IP40
Screen diagonal (Inch/cm)	8/20.32
Display active screen size (cm)	16.2×12.2
Aspect ratio	4:3
Physical resolution	1024×768
Maximum showable resolution	1920×1080
Colours displayed	16.7M
Brightness (cd/m ²)	250
Contrast	700:1
Typical reaction time Tr/ Tf (ms)	6/14
Visual Angle horizontal/vertical (°)	150/150
Backlight / Backlight Lifetime (hours)	LED / 20,000
Touch Panel	
Touch Technology	4-Wire Resistive
Touch Panel Drivers	Windows; Linux; Mac; Android
Touch Life (Contacts)	1 million touch in 1 location
Surface Hardness	3H
Surface Treatment	Anti-glare
Operation / Mechanical	
Operating Temperature (°C)	-25 ~ +75
Humidity Range (RH)	10% - 90%
Net weight (kg)	0.80
Gross weight (kg)	2.05 (incl. cartonage)
Housing material	Plastic
Housing (cm) L × W × H	19.80 × 16.80 × 3.61
Mounting	VESA 75
Power	
Power Indicator	Green LED
Power Supply	100-240V ACDC active switching; 12V DC-Out
Working Power (V)	8-36
Power Consumption (W)	6
Stand-By Consumption (W)	<1

External Connectors	
Video	1x HDMI 1.3 (incl. HDCP)
	1x VGA
	1x Video1
	1x Video2_Backview
	1x Backview-Detect
	1x YpbPr
Audio	1x VGA-Audio
	1x Video-Audio
	1x Earphone-Out
Touch Connector	1x USB
	1x Serial
Connectors	1x 8-36V DC-In
	1x USB (Front)

Included in the Delivery
Power Supply (see Power section)
Driver DVD
Short Installation Manual
Stylus
Remote Controller
Cables - VGA, USB Touch
Car Adapter
AV Molex 2.5 Connector
faytech FTV75PSF Stand
Mounting Frame
Mounting Rail
Cable Cover

10" Resistive Touch Monitor



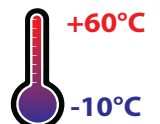
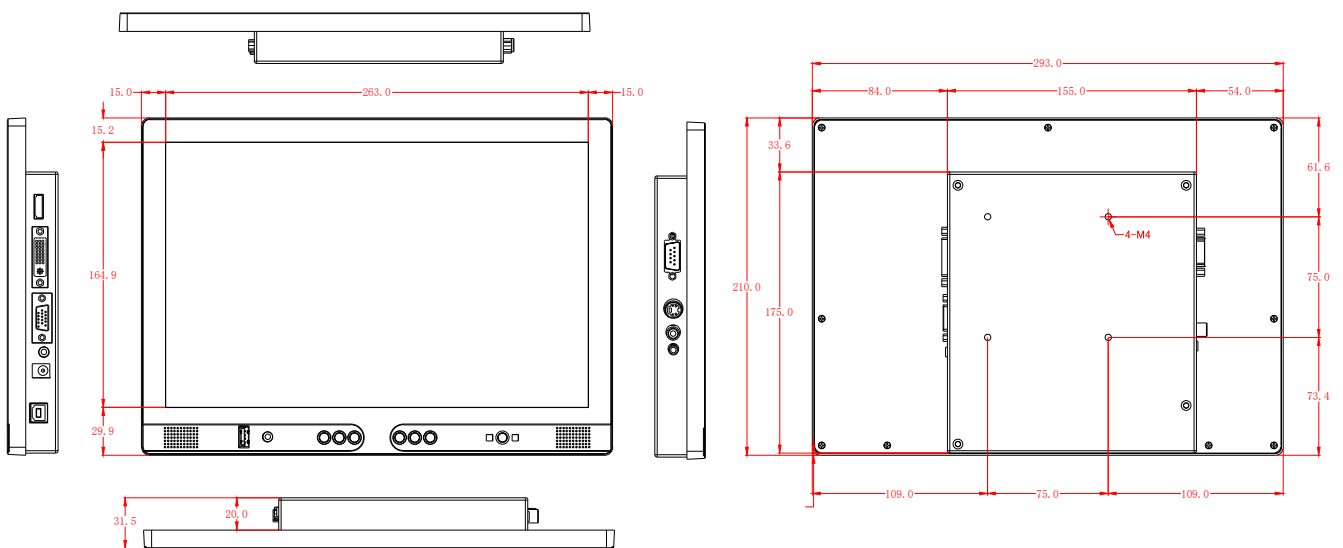
7"-12" Resistive Touch Monitors

Product name	10" Resistive Touch Monitor
Article code / EAN number	FT10TMB / 6920734010110
LCD Panel	
IP rating	IP40
Screen diagonal (Inch/cm)	9.7/24.64
Display active screen size (cm)	19.70×14.70
Aspect ratio	4:3
Physical resolution	1024×768
Maximum showable resolution	1920×1080
Colours displayed	16.7M
Brightness (cd/m ²)	350
Contrast	800:1
Typical reaction time Tr/ Tf (ms)	10/15
Visual Angle horizontal/vertical (°)	170/170
Backlight / Backlight Lifetime (hours)	LED / 20,000
Touch Panel	
Touch Technology	4-Wire Resistive
Touch Panel Drivers	Windows; Linux; Mac; Android
Touch Life (Contacts)	1 million touch in 1 location
Surface Hardness	3H
Surface Treatment	Anti-glare
Operation / Mechanical	
Operating Temperature (°C)	-25 ~ +75
Humidity Range (RH)	10% - 90%
Net weight (kg)	1.20
Gross weight (kg)	2.20 (incl. cartonage)
Housing material	Plastic
Housing (cm) L × W × H	23.50 × 20.20 × 3.51
Mounting	VESA 75
Power	
Power Indicator	Green LED
Power Supply	100-240V ACDC active switching; 12V DC-Out
Working Power (V)	8-36
Power Consumption (W)	8
Stand-By Consumption (W)	<1

External Connectors	
Video	1x HDMI 1.3 (incl. HDCP)
	1x VGA
	1x Video1
	1x Video2_Backview
	1x Backview-Detect
	1x YpbPr
Audio	1x VGA-Audio
	1x Video-Audio
	1x Earphone-Out
Touch Connector	1x USB
	1x Serial
Connectors	1x 8-36V DC-In
	1x USB (Front)

Included in the Delivery
Power Supply (see Power section)
Driver DVD
Short Installation Manual
Stylus
Remote Controller
Cables - VGA, USB Touch
Car Adapter
AV Molex 2.5 Connector
faytech FTV75PSF Stand
Mounting Frame
Mounting Rail
Cable Cover

12.1" Resistive Touch Monitor



7"-12" Resistive Touch Monitors

Product name	12.1" Resistive Touch Monitor
Article code / EAN number	FT121TMB / 6920734012114
LCD Panel	
IP rating	IP40
Screen diagonal (Inch/cm)	12.1/30.73
Display active screen size (cm)	26.10×16.30
Aspect ratio	16:10
Physical resolution	1024×800
Maximum showable resolution	1920×1080
Colours displayed	262K
Brightness (cd/m ²)	300
Contrast	600:1
Typical reaction time Tr/ Tf (ms)	12/13
Visual Angle horizontal/vertical (°)	178/178
Backlight / Backlight Lifetime (hours)	LED / 20,000
Touch Panel	
Touch Technology	5-Wire Resistive
Touch Panel Drivers	Windows; Linux; Mac; Android
Touch Life (Contacts)	10 million touch in 1 location
Surface Hardness	3H
Surface Treatment	Anti-glare
Operation / Mechanical	
Operating Temperature (°C)	-10 ~ +60
Humidity Range (RH)	10% - 90%
Net weight (kg)	1.95
Gross weight (kg)	2.60 (incl. cartonage)
Housing material	Plastic
Housing (cm) L × W × H	29.30 × 21.00 × 3.15
Mounting	VESA 75
Power	
Power Indicator	Green LED
Power Supply	100-240V ACDC active switching; 12V DC-Out
Working Power (V)	12
Power Consumption (W)	10
Stand-By Consumption (W)	<1

External Connectors	
Video	1x HDMI 1.3 (incl. HDCP)
	1x VGA
	1x DVI-D
	1x Video
	1x S-Video
Audio	1x PC-Audio
	1x Video-Audio
	1x Earphone-Out
Touch Connector	1x USB
	1x Serial
Connectors	1x 12V DC-In
	1x USB (Front)

Included in the Delivery
Power Supply (see Power section)
Stylus
Remote Controller
Driver DVD
Short Installation Manual
Cables - VGA, USB Touch, Audio cable
Car Adapter
faytech FTV75PSF Stand

15"-22" Resistive Touch Monitors

faytech's 15" to 22" Touch Monitors make your working process easier and more efficient. These monitors are packed with features and connectors that make them perfect for any industrial or commercial application. Each Touch Monitor is produced using an industrial LCD panel with backlighting (30,000+ hour lifespan), 5-wire resistive touch and anti-glare coating to enhance the user's experience and of course includes faytech's 100% guarantee of no defective pixels. The 15", 17" and 19" models have VGA and DVI-D connectors, with additional S-Video and HDMI connections added to the 22" version. Each monitor comes with its own desktop stand, and screw patterns on the back for VESA 100 mounting, so it can be used in a variety of configurations for industrial and commercial environments.

The high-resolution support (e.g. 1080p, 1920×1200 pixels) of these faytech Touch Monitors make them the perfect choice for a wide variety of applications including use in POS systems, as control panels in the industrial area, in kiosk systems, for machine control, in the office and in many other fields.

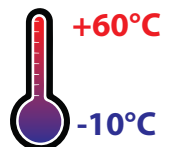
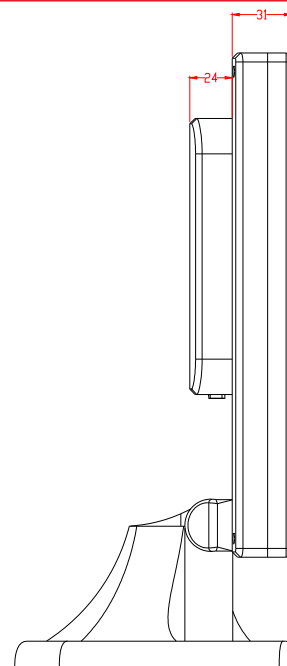
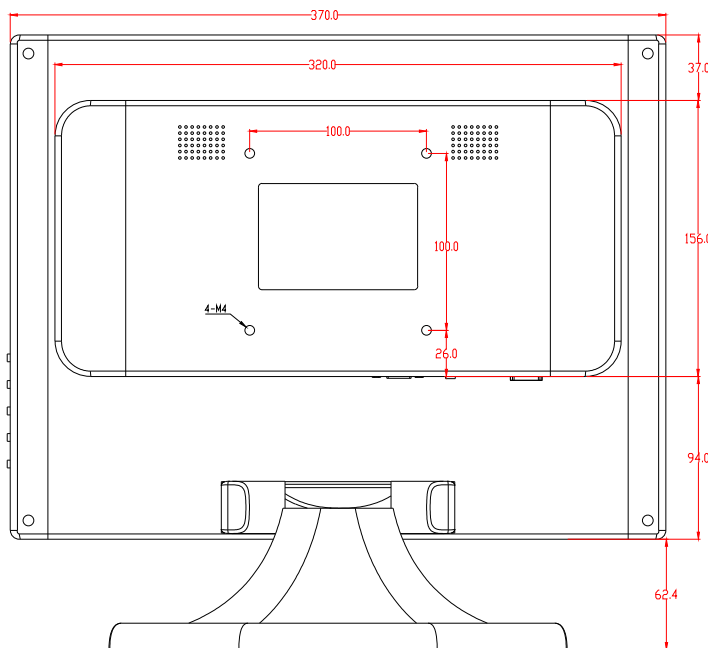
The integrated touch panel is robust and accurate. The touch function is quickly established via the USB port of your PC, and industrial users can connect the touch function through the serial port. faytech includes touchscreen drivers for popular Microsoft (CE, WinXP, Vista), Mac and Linux operating systems. For Win7, 8 and 10 operating systems no driver installation is needed because of the MER4485 chipset used in faytech's in-house designed touch controller. The chipset supports login using a virtual keyboard and the immediate use of windows gestures. This makes starting and using Windows 8 or 10 incredibly easy.

Customization is available for project customers (e.g. higher brightness, brightness sensor, IP protection classes, integrated power supply, webcam, scanners, printers, capacitive and SAW touch panels, etc.)



15" Touch Monitors as parts of a self-serving beer machine

15" Resistive Touch Monitor



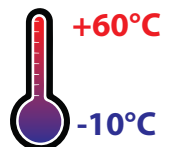
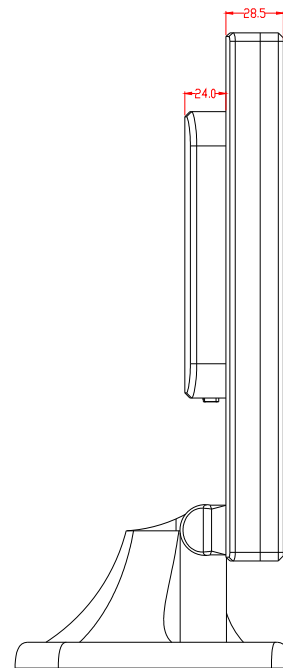
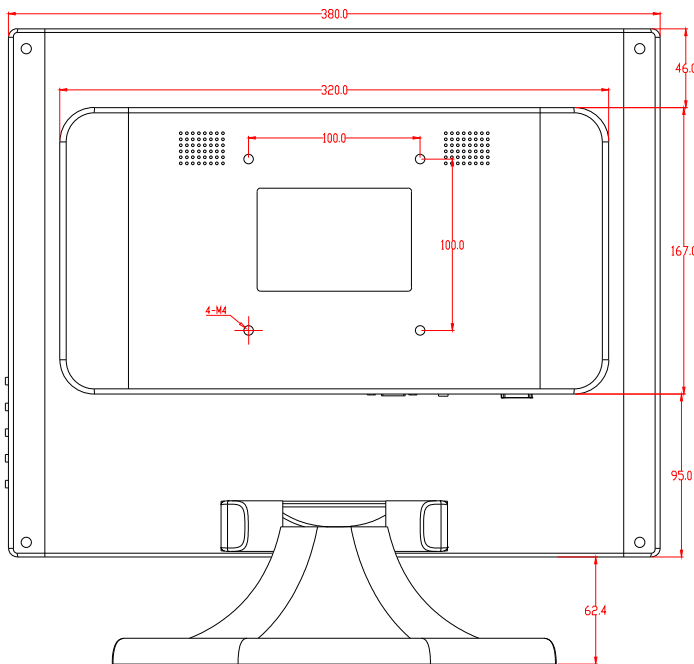
15"-22" Resistive Touch Monitors

Product name	15" Resistive Touch Monitor
Article code / EAN number	FT15TMB / 6920734015115
LCD Panel	
IP rating	IP40
Screen diagonal (Inch/cm)	15/38.10
Display active screen size (cm)	30.40×22.80
Aspect ratio	4:3
Physical resolution	1024×768
Maximum showable resolution	1920×1200
Colours displayed	16.7M
Brightness (cd/m ²)	300
Contrast	700:1
Typical reaction time Tr/ Tf (ms)	8/12
Visual Angle horizontal/vertical (°)	160/160
Backlight / Backlight Lifetime (hours)	LED / 30,000
Touch Panel	
Touch Technology	5-Wire Resistive
Touch Panel Drivers	Windows; Linux; Mac; Android
Touch Life (Contacts)	10 million touch in 1 location
Surface Hardness	3H
Surface Treatment	Anti-glare
Operation / Mechanical	
Operating Temperature (°C)	-10 ~ +60
Humidity Range (RH)	10% - 90%
Net weight (kg)	3.00
Gross weight (kg)	5.00 (incl. cartonage)
Housing material	Plastic
Housing (cm) L × W × H	37.00 × 28.70 × 5.50
Mounting	VESA 100
Power	
Power Indicator	Green LED
Power Supply	100-240V ACDC active switching; 12V DC-Out
Working Power (V)	12
Power Consumption (W)	15
Stand-By Consumption (W)	<1

External Connectors	
Video	1x VGA
	1x DVI-D
Audio	1x Audio-In
Touch Connector	1x USB
	1x Serial
Connectors	1x 12V DC-In

Included in the Delivery
Power Supply (see Power section)
Stylus
Driver DVD
Short Installation Manual
Cables - VGA, USB Touch, Audio Cable
Standard Stand

17" Resistive Touch Monitor



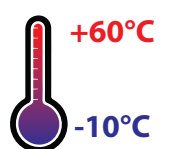
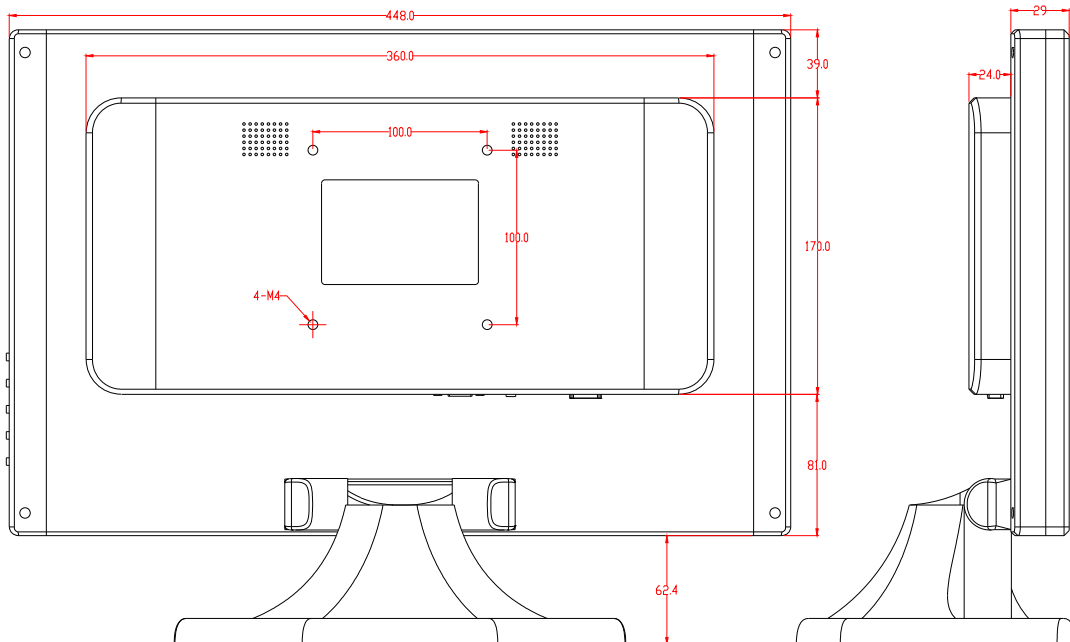
15"-22" Resistive Touch Monitors

Product name	17" Resistive Touch Monitor
Article code / EAN number	FT17TMB / 6920734017119
LCD Panel	
IP rating	IP40
Screen diagonal (Inch/cm)	17/43.18
Display active screen size (cm)	33.79×27.04
Aspect ratio	5:4
Physical resolution	1280×1024
Maximum showable resolution	1920×1200
Colours displayed	16.7M
Brightness (cd/m ²)	250
Contrast	1000:1
Typical reaction time Tr/ Tf (ms)	3.8/1.2
Visual Angle horizontal/vertical (°)	170/160
Backlight / Backlight Lifetime (hours)	LED / 30,000
Touch Panel	
Touch Technology	5-Wire Resistive
Touch Panel Drivers	Windows; Linux; Mac; Android
Touch Life (Contacts)	10 million touch in 1 location
Surface Hardness	3H
Surface Treatment	Anti-glare
Operation / Mechanical	
Operating Temperature (°C)	-10 ~ +60
Humidity Range (RH)	10% - 90%
Net weight (kg)	4.85
Gross weight (kg)	5.85 (incl. cartonage)
Housing material	Plastic
Housing (cm) L × W × H	38.00 × 30.80 × 5.25
Mounting	VESA 100
Power	
Power Indicator	Green LED
Power Supply	100-240V ACDC active switching; 12V DC-Out
Working Power (V)	12
Power Consumption (W)	15
Stand-By Consumption (W)	<1

External Connectors	
Video	1x VGA
	1x DVI-D
Audio	1x Audio-In
Touch Connector	1x USB
	1x Serial
Connectors	1x 12V DC-In

Included in the Delivery
Power Supply (see Power section)
Stylus
Driver DVD
Short Installation Manual
Cables - VGA, USB Touch, Audio Cable
Standard Stand

19" Resistive Touch Monitor



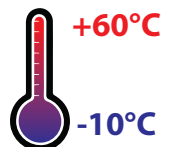
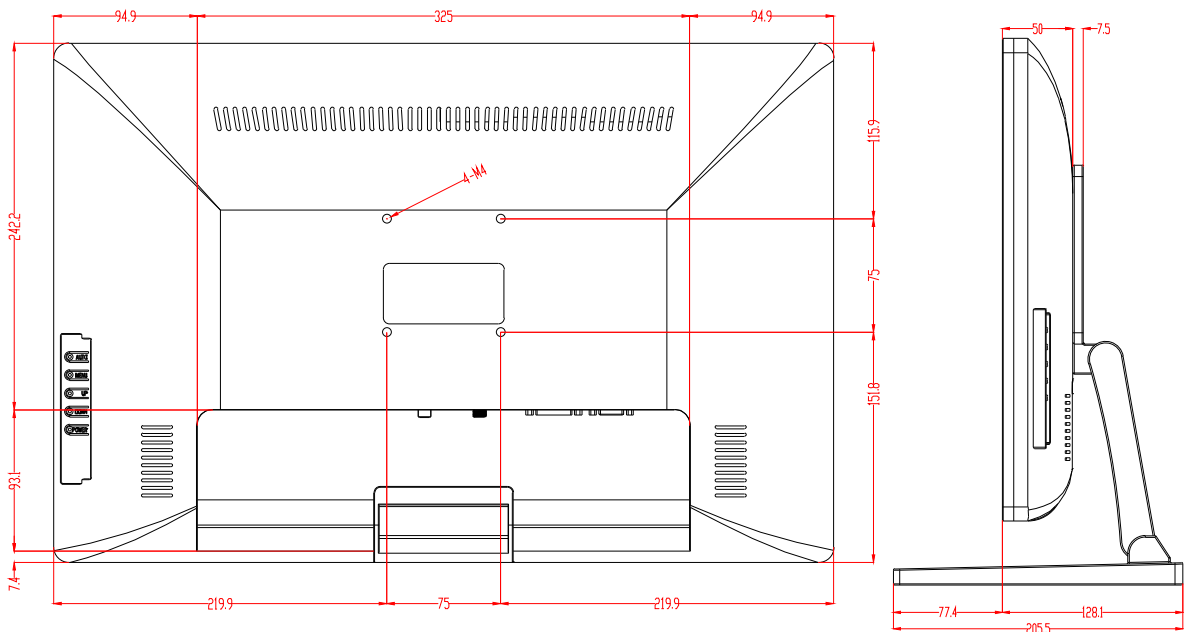
15"-22" Resistive Touch Monitors

Product name	19" Resistive Touch Monitor
Article code / EAN number	FT19TMB / 6920734019113
LCD Panel	
IP rating	IP40
Screen diagonal (Inch/cm)	19/48.26
Display active screen size (cm)	41.22×25.91
Aspect ratio	16:10
Physical resolution	1440×900
Maximum showable resolution	1920×1200
Colours displayed	16.7M
Brightness (cd/m ²)	250
Contrast	1000:1
Typical reaction time Tr/ Tf (ms)	1.5/3.5
Visual Angle horizontal/vertical (°)	170/160
Backlight / Backlight Lifetime (hours)	LED / 30,000
Touch Panel	
Touch Technology	5-Wire Resistive
Touch Panel Drivers	Windows; Linux; Mac; Android
Touch Life (Contacts)	10 million touch in 1 location
Surface Hardness	3H
Surface Treatment	Anti-glare
Operation / Mechanical	
Operating Temperature (°C)	-10 ~ +60
Humidity Range (RH)	10% - 90%
Net weight (kg)	4.98
Gross weight (kg)	6.60 (incl. cartonage)
Housing material	Plastic
Housing (cm) L × W × H	44.80 × 29.00 × 5.30
Mounting	VESA 100
Power	
Power Indicator	Green LED
Power Supply	100-240V ACDC active switching; 12V DC-Out
Working Power (V)	12
Power Consumption (W)	20
Stand-By Consumption (W)	<1

External Connectors	
Video	1x VGA
	1x DVI-D
Audio	1x Audio-In
Touch Connector	1x USB
	1x Serial
Connectors	1x 12V DC-In

Included in the Delivery
Power Supply (see Power section)
Stylus
Driver DVD
Short Installation Manual
Cables - VGA, USB Touch, Audio Cable
Standard Stand

22" Resistive Touch Monitor



15"-22" Resistive Touch Monitors

Product name	22" Resistive Touch Monitor
Article code / EAN number	FT22TMB / 6920734022113
LCD Panel	
IP rating	IP40
Screen diagonal (Inch/cm)	22/55.88
Display active screen size (cm)	47.74×29.98
Aspect ratio	16:10
Physical resolution	1680×1050
Maximum showable resolution	1920×1200
Colours displayed	16.7M
Brightness (cd/m ²)	250
Contrast	1000:1
Typical reaction time Tr/ Tf (ms)	1.3/3.7
Visual Angle horizontal/vertical (°)	170/160
Backlight / Backlight Lifetime (hours)	LED / 40,000
Touch Panel	
Touch Technology	5-Wire Resistive
Touch Panel Drivers	Windows; Linux; Mac; Android
Touch Life (Contacts)	10 million touch in 1 location
Surface Hardness	3H
Surface Treatment	Anti-glare
Operation / Mechanical	
Operating Temperature (°C)	-10 ~ +60
Humidity Range (RH)	10% - 90%
Net weight (kg)	5.75
Gross weight (kg)	7.90 (incl. cartonage)
Housing material	Plastic
Housing (cm) L × W × H	51.48 × 34.27 × 5.00
Mounting	VESA 100
Power	
Power Indicator	Green LED
Power Supply	100-240V ACDC active switching; 12V DC-Out
Working Power (V)	12
Power Consumption (W)	24
Stand-By Consumption (W)	<1

External Connectors	
Video	1x VGA
	1x DVI-D
	1x Video
	1x S-Video
	1x HDMI 1.3 (incl. HDCP)
Audio	1x PC-Audio
	1x Video-Audio
Touch Connector	1x USB
Connectors	1x 12V DC-In

Included in the Delivery
Power Supply (see Power section)
Stylus
Driver DVD
Short Installation Manual
Cables - VGA, USB Touch, Audio Cable
Standard Stand

7"-22" Capacitive Touch Monitors

faytech's Capacitive Touch Monitor series has a modern sleek look with its flat edge to edge glass front panels, and a patented silicone rubberized seal making the front panels IP65 water- and dust proof.

This new series comes with capacitive 10-finger multitouch, glass front reaching MoSH 7, the glass surface is anti glare treated (chemical etched), a wide variety of connectors including USB-B for touch, HDMI, DVI-D, VGA and audio inputs, all lockable including the DC-In. Each capacitive Touch Monitor has an A+ industrial LCD panel backed by faytech's 100% no dead pixel guarantee. Each monitor from 13.3" and up comes with its own desktop stand, and screw patterns on the back for VESA 100 mounts.

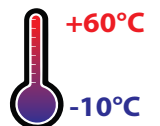
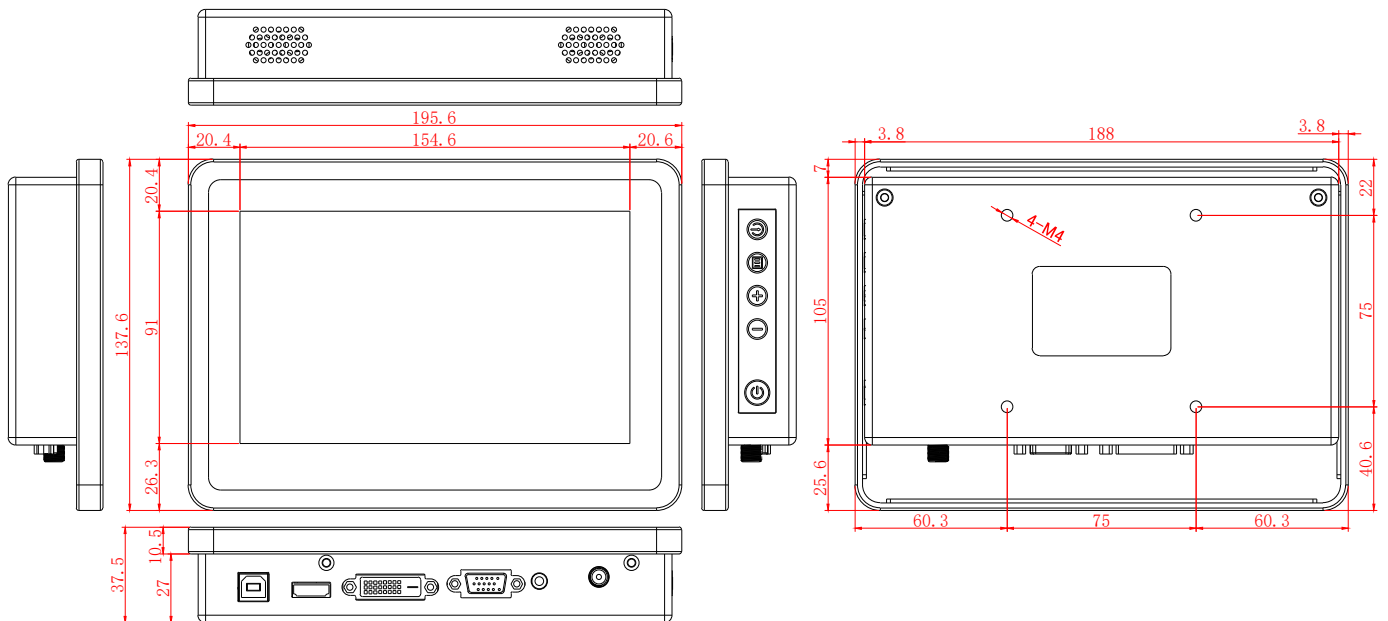
The high resolution support (e.g. 768p, 1920x1200 pixels) of these faytech touch devices make them the perfect choice for a wide variety of applications including POS systems, as control panels in industrial fields, in kiosk systems, for office/residence automation and many other areas.

The projected 10-point capacitive touch panel is accurate and responsive. The touch function is quickly established when connected via USB port. faytech includes touch drivers for popular OS (Win CE, XP, Vista, 7, 8, 10), Mac, Android and Linux. Normally, no touch driver needed for Win 7, 8 and 10. The virtual keyboard and Windows gesture makes Windows convenient to use. Besides, embedded systems, such as Raspberry Pi, are supported as well.



10.1" Capacitive Touch Monitor as the control unit of a CNC milling machine

7" Capacitive Touch Monitor



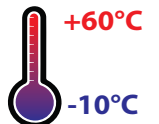
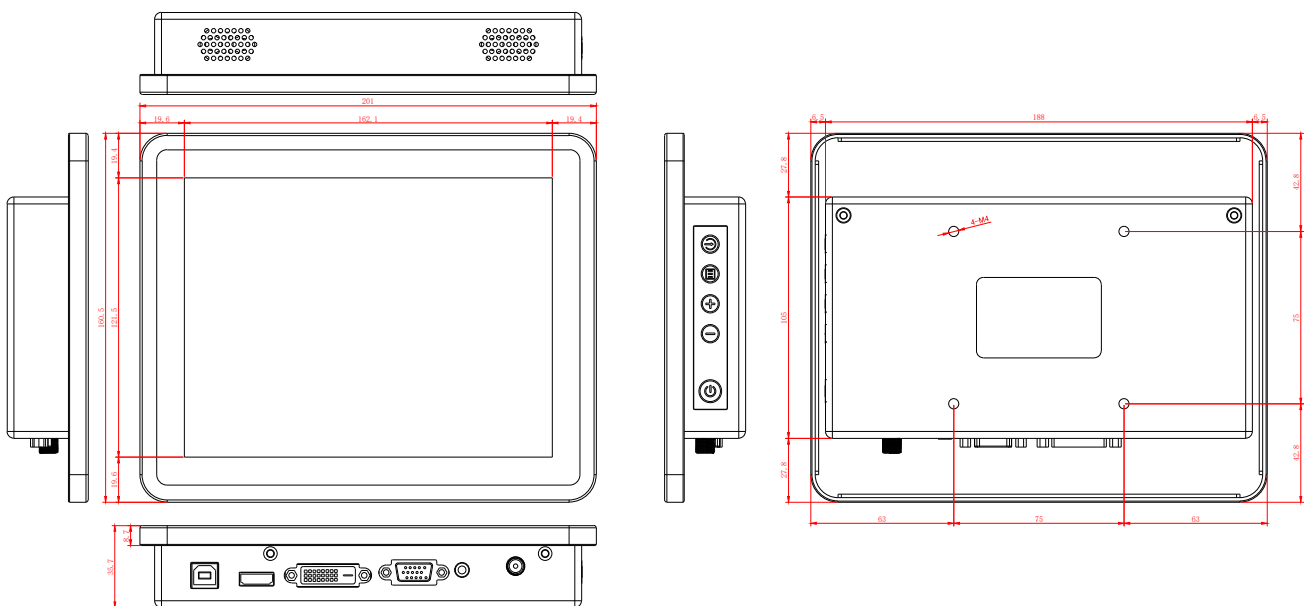
7"-22" Capacitive Touch Monitors

Product name	7" Capacitive Touch Monitor
Article code / EAN number	FT07TMBCAP / 6920734007103
LCD Panel	
IP rating	IP65 Front / IP40 Back
Screen diagonal (Inch/cm)	7/17.78
Display active screen size (cm)	15.36×9.00
Aspect ratio	16:9
Physical resolution	1024×600
Maximum showable resolution	1920×1080
Colours displayed	262K
Brightness (cd/m ²)	500
Contrast	700:1
Typical reaction time Tr/ Tf (ms)	10/15
Visual Angle horizontal/vertical (°)	150/145
Backlight / Backlight Lifetime (hours)	LED / 20,000
Touch Panel	
Touch Technology	Projected Capacitive 10-point Multitouch
Touch Panel Drivers	Windows; Linux; Mac; Android
Touch Life (Contacts)	Unlimited
Surface Hardness	7H
Operation / Mechanical	
Operating Temperature (°C)	-10 ~ +60
Humidity Range (RH)	10% - 90%
Net weight (kg)	0.60
Gross weight (kg)	1.80 (incl. cartilage)
Housing material	Rubber front case, Plastic back case
Housing (cm) L × W × H	19.56 × 13.76 × 3.75
Mounting	VESA 75
Power	
Power Indicator	Green LED
Power Supply	100-240V ACDC active switching; 12V DC-Out
Working Power (V)	12
Power Consumption (W)	7
Stand-By Consumption (W)	<1

External Connectors	
Video	1x VGA
	1x DVI-D
	1x HDMI 1.3 (incl. HDCP)
Audio	1x PC-Audio
Touch Connector	1x USB
Connectors	1x 12V DC-In

Included in the Delivery
Power Supply (see Power section)
Driver DVD
Short Installation Manual
Cables - VGA, USB Touch, Audio Cable

8" Capacitive Touch Monitor



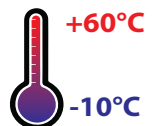
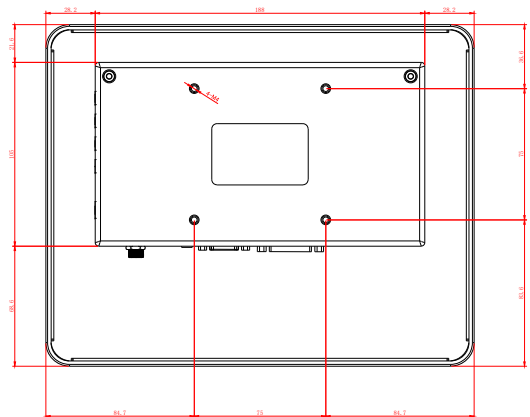
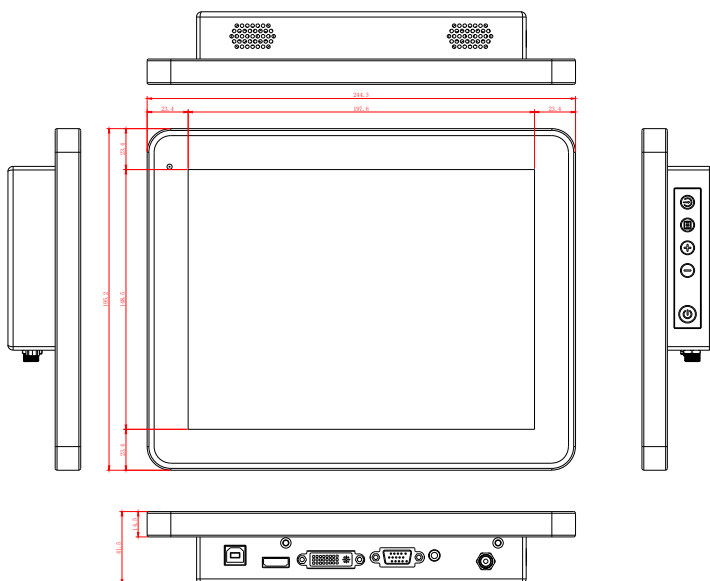
7"-22" Capacitive Touch Monitors

Product name	8" Capacitive Touch Monitor
Article code / EAN number	FT08TMBCAP / 6920734008100
LCD Panel	
IP rating	IP65 Front / IP40 Back
Screen diagonal (Inch/cm)	8/20.32
Display active screen size (cm)	16.20×12.20
Aspect ratio	4:3
Physical resolution	1024×768
Maximum showable resolution	1920×1080
Colours displayed	16.7M
Brightness (cd/m ²)	250
Contrast	700:1
Typical reaction time Tr/ Tf (ms)	6/14
Visual Angle horizontal/vertical (°)	150/150
Backlight / Backlight Lifetime (hours)	LED / 20,000
Touch Panel	
Touch Technology	Projected Capacitive 10-point Multitouch
Touch Panel Drivers	Windows; Linux; Mac; Android
Touch Life (Contacts)	Unlimited
Surface Hardness	7H
Operation / Mechanical	
Operating Temperature (°C)	-10 ~ +60
Humidity Range (RH)	10% - 90%
Net weight (kg)	0.75
Gross weight (kg)	2.00 (incl. cartonage)
Housing material	Rubber front case, Plastic back case
Housing (cm) L × W × H	20.10 × 16.05 × 3.57
Mounting	VESA 75
Power	
Power Indicator	Green LED
Power Supply	100-240V ACDC active switching; 12V DC-Out
Working Power (V)	12
Power Consumption (W)	6
Stand-By Consumption (W)	<1

External Connectors	
Video	1x VGA
	1x DVI-D
	1x HDMI 1.3 (incl. HDCP)
Audio	1x PC-Audio
Touch Connector	1x USB
Connectors	1x 12V DC-In

Included in the Delivery
Power Supply (see Power section)
Driver DVD
Short Installation Manual
Cables - VGA, USB Touch, Audio Cable

10" Capacitive Touch Monitor



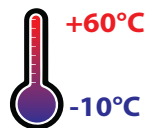
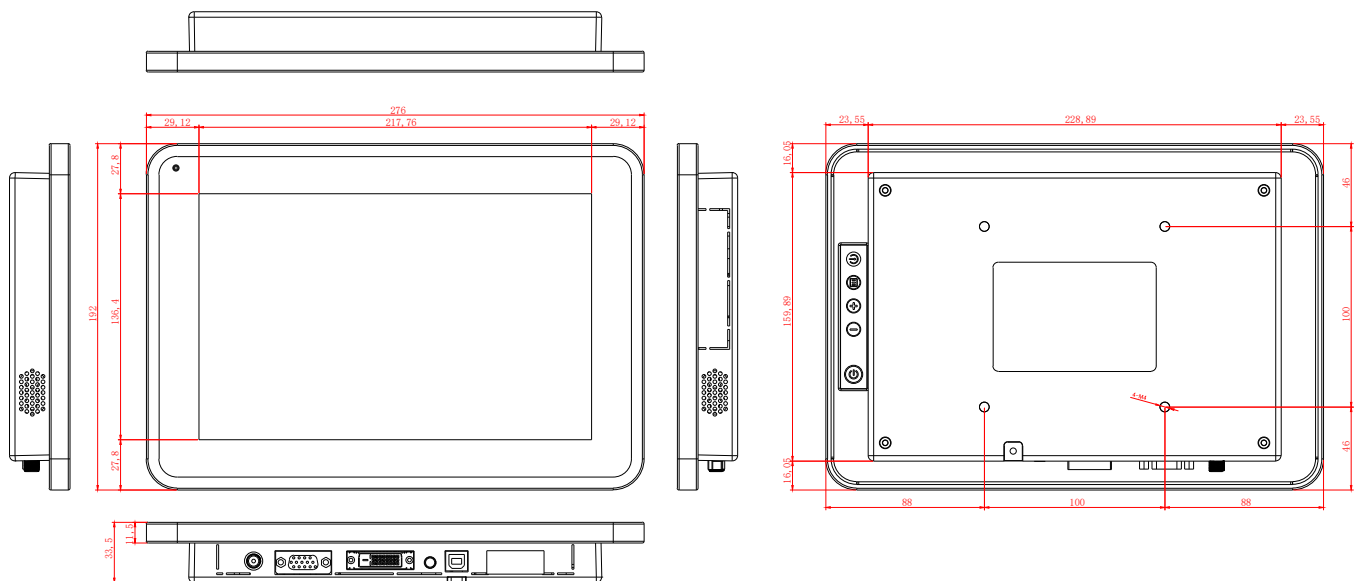
7"-22" Capacitive Touch Monitors

Product name	10" Capacitive Touch Monitor
Article code / EAN number	FT10TMBCAP / 6920734010103
LCD Panel	
IP rating	IP65 Front / IP40 Back
Screen diagonal (Inch/cm)	9.7/24.64
Display active screen size (cm)	19.7×14.7
Aspect ratio	4:3
Physical resolution	1024×768
Maximum showable resolution	1920×1080
Colours displayed	16.7M
Brightness (cd/m ²)	350
Contrast	800:1
Typical reaction time Tr/ Tf (ms)	10/15
Visual Angle horizontal/vertical (°)	170/170
Backlight / Backlight Lifetime (hours)	LED / 20,000
Touch Panel	
Touch Technology	Projected Capacitive 10-point Multitouch
Touch Panel Drivers	Windows; Linux; Mac; Android
Touch Life (Contacts)	Unlimited
Surface Hardness	7H
Surface Treatment	Anti-glare (chemical etched)
Operation / Mechanical	
Operating Temperature (°C)	-10 ~ +60
Humidity Range (RH)	10% - 90%
Net weight (kg)	0.90
Gross weight (kg)	2.20 (incl. cartilage)
Housing material	Rubber front case, Plastic back case
Housing (cm) L × W × H	24.43 × 19.52 × 4.15
Mounting	VESA 75
Power	
Power Indicator	Green LED
Power Supply	100-240V ACDC active switching; 12V DC-Out
Working Power (V)	12
Power Consumption (W)	8
Stand-By Consumption (W)	<1

External Connectors	
Video	1x VGA
	1x DVI-D
	1x HDMI 1.3 (incl. HDCP)
Audio	1x PC-Audio
Touch Connector	1x USB
Connectors	1x 12V DC-In

Included in the Delivery
Power Supply (see Power section)
Driver DVD
Short Installation Manual
Cables - VGA, USB Touch, Audio Cable

10.1" Capacitive Touch Monitor



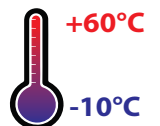
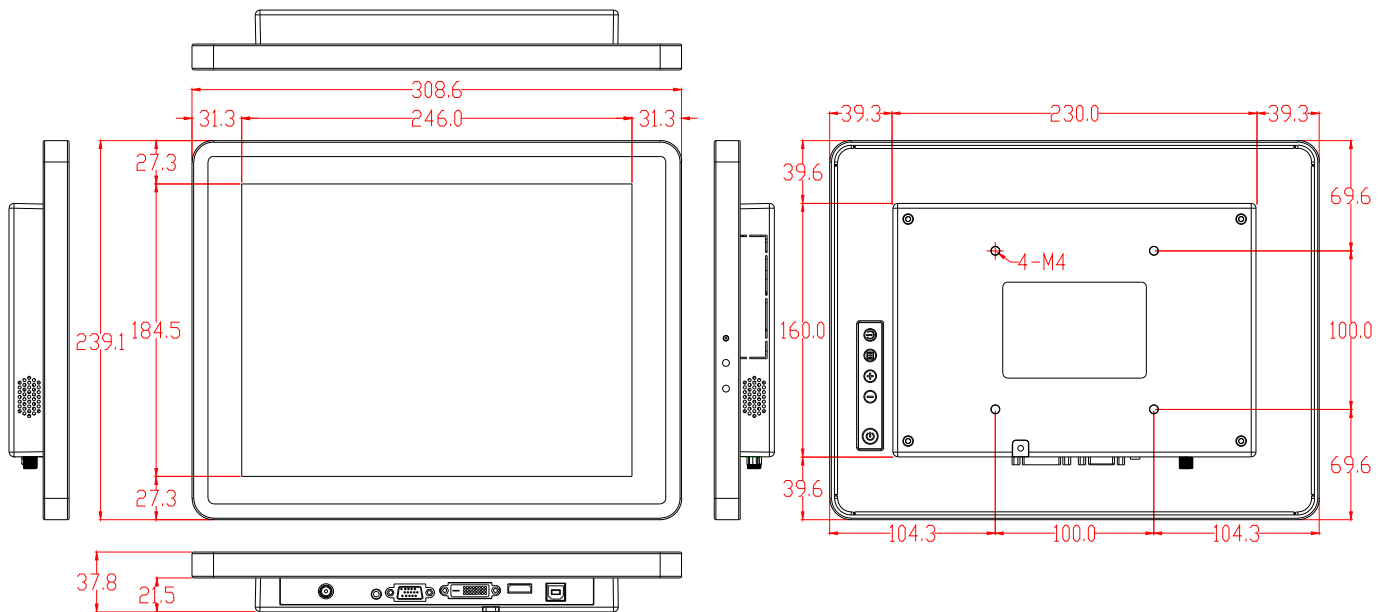
7"-22" Capacitive Touch Monitors

Product name	10.1" Capacitive Touch Monitor
Article code / EAN number	FT101TMBCAP / 6920734010141
LCD Panel	
IP rating	IP65 Front / IP40 Back
Screen diagonal (Inch/cm)	10.1/25.65
Display active screen size (cm)	21.70×13.60
Aspect ratio	16:10
Physical resolution	1280×800
Maximum showable resolution	1920×1080
Colours displayed	16.7M
Brightness (cd/m ²)	350
Contrast	800:1
Typical reaction time Tr/ Tf (ms)	10/15
Visual Angle horizontal/vertical (°)	170/170
Backlight / Backlight Lifetime (hours)	LED / 20,000
Touch Panel	
Touch Technology	Projected Capacitive 10-point Multitouch
Touch Panel Drivers	Windows; Linux; Mac; Android
Touch Life (Contacts)	Unlimited
Surface Hardness	7H
Surface Treatment	Anti-glare (chemical etched)
Operation / Mechanical	
Operating Temperature (°C)	-10 ~ +60
Humidity Range (RH)	10% - 90%
Net weight (kg)	0.95
Gross weight (kg)	2.20 (incl. cartilage)
Housing material	Rubber front case, Plastic back case
Housing (cm) L × W × H	27.60 × 19.20 × 3.35
Mounting	VESA 100
Power	
Power Indicator	Green LED
Power Supply	100-240V ACDC active switching; 12V DC-Out
Working Power (V)	12
Power Consumption (W)	10
Stand-By Consumption (W)	<1

External Connectors	
Video	1x VGA
	1x DVI-D
Audio	1x PC-Audio
Touch Connector	1x USB
Connectors	1x 12V DC-In

Included in the Delivery
Power Supply (see Power section)
Driver DVD
Short Installation Manual
Cables - VGA, USB Touch, Audio Cable

12.1" Capacitive Touch Monitor



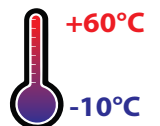
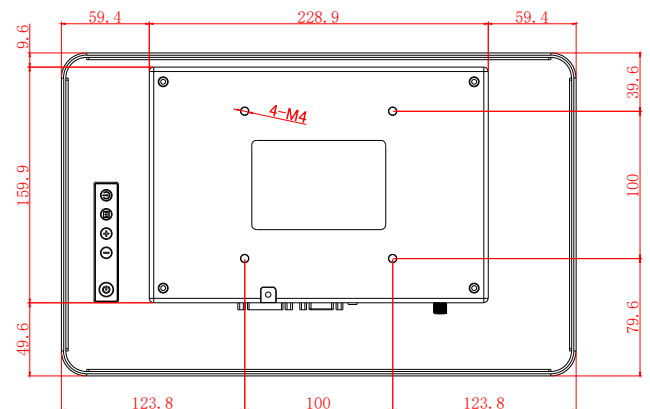
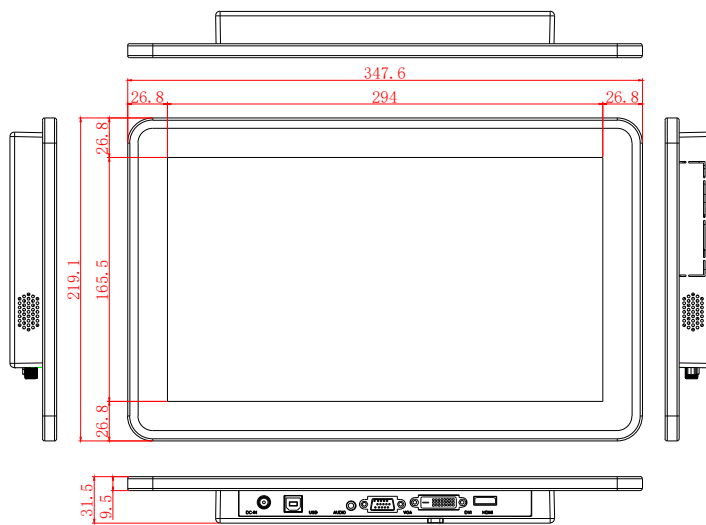
7"-22" Capacitive Touch Monitors

Product name	12.1" Capacitive Touch Monitor
Article code / EAN number	FT12TMBCAP / 6920734012107
LCD Panel	
IP rating	IP65 Front / IP40 Back
Screen diagonal (Inch/cm)	12.1/30.73
Display active screen size (cm)	24.60×18.40
Aspect ratio	4:3
Physical resolution	1024×768
Maximum showable resolution	1920×1080
Colours displayed	16.7M
Brightness (cd/m ²)	500
Contrast	700:1
Typical reaction time Tr/ Tf (ms)	25/10
Visual Angle horizontal/vertical (°)	160/160
Backlight / Backlight Lifetime (hours)	LED / 30,000
Touch Panel	
Touch Technology	Projected Capacitive 10-point Multitouch
Touch Panel Drivers	Windows; Linux; Mac; Android
Touch Life (Contacts)	Unlimited
Surface Hardness	7H
Surface Treatment	Anti-glare (chemical etched)
Operation / Mechanical	
Operating Temperature (°C)	-10 ~ +60
Humidity Range (RH)	10% - 90%
Net weight (kg)	1.20
Gross weight (kg)	2.20 (incl. cartilage)
Housing material	Rubber front case, Plastic back case
Housing (cm) L × W × H	30.86 × 23.91 × 3.78
Mounting	VESA 100
Power	
Power Indicator	Green LED
Power Supply	100-240V ACDC active switching; 12V DC-Out
Working Power (V)	12
Power Consumption (W)	12
Stand-By Consumption (W)	<1

External Connectors	
Video	1x VGA
	1x DVI-D
	1x HDMI 1.3 (incl. HDCP)
Audio	1x PC-Audio
Touch Connector	1x USB
Connectors	1x 12V DC-In

Included in the Delivery
Power Supply (see Power section)
Driver DVD
Short Installation Manual
Cables - VGA, USB Touch, Audio Cable

13.3" Capacitive Touch Monitor



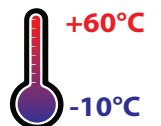
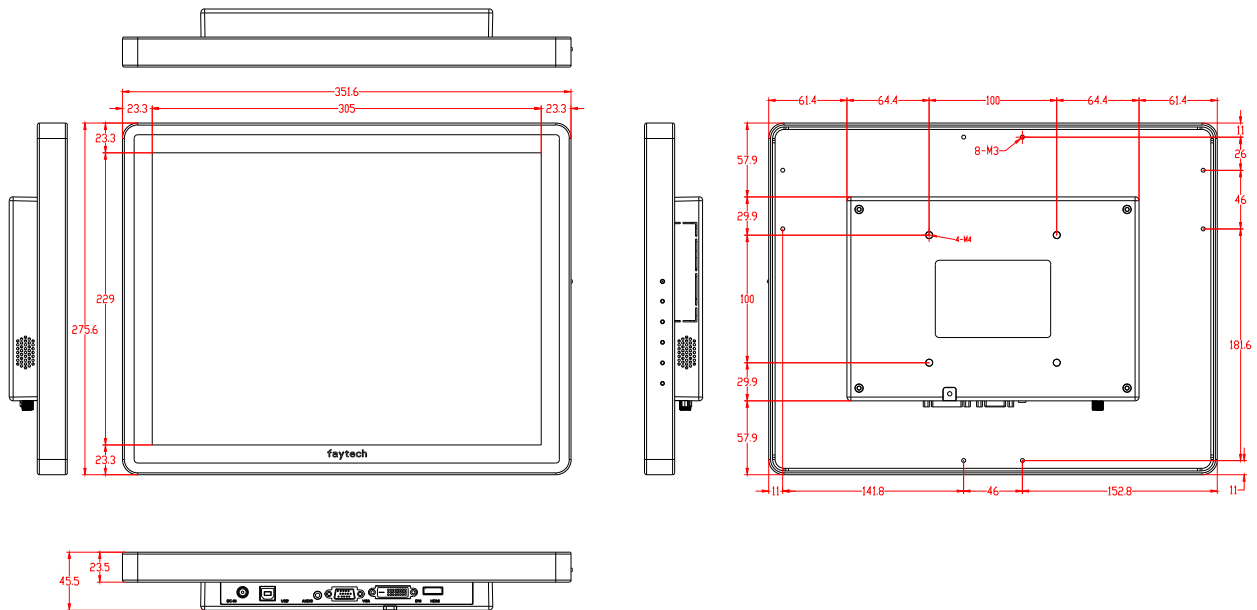
7"-22" Capacitive Touch Monitors

Product name	13.3" Capacitive Touch Monitor
Article code / EAN number	FT133TMBCAP / 6920734013104
LCD Panel	
IP rating	IP65 Front / IP40 Back
Screen diagonal (Inch/cm)	13.3/33.78
Display active screen size (cm)	29.37×16.52
Aspect ratio	16:9
Physical resolution	1920×1080
Maximum showable resolution	1920×1080
Colours displayed	16.7M
Brightness (cd/m ²)	350
Contrast	700:1
Typical reaction time Tr/ Tf (ms)	14/11
Visual Angle horizontal/vertical (°)	178/178
Backlight / Backlight Lifetime (hours)	LED / min. 15,000
Touch Panel	
Touch Technology	Projected Capacitive 10-point Multitouch
Touch Panel Drivers	Windows; Linux; Mac; Android
Touch Life (Contacts)	Unlimited
Surface Hardness	7H
Surface Treatment	Anti-glare (chemical etched)
Operation / Mechanical	
Operating Temperature (°C)	-10 ~ +60
Humidity Range (RH)	10% - 90%
Net weight (kg)	1.50
Gross weight (kg)	3.50 (incl. cartilage)
Housing material	Rubber front case, Plastic back case
Housing (cm) L × W × H	34.76 × 21.91 × 3.15
Mounting	VESA 100
Power	
Power Indicator	Green LED
Power Supply	100-240V ACDC active switching; 12V DC-Out
Working Power (V)	12
Power Consumption (W)	12
Stand-By Consumption (W)	<1

External Connectors	
Video	1x VGA
	1x DVI-D
	1x HDMI 1.3 (incl. HDCP)
Audio	1x PC-Audio
Touch Connector	1x USB
Connectors	1x 12V DC-In

Included in the Delivery
Power Supply (see Power section)
Driver DVD
Short Installation Manual
Cables - VGA, USB Touch, Audio Cable
Standard Stand

15" Capacitive Touch Monitor



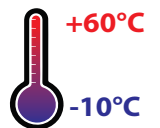
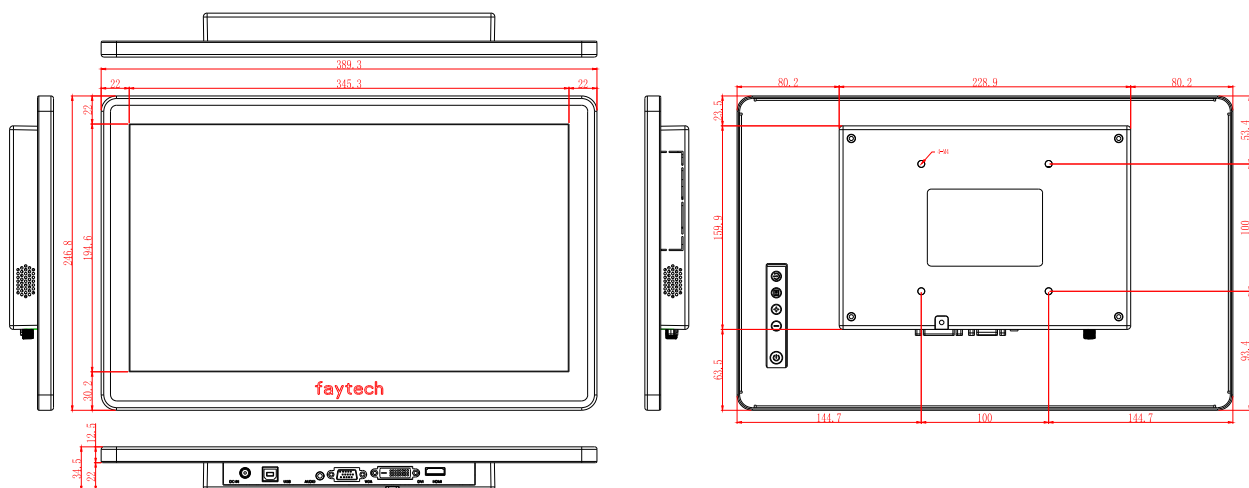
7"-22" Capacitive Touch Monitors

Product name	15" Capacitive Touch Monitor
Article code / EAN number	FT15TMBCAP / 6920734015146
LCD Panel	
IP rating	IP65 Front / IP40 Back
Screen diagonal (Inch/cm)	15/38.10
Display active screen size (cm)	30.40×22.80
Aspect ratio	4:3
Physical resolution	1024×768
Maximum showable resolution	1920×1200
Colours displayed	16.7M
Brightness (cd/m ²)	300
Contrast	700:1
Typical reaction time Tr/ Tf (ms)	8/12
Visual Angle horizontal/vertical (°)	160/160
Backlight / Backlight Lifetime (hours)	LED / 30,000
Touch Panel	
Touch Technology	Projected Capacitive 10-point Multitouch
Touch Panel Drivers	Windows; Linux; Mac; Android
Touch Life (Contacts)	Unlimited
Surface Hardness	7H
Surface Treatment	Anti-glare (chemical etched)
Operation / Mechanical	
Operating Temperature (°C)	-10 ~ +60
Humidity Range (RH)	10% - 90%
Net weight (kg)	4.10
Gross weight (kg)	5.10 (incl. cartonage)
Housing material	Rubber front case, Plastic back case
Housing (cm) L × W × H	35.16 × 27.56 × 4.55
Mounting	VESA 100
Power	
Power Indicator	Green LED
Power Supply	100-240V ACDC active switching; 12V DC-Out
Working Power (V)	12
Power Consumption (W)	15
Stand-By Consumption (W)	<1

External Connectors	
Video	1x VGA
	1x DVI-D
	1x HDMI 1.3 (incl. HDCP)
Audio	1x PC-Audio
Touch Connector	1x USB
Connectors	1x 12V DC-In

Included in the Delivery
Power Supply (see Power section)
Driver DVD
Short Installation Manual
Cables - VGA, USB Touch, Audio Cable
Standard Stand

15.6" Capacitive Touch Monitor



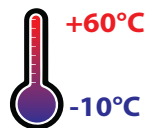
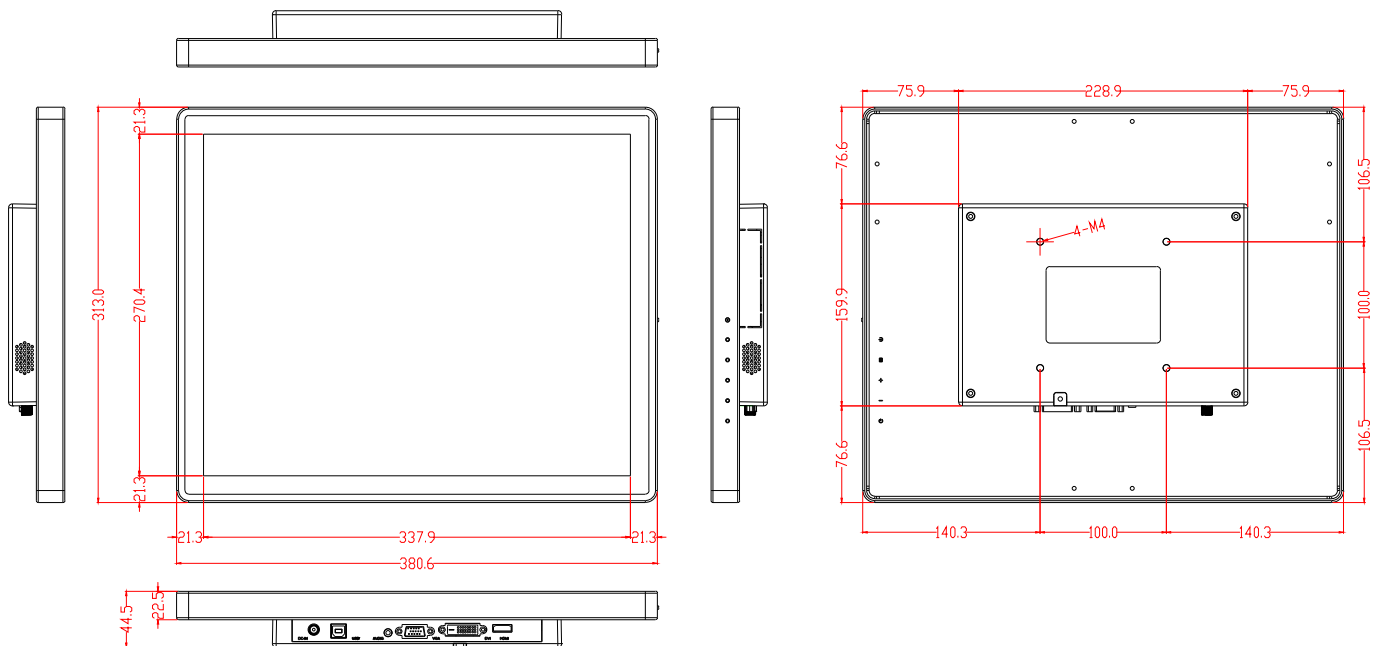
7"-22" Capacitive Touch Monitors

Product name	15.6" Capacitive Touch Monitor
Article code / EAN number	FT156TMBCAP / 6920734016105
LCD Panel	
IP rating	IP65 Front / IP40 Back
Screen diagonal (Inch/cm)	15.6/39.6
Display active screen size (cm)	34.42×19.36
Aspect ratio	16:9
Physical resolution	1920×1080
Maximum showable resolution	1920×1080
Colours displayed	262K
Brightness (cd/m ²)	250
Contrast	800:1
Typical reaction time Tr/ Tf (ms)	15/15
Visual Angle horizontal/vertical (°)	170/170
Backlight / Backlight Lifetime (hours)	LED / min. 15,000
Touch Panel	
Touch Technology	Projected Capacitive 10-point Multitouch
Touch Panel Drivers	Windows; Linux; Mac; Android
Touch Life (Contacts)	Unlimited
Surface Hardness	7H
Surface Treatment	Anti-glare (chemical etched)
Operation / Mechanical	
Operating Temperature (°C)	-10 ~ +60
Humidity Range (RH)	10% - 90%
Net weight (kg)	3.40
Gross weight (kg)	5.30 (incl. cartonnage)
Housing material	Rubber front case, Plastic back case
Housing (cm) L × W × H	38.93 × 24.68 × 3.45
Mounting	VESA 100
Power	
Power Indicator	Green LED
Power Supply	100-240V ACDC active switching; 12V DC-Out
Working Power (V)	12
Power Consumption (W)	13
Stand-By Consumption (W)	<1

External Connectors	
Video	1x VGA
	1x DVI-D
	1x HDMI 1.3 (incl. HDCP)
Audio	1x PC-Audio
Touch Connector	1x USB
Connectors	1x 12V DC-In

Included in the Delivery
Power Supply (see Power section)
Driver DVD
Short Installation Manual
Cables - VGA, USB Touch, Audio Cable
Standard Stand

17" Capacitive Touch Monitor



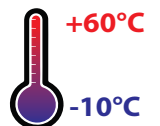
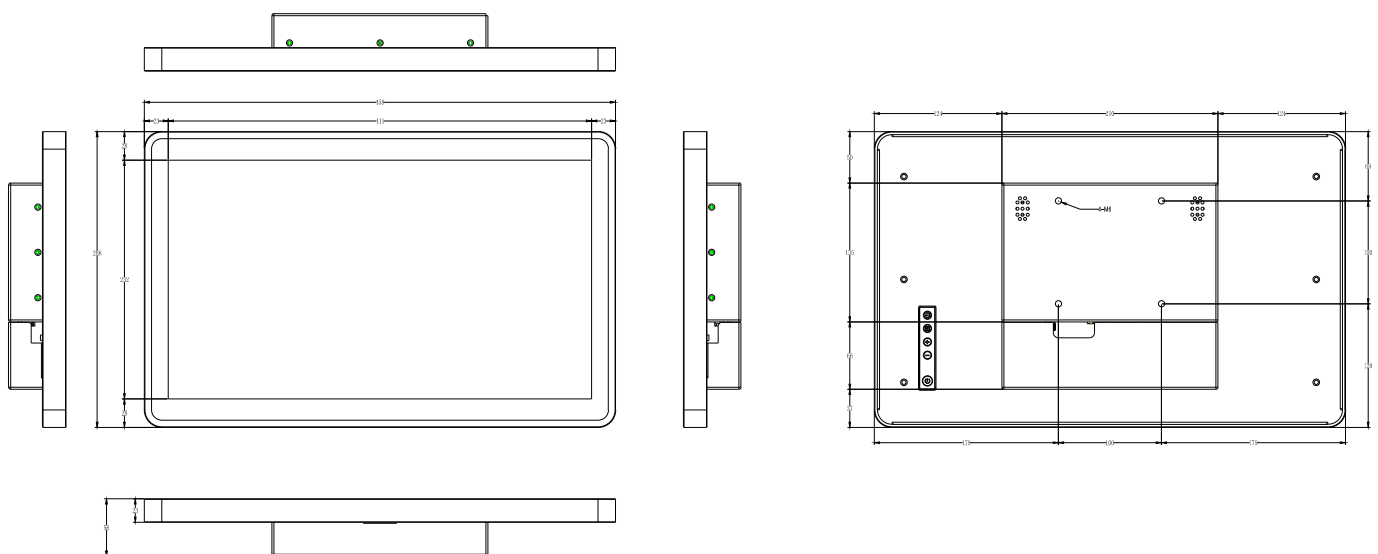
7"-22" Capacitive Touch Monitors

Product name	17" Capacitive Touch Monitor
Article code / EAN number	FT17TMBCAP / 6920734017102
LCD Panel	
IP rating	IP65 Front / IP40 Back
Screen diagonal (Inch/cm)	17/43.18
Display active screen size (cm)	33.79×27.04
Aspect ratio	5:4
Physical resolution	1280×1024
Maximum showable resolution	1920×1200
Colours displayed	16.7M
Brightness (cd/m ²)	250
Contrast	1000:1
Typical reaction time Tr/ Tf (ms)	3.8/1.2
Visual Angle horizontal/vertical (°)	170/160
Backlight / Backlight Lifetime (hours)	LED / 30,000
Touch Panel	
Touch Technology	Projected Capacitive 10-point Multitouch
Touch Panel Drivers	Windows; Linux; Mac; Android
Touch Life (Contacts)	Unlimited
Surface Hardness	7H
Surface Treatment	Anti-glare (chemical etched)
Operation / Mechanical	
Operating Temperature (°C)	-10 ~ +60
Humidity Range (RH)	10% - 90%
Net weight (kg)	5.10
Gross weight (kg)	6.10 (incl. cartonage)
Housing material	Rubber front case, Plastic back case
Housing (cm) L × W × H	38.06 × 31.30 × 4.45
Mounting	VESA 100
Power	
Power Indicator	Green LED
Power Supply	100-240V ACDC active switching; 12V DC-Out
Working Power (V)	12
Power Consumption (W)	15
Stand-By Consumption (W)	<1

External Connectors	
Video	1x VGA
	1x DVI-D
	1x HDMI 1.3 (incl. HDCP)
Audio	1x PC-Audio
Touch Connector	1x USB
Connectors	1x 12V DC-In

Included in the Delivery
Power Supply (see Power section)
Driver DVD
Short Installation Manual
Cables - VGA, USB Touch, Audio Cable
Standard Stand

18.5" Capacitive Touch Monitor



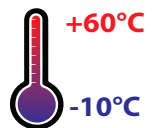
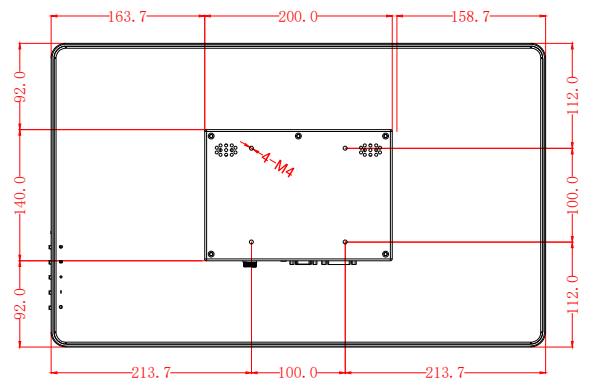
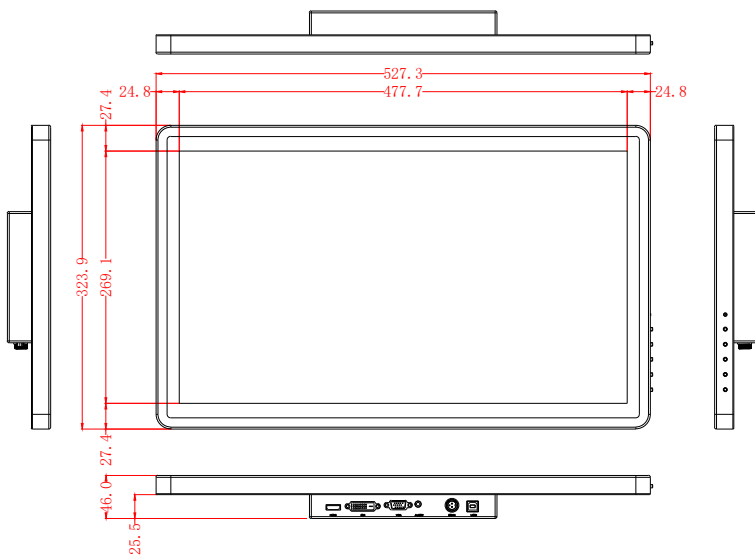
7"-22" Capacitive Touch Monitors

Product name	18.5" Capacitive Touch Monitor
Article code / EAN number	FT185TMBCAP / 6920734018109
LCD Panel	
IP rating	IP65 Front / IP40 Back
Screen diagonal (Inch/cm)	18.5/46.99
Display active screen size (cm)	40.98 x 23.04
Aspect ratio	16:9
Physical resolution	1366x768
Maximum showable resolution	1920x1200
Colours displayed	16.7M
Brightness (cd/m ²)	250
Contrast	1000:1
Typical reaction time Tr/ Tf (ms)	14/14
Visual Angle horizontal/vertical (°)	178/178
Backlight / Backlight Lifetime (hours)	LED / min. 30,000
Touch Panel	
Touch Technology	Projected Capacitive 10-point Multitouch
Touch Panel Drivers	Windows; Linux; Mac; Android
Touch Life (Contacts)	Unlimited
Surface Hardness	7H
Surface Treatment	Anti-glare (chemical etched)
Operation / Mechanical	
Operating Temperature (°C)	-10 ~ +60
Humidity Range (RH)	10% - 90%
Net weight (kg)	7.20
Gross weight (kg)	7.90 (incl. cartonnage)
Housing material	Rubber front case, Plastic back case
Housing (cm) L x W x H	45.80 x 28.80 x 5.60
Mounting	VESA 100
Power	
Power Indicator	Green LED
Power Supply	100-240V ACDC active switching; 12V DC-Out
Working Power (V)	12
Power Consumption (W)	17
Stand-By Consumption (W)	<1

External Connectors	
Video	1x VGA
	1x DVI-D
	1x HDMI 1.3 (incl. HDCP)
Audio	1x PC-Audio
Touch Connector	1x USB
Connectors	1x 12V DC-In

Included in the Delivery
Power Supply (see Power section)
Driver DVD
Short Installation Manual
Cables - VGA, USB Touch, Audio Cable
Standard Stand

21.5" Capacitive Touch Monitor



7"-22" Capacitive Touch Monitors

Product name	21.5" Capacitive Touch Monitor
Article code / EAN number	FT215TMBCAP / 6920734022144
LCD Panel	
IP rating	IP65 Front / IP40 Back
Screen diagonal (Inch/cm)	21.5/54.69
Display active screen size (cm)	47.70×26.80
Aspect ratio	16:9
Physical resolution	1920×1080
Maximum showable resolution	1920×1200
Colours displayed	16.7M
Brightness (cd/m ²)	250
Contrast	1000:1
Typical reaction time Tr/ Tf (ms)	1.5/3.5
Visual Angle horizontal/vertical (°)	170/160
Backlight / Backlight Lifetime (hours)	LED / 40,000
Touch Panel	
Touch Technology	Projected Capacitive 10-point Multitouch
Touch Panel Drivers	Windows; Linux; Mac; Android
Touch Life (Contacts)	Unlimited
Surface Hardness	7H
Surface Treatment	Anti-glare (chemical etched)
Operation / Mechanical	
Operating Temperature (°C)	-10 ~ +60
Humidity Range (RH)	10% - 90%
Net weight (kg)	7.30
Gross weight (kg)	8.30 (incl. cartilage)
Housing material	Rubber front case, Plastic back case
Housing (cm) L × W × H	52.73 × 32.39 × 4.60
Mounting	VESA 100
Power	
Power Indicator	Green LED
Power Supply	100-240V ACDC active switching; 12V DC-Out
Working Power (V)	12
Power Consumption (W)	22
Stand-By Consumption (W)	<1

External Connectors	
Video	1x VGA
	1x DVI-D
	1x HDMI 1.3 (incl. HDCP)
Audio	1x PC-Audio
Touch Connector	1x USB
Connectors	1x 12V DC-In

Included in the Delivery
Power Supply (see Power section)
Driver DVD
Short Installation Manual
Cables - VGA, USB Touch, Audio Cable
Standard Stand



7"-15" IP65 High Brightness Touch Monitors

For industrial and outdoor applications in harsh environments, faytech provides 7"-15" IP65 High Brightness Touch Monitors.

These are perfect solutions for such applications because of the following advantages:

- Increased brightness (all have at least 1000 Nits brightness)
- IP65 protection for the entire device
- All-in-one cable solution, with HDMI or VGA video connection, USB for Touch and a 8-36V power supply.

On the front of the device, there are two buttons for adjusting brightness (5 levels available). On the back of the device, VESA 75 or VESA 100 mounting ensures solid fixation even in the harshest environments.

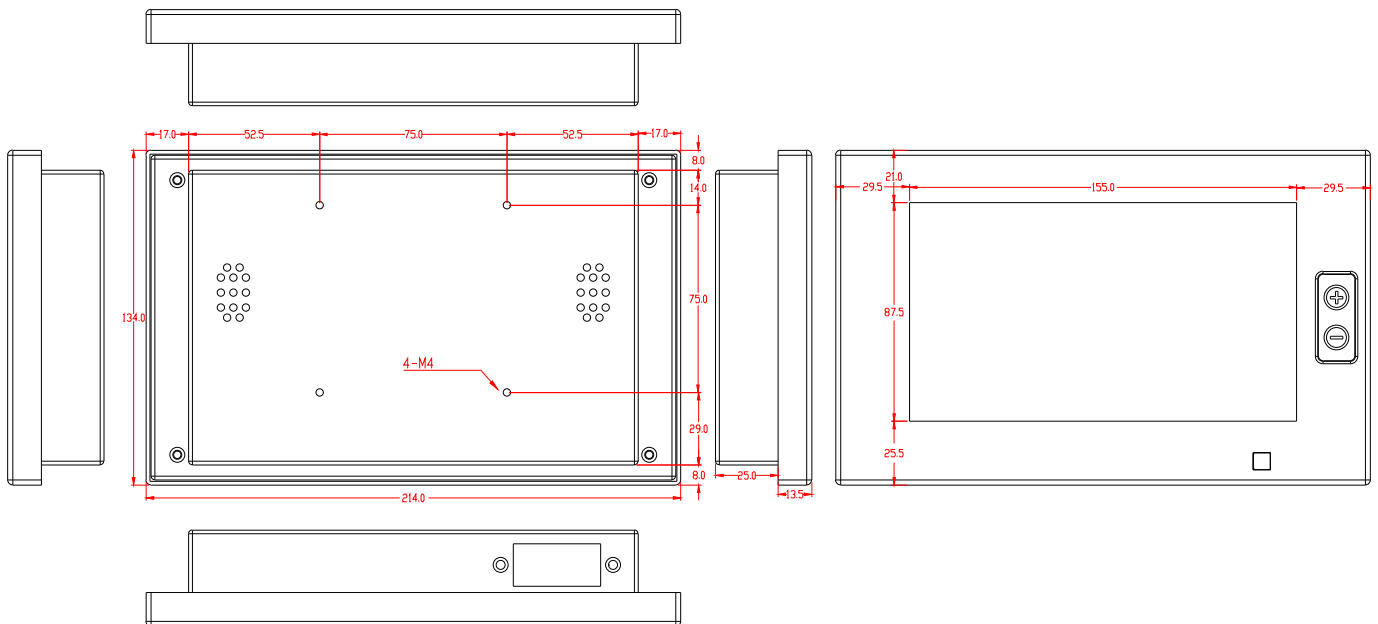
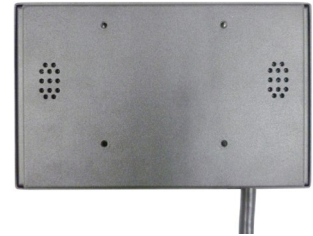
For projects, following customizations are available

- All-in-one cable, e.g. VGA, HDMI, Video, DVI, S-Video, Audio, Power supply, Voltage range, USB or Serial port for touch
- Case color, logos, housing and fixation
- Rail and/or VESA 75, VESA 100 on the back of the device



15" IP65 High Brightness Touch Monitor as a part of navigation panel on sailing boat

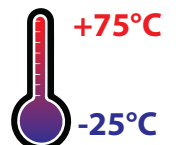
7" IP65 High Brightness Touch Monitor



HIGH BRIGHTNESS



HDMI



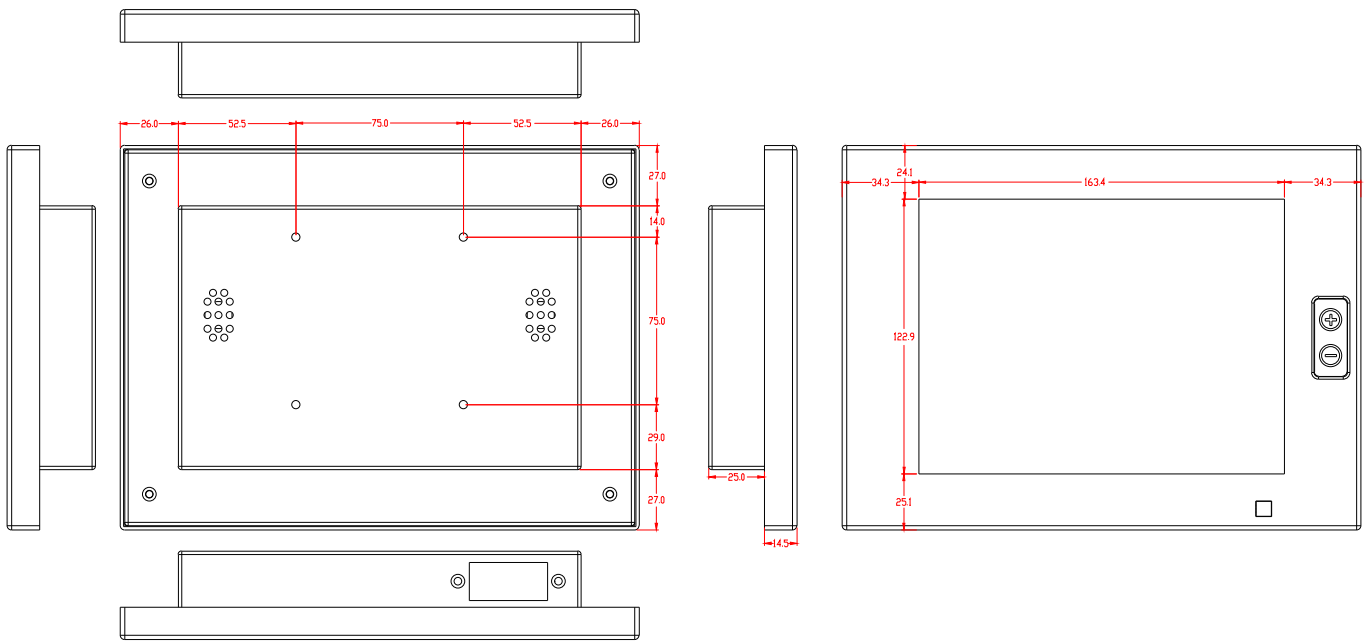
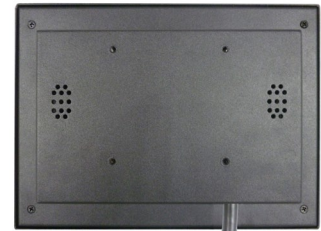
7"-15" IP65 High Brightness Touch Monitors

Product name	7" IP65 High Brightness Touch Monitor
Article code / EAN number	FT07TMIP65HB[HDMI] / 6920734007219 [6920734007226]
LCD Panel	
IP rating	IP65
Screen diagonal (Inch/cm)	7/17.78
Display active screen size (cm)	15.36×9.00
Aspect ratio	16:9
Physical resolution	1024×600
Maximum showable resolution	1920×1080
Colours displayed	262K
Brightness (cd/m ²)	1000+
Contrast	700:1
Typical reaction time Tr/ Tf (ms)	10/15
Visual Angle horizontal/vertical (°)	150/145
Backlight / Backlight Lifetime (hours)	LED / 40,000
Touch Panel	
Touch Technology	4-Wire Resistive
Touch Panel Drivers	Windows; Linux; Mac; Android
Touch Life (Contacts)	1 million touch in 1 location
Surface Hardness	3H
Surface Treatment	Anti-glare
Operation / Mechanical	
Operating Temperature (°C)	-25 ~ +75
Humidity Range (RH)	10% - 90%
Net weight (kg)	1.10
Gross weight (kg)	2.10 (incl. cartonage)
Housing material	Aluminum
Housing (cm) L × W × H	21.40 × 13.40 × 3.85
Mounting	VESA 75
Power	
Power Indicator	Green LED
Power Supply	100-240V ACDC active switching; 12V DC-Out
Working Power (V)	8-36
Power Consumption (W)	10
Stand-By Consumption (W)	<1

External Connectors	
All-In-One cable VGA version	1x VGA
	1x Video-In (RCA, AV)
	2x Audio-In (R/W)
	1x USB-Touch
	1x 8-36V DC-In
All-In-One cable HDMI version	1x HDMI
	1x USB-Touch
	1x 8-36V DC-In

Included in the Delivery
Power Supply (see Power section)
Driver DVD
Short Installation Manual
All-In-One cable (VGA or HDMI)
Stylus
Remote Controller

8" IP65 High Brightness Touch Monitor

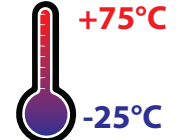


HIGH BRIGHTNESS



HDMI

EXTENDED 8-36V VOLTAGE



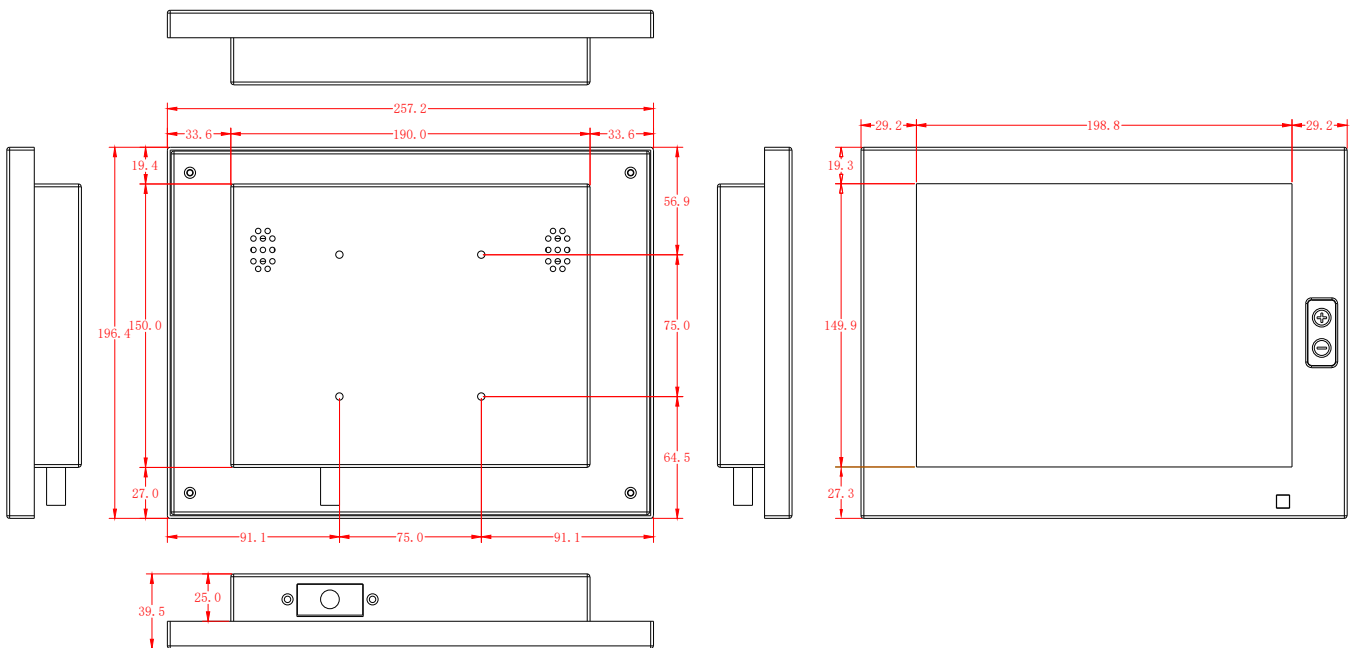
7"-15" IP65 High Brightness Touch Monitors

Product name	8" IP65 High Brightness Touch Monitor
Article code / EAN number	FT08TMIP65HB[HDMI] / 6920734008216 [6920734008223]
LCD Panel	
IP rating	IP65
Screen diagonal (Inch/cm)	8/20.32
Display active screen size (cm)	16.20×12.20
Aspect ratio	4:3
Physical resolution	1024×768
Maximum showable resolution	1920×1080
Colours displayed	16.7M
Brightness (cd/m ²)	1000+
Contrast	700:1
Typical reaction time Tr/ Tf (ms)	6/14
Visual Angle horizontal/vertical (°)	150/150
Backlight / Backlight Lifetime (hours)	LED / 40,000
Touch Panel	
Touch Technology	4-Wire Resistive
Touch Panel Drivers	Windows; Linux; Mac; Android
Touch Life (Contacts)	1 million touch in 1 location
Surface Hardness	3H
Surface Treatment	Anti-glare
Operation / Mechanical	
Operating Temperature (°C)	-25 ~ +75
Humidity Range (RH)	10% - 90%
Net weight (kg)	1.50
Gross weight (kg)	2.30 (incl. cartonage)
Housing material	Aluminum
Housing (cm) L × W × H	23.20 × 17.20 × 3.95
Mounting	VESA 75
Power	
Power Indicator	Green LED
Power Supply	100-240V ACDC active switching; 12V DC-Out
Working Power (V)	8-36
Power Consumption (W)	12
Stand-By Consumption (W)	<1

External Connectors	
All-In-One cable VGA version	1x VGA
	1x Video-In (RCA, AV)
	2x Audio-In (R/W)
	1x USB-Touch
	1x 8-36V DC-In
All-In-One cable HDMI version	1x HDMI
	1x USB-Touch
	1x 8-36V DC-In

Included in the Delivery
Power Supply (see Power section)
Driver DVD
Short Installation Manual
All-In-One cable (VGA or HDMI)
Stylus
Remote Controller

10" IP65 Touch Monitor

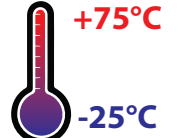


HIGH BRIGHTNESS



HDMI

EXTENDED 8-36V VOLTAGE



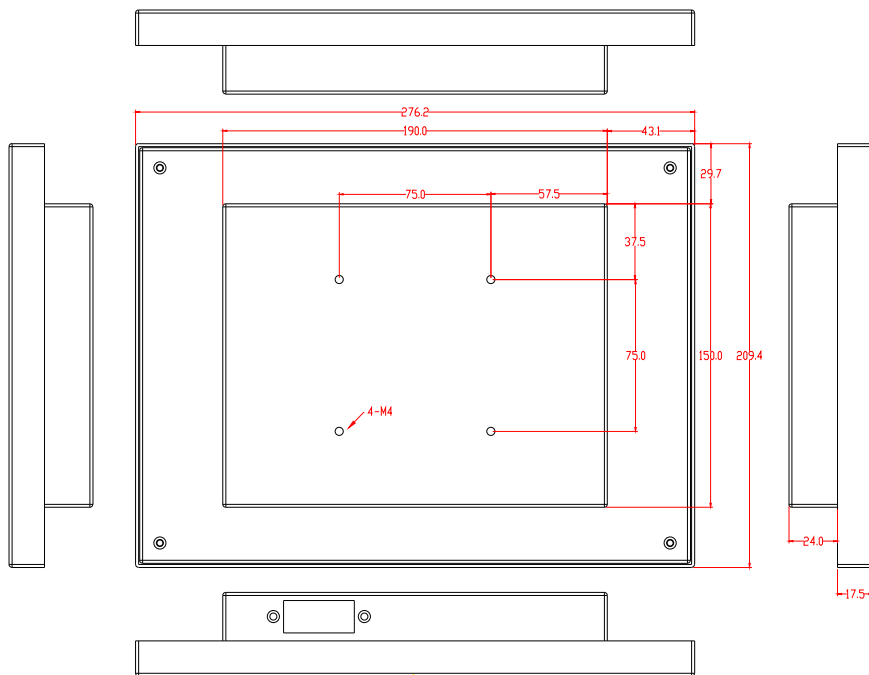
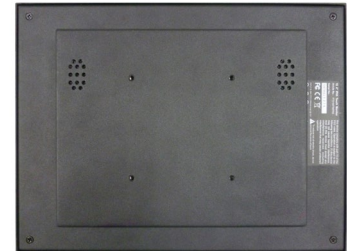
7"-15" IP65 High Brightness Touch Monitors

Product name	10" IP65 Touch Monitor
Article code / EAN number	FT10TMIP65HB[HDMI] / 6920734010219 [6920734010226]
LCD Panel	
IP rating	IP65
Screen diagonal (Inch/cm)	9.7/24.64
Display active screen size (cm)	20.28×15.20
Aspect ratio	4:3
Physical resolution	1024×768
Maximum showable resolution	1920×1080
Colours displayed	16.7M
Brightness (cd/m ²)	350
Contrast	800:1
Typical reaction time Tr/ Tf (ms)	10/15
Visual Angle horizontal/vertical (°)	170/170
Backlight / Backlight Lifetime (hours)	LED / 20,000
Touch Panel	
Touch Technology	5-Wire Resistive
Touch Panel Drivers	Windows; Linux; Mac; Android
Touch Life (Contacts)	10 million touch in 1 location
Surface Hardness	3H
Surface Treatment	Anti-glare
Operation / Mechanical	
Operating Temperature (°C)	-25 ~ +75
Humidity Range (RH)	10% - 90%
Net weight (kg)	1.80
Gross weight (kg)	2.50 (incl. cartonage)
Housing material	Aluminum
Housing (cm) L × W × H	25.72 × 19.64 × 3.95
Mounting	VESA 75
Power	
Power Indicator	Green LED
Power Supply	100-240V ACDC active switching; 12V DC-Out
Working Power (V)	8-36
Power Consumption (W)	8
Stand-By Consumption (W)	<1

External Connectors	
All-In-One cable VGA version	1x VGA
	1x Video-In (RCA, AV)
	2x Audio-In (R/W)
	1x USB-Touch
	1x 8-36V DC-In
All-In-One cable HDMI version	1x HDMI
	1x USB-Touch
	1x 8-36V DC-In

Included in the Delivery
Power Supply (see Power section)
Driver DVD
Short Installation Manual
All-In-One cable (VGA or HDMI)
Stylus
Remote Controller

10.4" IP65 High Brightness Touch Monitor

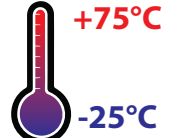


HIGH BRIGHTNESS



HDMI

EXTENDED 8-36V VOLTAGE



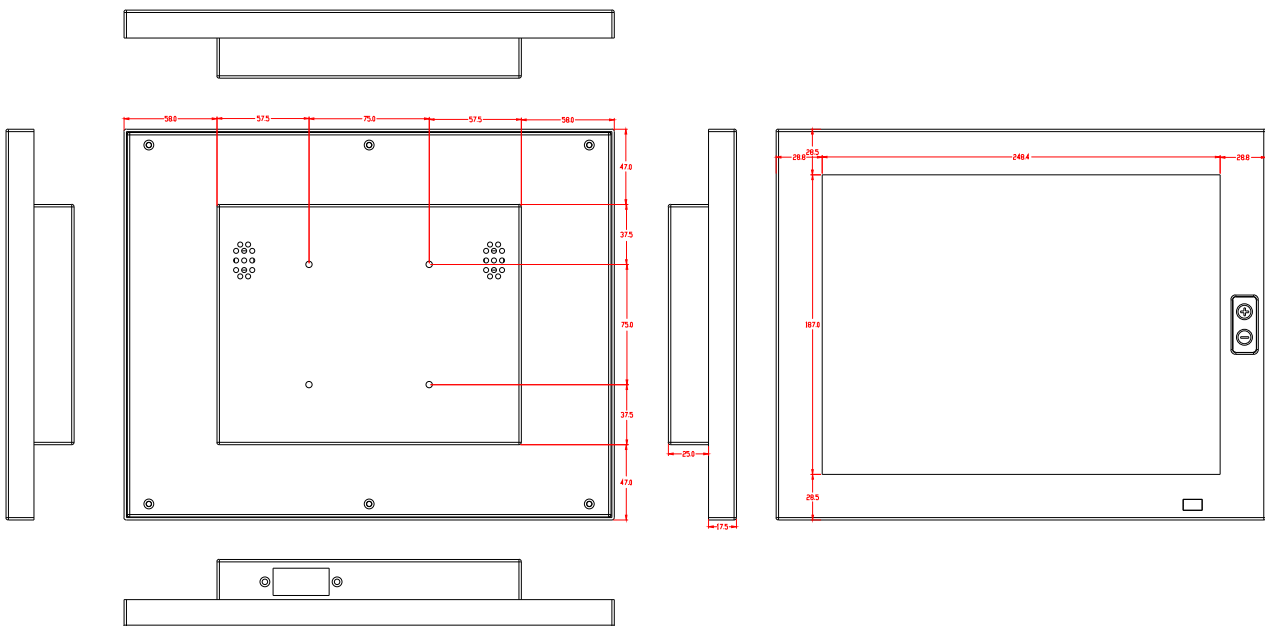
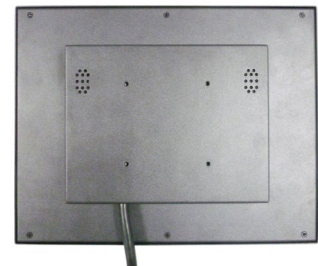
7"-15" IP65 High Brightness Touch Monitors

Product name	10.4" IP65 High Brightness Touch Monitor
Article code / EAN number	FT104TMIP65HB[HDMI] / 6920734010240 [6920734010233]
LCD Panel	
IP rating	IP65
Screen diagonal (Inch/cm)	10.4/26.42
Display active screen size (cm)	21.12×15.84
Aspect ratio	4:3
Physical resolution	1024×768
Maximum showable resolution	1920×1080
Colours displayed	262K
Brightness (cd/m ²)	1000+
Contrast	500:1
Typical reaction time Tr/ Tf (ms)	12.5/12.5
Visual Angle horizontal/vertical (°)	140/120
Backlight / Backlight Lifetime (hours)	LED / 40,000
Touch Panel	
Touch Technology	5-Wire Resistive
Touch Panel Drivers	Windows; Linux; Mac; Android
Touch Life (Contacts)	10 million touch in 1 location
Surface Hardness	3H
Surface Treatment	Anti-glare
Operation / Mechanical	
Operating Temperature (°C)	-25 ~ +75
Humidity Range (RH)	10% - 90%
Net weight (kg)	1.80
Gross weight (kg)	2.60 (incl. cartonage)
Housing material	Aluminum
Housing (cm) L × W × H	27.62 × 20.94 × 4.15
Mounting	VESA 75
Power	
Power Indicator	Green LED
Power Supply	100-240V ACDC active switching; 12V DC-Out
Working Power (V)	8-36
Power Consumption (W)	18
Stand-By Consumption (W)	<1

External Connectors	
All-In-One cable VGA version	1x VGA
	1x Video-In (RCA, AV)
	2x Audio-In (R/W)
	1x USB-Touch
	1x 8-36V DC-In
All-In-One cable HDMI version	1x HDMI
	1x USB-Touch
	1x 8-36V DC-In

Included in the Delivery
Power Supply (see Power section)
Driver DVD
Short Installation Manual
All-In-One cable (VGA or HDMI)
Stylus
Remote Controller

12.1" IP65 High Brightness Touch Monitor

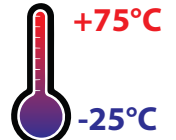


HIGH BRIGHTNESS



HDMI

EXTENDED 8-36V VOLTAGE



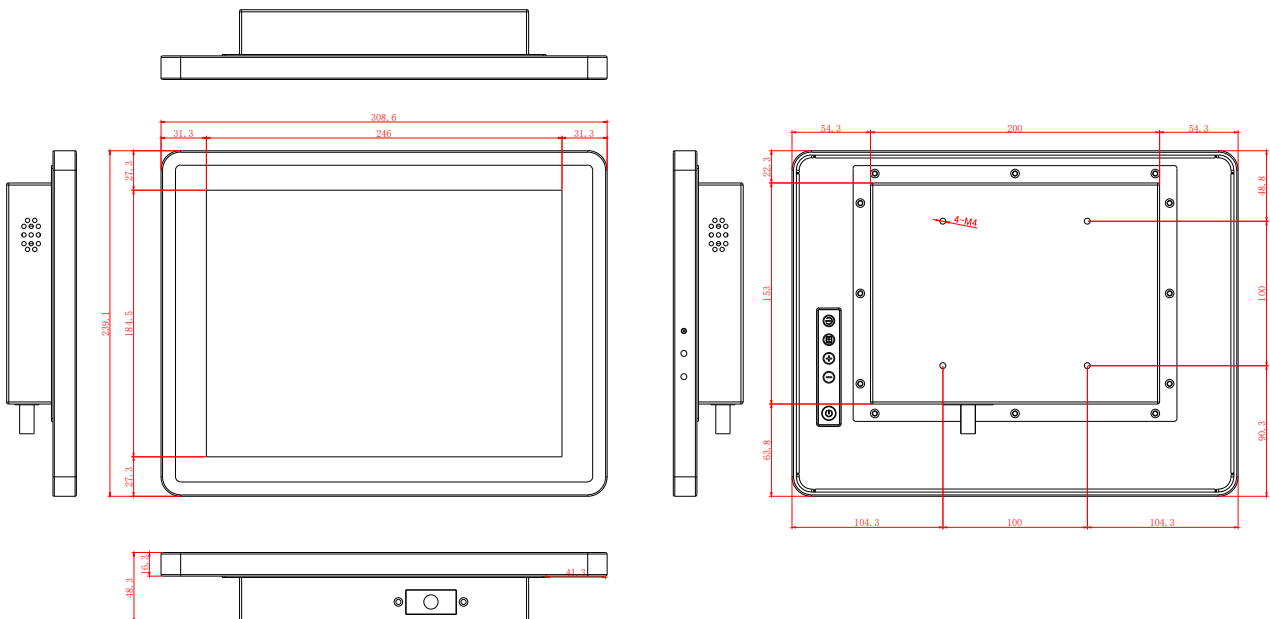
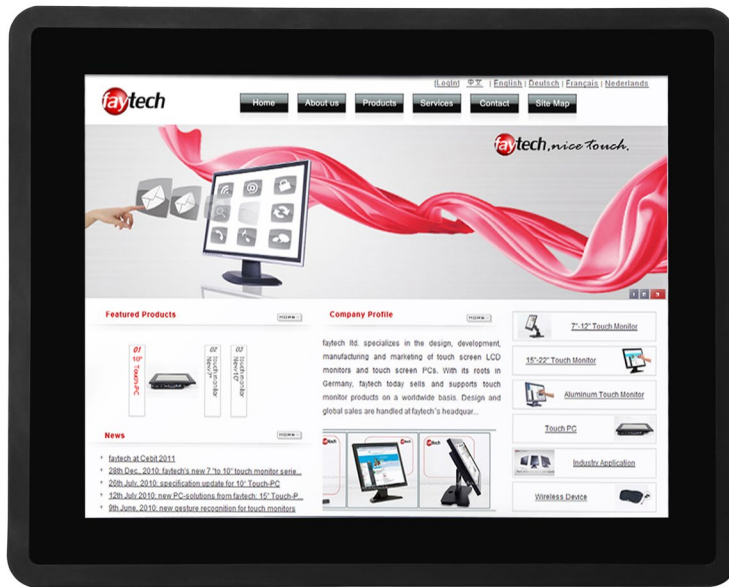
7"-15" IP65 High Brightness Touch Monitors

Product name	12.1" IP65 High Brightness Touch Monitor
Article code / EAN number	FT121TMIP65HB[HDMI] / 6920734012213 [6920734012206]
LCD Panel	
IP rating	IP65
Screen diagonal (Inch/cm)	12.1/30.73
Display active screen size (cm)	24.60×18.40
Aspect ratio	4:3
Physical resolution	1024×768
Maximum showable resolution	1920×1080
Colours displayed	16.7M
Brightness (cd/m ²)	1000+
Contrast	700:1
Typical reaction time Tr/ Tf (ms)	25/10
Visual Angle horizontal/vertical (°)	160/160
Backlight / Backlight Lifetime (hours)	LED / 40,000
Touch Panel	
Touch Technology	5-Wire Resistive
Touch Panel Drivers	Windows; Linux; Mac; Android
Touch Life (Contacts)	10 million touch in 1 location
Surface Hardness	3H
Surface Treatment	Anti-glare
Operation / Mechanical	
Operating Temperature (°C)	-25 ~ +75
Humidity Range (RH)	10% - 90%
Net weight (kg)	2.60
Gross weight (kg)	3.10 (incl. cartonage)
Housing material	Aluminum
Housing (cm) L × W × H	30.60 × 24.40 × 4.25
Mounting	VESA 75
Power	
Power Indicator	Green LED
Power Supply	100-240V ACDC active switching; 12V DC-Out
Working Power (V)	8-36
Power Consumption (W)	20
Stand-By Consumption (W)	<1

External Connectors	
All-In-One cable VGA version	1x VGA
	1x Video-In (RCA, AV)
	2x Audio-In (R/W)
	1x USB-Touch
	1x 8-36V DC-In
All-In-One cable HDMI version	1x HDMI
	1x USB-Touch
	1x 8-36V DC-In

Included in the Delivery
Power Supply (see Power section)
Driver DVD
Short Installation Manual
All-In-One cable (VGA or HDMI)
Stylus
Remote Controller

12.1" Capacitive IP65 High Brightness Touch Monitor

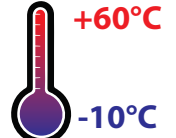


HIGH BRIGHTNESS



HDMI

**EXTENDED
8 - 36 V
VOLTAGE**



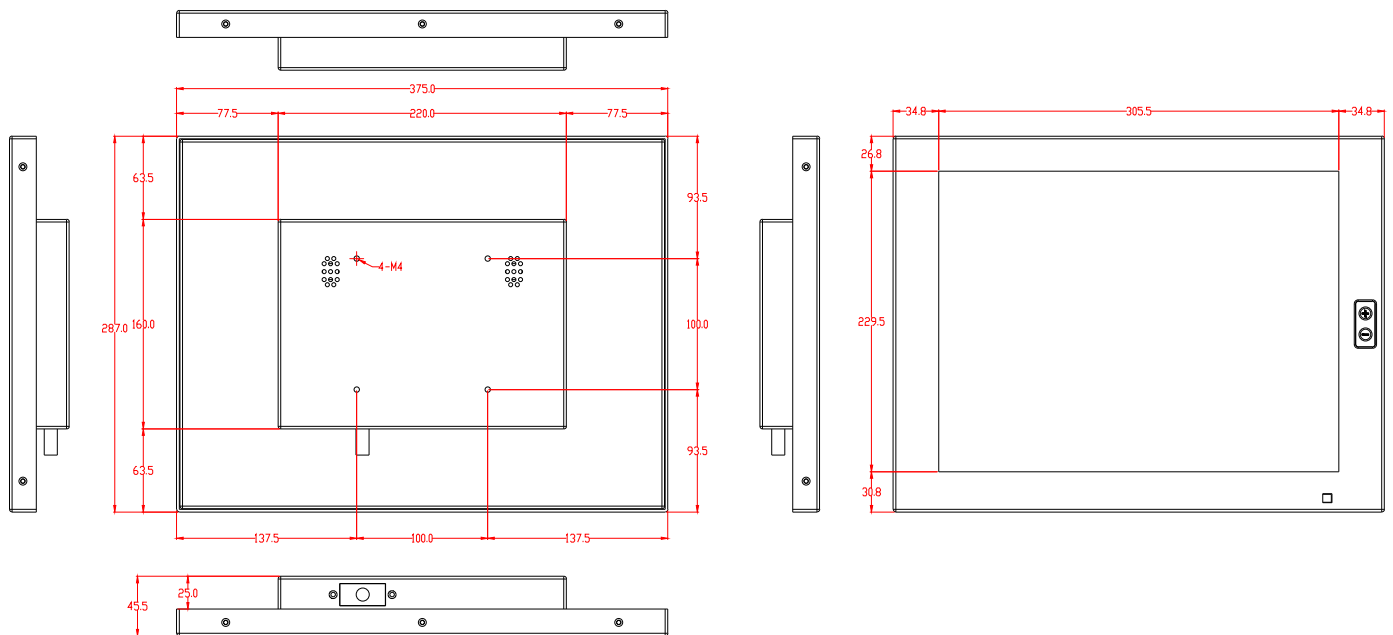
7"-15" IP65 High Brightness Touch Monitors

Product name	12.1" Capacitive IP65 High Brightness Touch Monitor
Article code / EAN number	FT121TMIP65HBCAP / 6920734012138
LCD Panel	
IP rating	IP65
Screen diagonal (Inch/cm)	12.1/30.73
Display active screen size (cm)	24.60×18.40
Aspect ratio	4:3
Physical resolution	1024×768
Maximum showable resolution	1920×1080
Colours displayed	16.7M
Brightness (cd/m ²)	1000+
Contrast	700:1
Typical reaction time Tr/ Tf (ms)	25/10
Visual Angle horizontal/vertical (°)	160/160
Backlight / Backlight Lifetime (hours)	LED / 40,000
Touch Panel	
Touch Technology	Projected Capacitive 10-Point Multitouch
Touch Panel Drivers	Windows; Linux; Mac; Android
Touch Life (Contacts)	Unlimited
Surface Hardness	7H
Surface Treatment	Anti-glare (chemical etched)
Operation / Mechanical	
Operating Temperature (°C)	-10 ~ +60
Humidity Range (RH)	10% - 90%
Net weight (kg)	1.50
Gross weight (kg)	3.00 (incl. cartonnage)
Housing material	Rubber front case and Aluminum back case
Housing (cm) L × W × H	30.86 × 23.91 × 4.83
Mounting	VESA 100
Power	
Power Indicator	Green LED
Power Supply	100-240V ACDC active switching; 12V DC-Out
Working Power (V)	8-36
Power Consumption (W)	20
Stand-By Consumption (W)	<1

External Connectors	
All-In-One cable VGA version	1x VGA
	1x Video-In (RCA, AV)
	2x Audio-In (R/W)
	1x USB-Touch
	1x 8-36V DC-In
All-In-One cable HDMI version	1x HDMI
	1x USB-Touch
	1x 8-36V DC-In

Included in the Delivery
Power Supply (see Power section)
Driver DVD
Short Installation Manual
All-In-One cable (VGA or HDMI)

15" IP65 High Brightness Touch Monitor

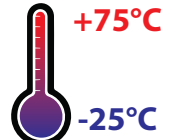


HIGH BRIGHTNESS



HDMI

EXTENDED 8-36V VOLTAGE



7"-15" IP65 High Brightness Touch Monitors

Product name	15" IP65 High Brightness Touch Monitor
Article code / EAN number	FT15TMIP65HB[HDMI] / 6920734015214 [6920734015207]
LCD Panel	
IP rating	IP65
Screen diagonal (Inch/cm)	15/38.10
Display active screen size (cm)	30.40×22.80
Aspect ratio	4:3
Physical resolution	1024×768
Maximum showable resolution	1920×1200
Colours displayed	16.7M
Brightness (cd/m ²)	1000+
Contrast	700:1
Typical reaction time Tr/ Tf (ms)	8/12
Visual Angle horizontal/vertical (°)	160/160
Backlight / Backlight Lifetime (hours)	LED / 40,000
Touch Panel	
Touch Technology	5-Wire Resistive
Touch Panel Drivers	Windows; Linux; Mac; Android
Touch Life (Contacts)	10 million touch in 1 location
Surface Hardness	3H
Surface Treatment	Anti-glare
Operation / Mechanical	
Operating Temperature (°C)	-25 ~ +75
Humidity Range (RH)	10% - 90%
Net weight (kg)	3.40
Gross weight (kg)	5.00 (incl. cartonage)
Housing material	Aluminum
Housing (cm) L × W × H	37.50 × 28.70 × 4.55
Mounting	VESA 100
Power	
Power Indicator	Green LED
Power Supply	100-240V ACDC active switching; 12V DC-Out
Working Power (V)	8-36
Power Consumption (W)	24
Stand-By Consumption (W)	<1

External Connectors	
All-In-One cable VGA version	1x VGA
	1x Video-In (RCA, AV)
	2x Audio-In (R/W)
	1x USB-Touch
	1x 8-36V DC-In
All-In-One cable HDMI version	1x HDMI
	1x USB-Touch
	1x 8-36V DC-In

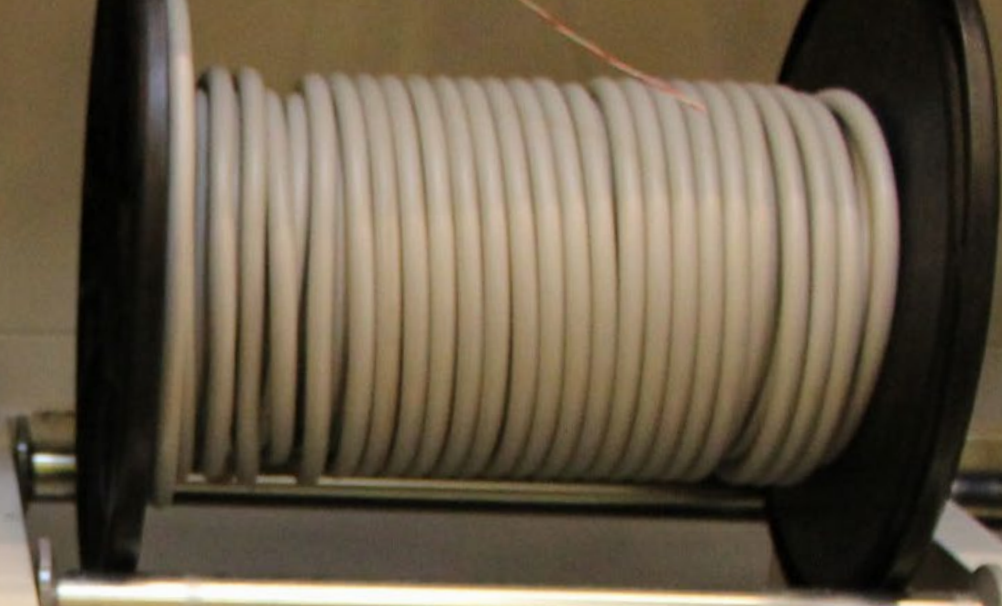
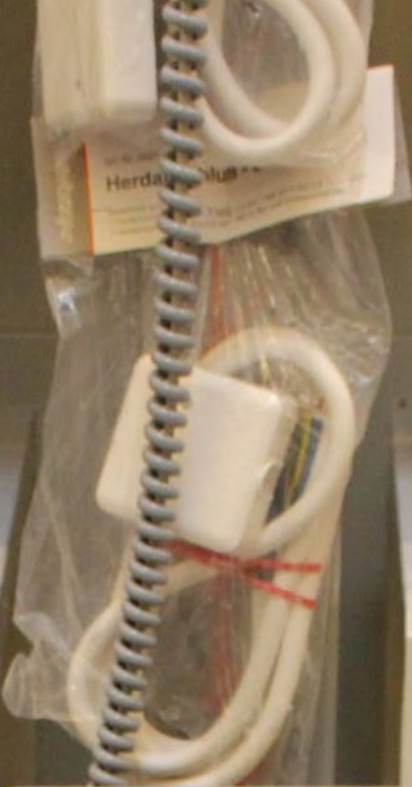
Included in the Delivery
Power Supply (see Power section)
Driver DVD
Short Installation Manual
All-In-One cable (VGA or HDMI)
Stylus
Remote Controller

7" - 19" Resistive Touch PCs

For industrial and business applications, faytech's Touch PC series provide incredible stability due to its fanless silent operation, no moving parts design and aluminum housing. Equipped with strong Intel® Celeron™ DualCore or QuadCore CPU, Intel® HD graphics, 2G / 4G RAM and 64G SSD, the system supports various OS, e.g. Win 7/8/10 (32 or 64 bit) and Linux. With Intel® I5-5200u CPU, fay-003 mainboard is available for better performance. Using 5-wire resistive touch panels (4-wire for 7") and faytech's subpixel free A+ LCD panels, it is our cost-effective yet highly reliable solution for long term operation.

faytech's Touch PCs are perfect option for moderate and challenging situations, such as industrial automation, POS system, digital signage, etc.

Further customization is available, e.g. higher brightness, IP protection, optional touch panel technologies, optical bonding, etc.



65
 RYM-J 504
 7. RAUM: 70. LFM: 78
 3.15 €

Wie messe ich Kabel ab?

- △ Kabel auswählen
- Zählwerk auf 0
- Kabel ablängen
- ... am Display *Anzahl*
- Nummer eingeben
- Enter drücken
- Länge eingeben
- Enter drücken
- Etikett abziehen



72
 RYM-J 503 7. RAUM: 78
 1.80 €

BAUHAUS

Einigen Buchstaben und Zahlen eingeben und OK drücken

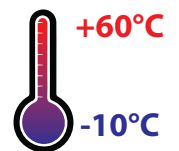
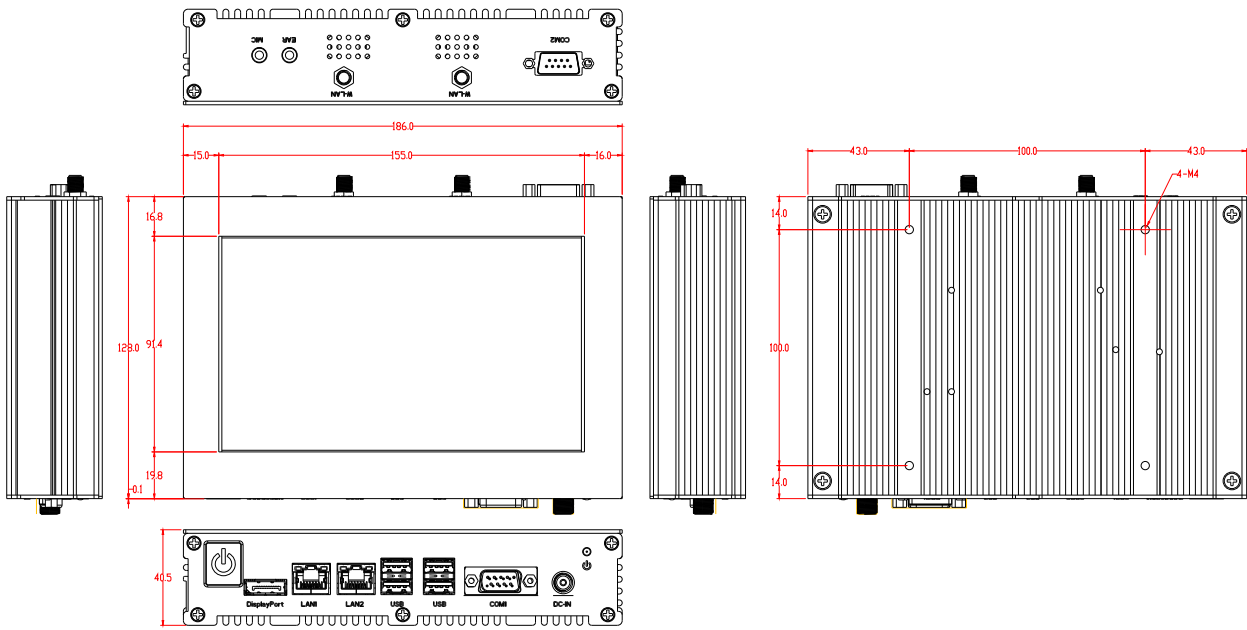
einige:

A	1	2	3
B	4	5	6
C	7	8	9
Löschen	0	,	
OK			



10" Resistive Touch PC at the hardware store to measure and label on the POS

7" Resistive Touch PC



7" - 19" Resistive Touch PCs

Product name	7" Resistive Touch PC
Article code / EAN number	FT07N2807W2G64G / 6920734007509
PC System	
CPU	Intel® Celeron™ DualCore N2807
Chipset	Intel® E3800
Graphic GPU	Intel® HD Graphics
Audio	Realtek 887 8 -channel high definition audio codec, Audio Amplifier EUA 2012A
Memory	1x 2GB DDR3L SODimm (expandable to 4GB)
Storage	faytech Industrial 64GB SSD
Network	2x Realtek PCIe GB LAN 8111G
Driver Support	Win7/8/10; Linux; 32Bit/64Bit
Pre-installed OS	Linux Ubuntu
LCD Panel	
IP rating	IP40
Screen diagonal (Inch/cm)	7/17.78
Display active screen size (cm)	15.36×9.00
Aspect ratio	16:9
Physical resolution	1024×600
External Maximum showable resolution - DP	1920×1200
Colours displayed	262K
Brightness (cd/m ²)	500
Contrast	700:1
Typical reaction time Tr/ Tf (ms)	10/15
Visual Angle horizontal/vertical (°)	150/145
Backlight / Backlight Lifetime (hours)	LED / 20,000
Touch Panel	
Touch Technology	4-Wire Resistive
Touch Connector	USB
Touch Life (Contacts)	1 million touch in 1 location
Surface Hardness	3H
Surface Treatment	Anti-glare
Operation / Mechanical	
Operating Temperature (°C)	-10 ~ +60
Humidity Range (RH)	10% - 90%
Net weight (kg)	2.00
Gross weight (kg)	2.50 (incl. cartonage)
Housing material	Aluminum
Housing (cm) L × W × H	18.60 × 12.80 × 4.05
Mounting	VESA 100
Power	
Power Indicator	Green LED
Power Supply	100-240V ACDC active switching; 12V DC-Out
Working Power (V)	12
Power Consumption (W)	15
Stand-By Consumption (W)	<1

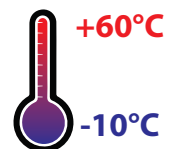
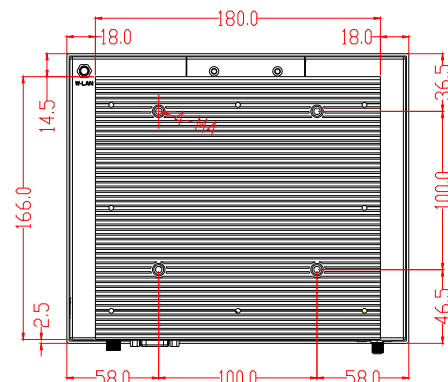
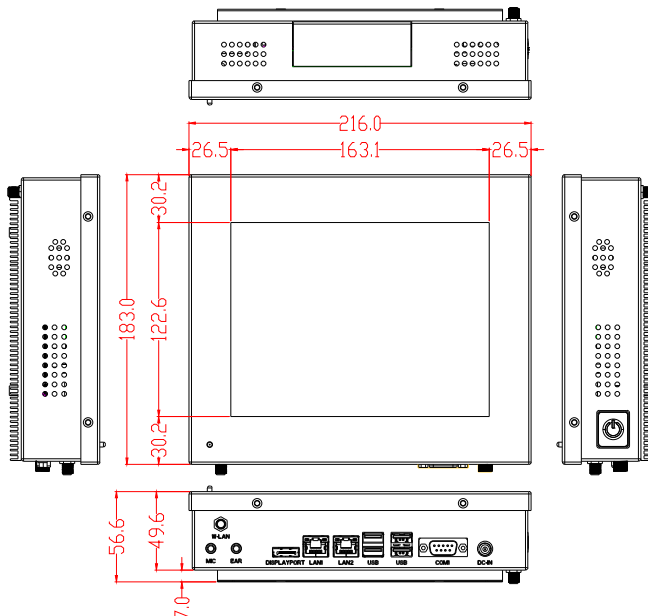
Internal Connectors
1x SO-DIMM Slot, max. 4GB, DDR3L-1333 Single channel memory
1x 12V DC power connector (2-pin); 1x 4-pin SATA power connector
2x S-ATA 3GB/s ports; 1x 5-pin LCD power connector
1x VGA pin header; 1x SIM-card-Header (connected to MiniPCIe); 1x LVDS connector
1x S/PDIF output pin header
1x 4-pin (2x2W) audio amplifier connector
1x PS/2 keyboard/mouse connector (6-pin)
2x USB 2.0 header supports additional 4x USB 2.0 ports
2x RS232 COM connectors (1x externally connected); 1x 8-bit Digital I/O interface
1x Chassis Fan connector

External Connectors
1x Display port
1x USB 3.0; 3x USB 2.0 ports
2x COM port Full-PIN (RS232; 5V/12V)
2x 10/100/1000Mbit RJ45 Ports
MIC-In, EAR-Out
1x 12V DC-In (screwable)
2x W-LAN connector

Expansion slots
2x Mini Card slots with PCIe and USB interface (2x Full Height/Half height changeable)

Included in the Delivery
Power Supply (see Power section)
3-Pin Power Connector
Driver DVD
Short Installation Manual
W-LAN Antenna
Stylus

8" Resistive Touch PC



7" - 19" Resistive Touch PCs

Product name	8" Resistive Touch PC
Article code / EAN number	FT08N2807W2G64G / 6920734008513
PC System	
CPU	Intel® Celeron™ DualCore N2807
Chipset	Intel® E3800
Graphic GPU	Intel® HD Graphics
Audio	Realtek 887 8 -channel high definition audio codec, Audio Amplifier EUA 2012A
Memory	1x 2GB DDR3L SODimm (expandable to 4GB)
Storage	faytech Industrial 64GB SSD
Network	2x Realtek PCIe GB LAN 8111G
Driver Support	Win7/8/10; Linux; 32Bit/64Bit
Pre-installed OS	Linux Ubuntu
LCD Panel	
IP rating	IP40
Screen diagonal (Inch/cm)	8/20.32
Display active screen size (cm)	16.20×12.20
Aspect ratio	4:3
Physical resolution	1024×768
External Maximum showable resolution - DP	1920×1200
Colours displayed	16.7M
Brightness (cd/m ²)	250
Contrast	700:1
Typical reaction time Tr/ Tf (ms)	6/14
Visual Angle horizontal/vertical (°)	150/150
Backlight / Backlight Lifetime (hours)	LED / 20,000
Touch Panel	
Touch Technology	5-Wire Resistive
Touch Connector	USB
Touch Life (Contacts)	10 million touch in 1 location
Surface Hardness	3H
Surface Treatment	Anti-glare
Operation / Mechanical	
Operating Temperature (°C)	-10 ~ +60
Humidity Range (RH)	10% - 90%
Net weight (kg)	2.15
Gross weight (kg)	2.65 (incl. cartonage)
Housing material	Aluminum
Housing (cm) L × W × H	21.60 × 18.30 × 5.66
Mounting	VESA 100
Power	
Power Indicator	Green LED
Power Supply	100-240V ACDC active switching; 12V DC-Out
Working Power (V)	12
Power Consumption (W)	14
Stand-By Consumption (W)	<1

Internal Connectors
1x SO-DIMM Slot, max. 4GB, DDR3L-1333 Single channel memory
1x 12V DC power connector (2-pin); 1x 4-pin SATA power connector
2x S-ATA 3GB/s ports; 1x 5-pin LCD power connector
1x VGA pin header; 1x SIM-card-Header (connected to MiniPCIe); 1x LVDS connector
1x S/PDIF output pin header
1x 4-pin (2x2W) audio amplifier connector
1x PS/2 keyboard/mouse connector (6-pin)
2x USB 2.0 header supports additional 4x USB 2.0 ports
2x RS232 COM connectors (1x externally connected); 1x 8-bit Digital I/O interface
1x Chassis Fan connector

External Connectors
1x Display port
1x USB 3.0; 3x USB 2.0 ports
2x COM port Full-PIN (RS232; 5V/12V)
2x 10/100/1000Mbit RJ45 Ports
MIC-In, EAR-Out
1x 12V DC-In (screwable)
2x W-LAN connector

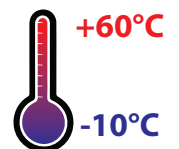
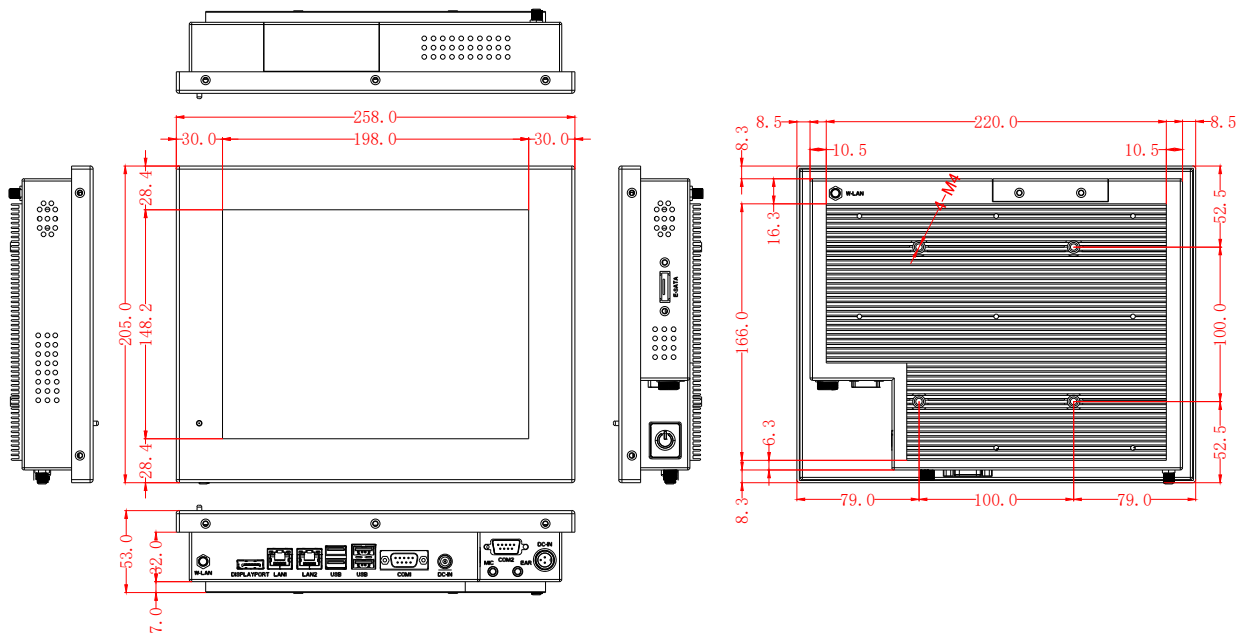
Expansion slots
2x Mini Card slots with PCIe and USB interface (2x Full Height/Half height changeable)

Included in the Delivery
Power Supply (see Power section)
3-Pin Power Connector
Driver DVD
Short Installation Manual
W-LAN Antenna
Stylus

10" Resistive Touch PC



FTV100SF stand shown is optional



7" - 19" Resistive Touch PCs

Product name	10" Resistive Touch PC
Article code / EAN number	FT10N2807W2G64G / 6920734010516
PC System	
CPU	Intel® Celeron™ DualCore N2807
Chipset	Intel® E3800
Graphic GPU	Intel® HD Graphics
Audio	Realtek 887 8 -channel high definition audio codec, Audio Amplifier EUA 2012A
Memory	1x 2GB DDR3L SODimm (expandable to 4GB)
Storage	faytech Industrial 64GB SSD
Network	2x Realtek PCIe GB LAN 8111G
Driver Support	Win7/8/10; Linux; 32Bit/64Bit
Pre-installed OS	Linux Ubuntu
LCD Panel	
IP rating	IP40
Screen diagonal (Inch/cm)	9.7/24.64
Display active screen size (cm)	19.70×14.70
Aspect ratio	4:3
Physical resolution	1024×768
External Maximum showable resolution - DP	1920×1200
Colours displayed	16.7M
Brightness (cd/m ²)	350
Contrast	800:1
Typical reaction time Tr/ Tf (ms)	10/15
Visual Angle horizontal/vertical (°)	170/170
Backlight / Backlight Lifetime (hours)	LED / 20,000
Touch Panel	
Touch Technology	5-Wire Resistive
Touch Connector	USB
Touch Life (Contacts)	10 million touch in 1 location
Surface Hardness	3H
Surface Treatment	Anti-glare
Operation / Mechanical	
Operating Temperature (°C)	-10 ~ +60
Humidity Range (RH)	10% - 90%
Net weight (kg)	2.00
Gross weight (kg)	2.90 (incl. cartonage)
Housing material	Aluminum
Housing (cm) L × W × H	25.80 × 20.50 × 5.30
Mounting	VESA 100
Power	
Power Indicator	Green LED
Power Supply	100-240V ACDC active switching; 12V DC-Out
Working Power (V)	12
Power Consumption (W)	14
Stand-By Consumption (W)	<1

Internal Connectors
1x SO-DIMM Slot, max. 4GB, DDR3L-1333 Single channel memory
1x 12V DC power connector (2-pin); 1x 4-pin SATA power connector
2x S-ATA 3GB/s ports; 1x 5-pin LCD power connector
1x VGA pin header; 1x SIM-card-Header (connected to MiniPCIe); 1x LVDS connector
1x S/PDIF output pin header
1x 4-pin (2x2W) audio amplifier connector
1x PS/2 keyboard/mouse connector (6-pin)
2x USB 2.0 header supports additional 4x USB 2.0 ports
2x RS232 COM connectors (1x externally connected); 1x 8-bit Digital I/O interface
1x Chassis Fan connector

External Connectors
1x Display port
1x USB 3.0; 3x USB 2.0 ports
2x COM port Full-PIN (RS232; 5V/12V)
2x 10/100/1000Mbit RJ45 Ports
MIC-In, EAR-Out
1x 12V DC-In (screwable)
2x W-LAN connector

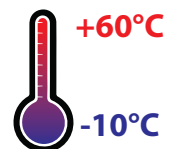
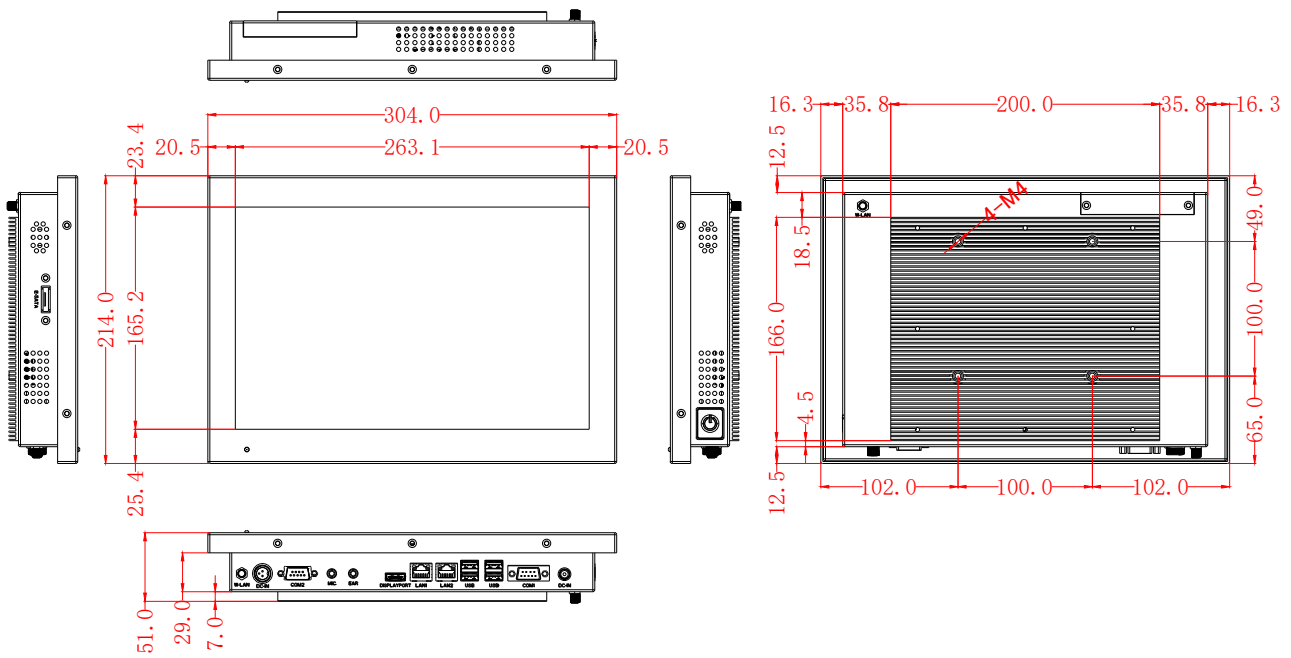
Expansion slots
2x Mini Card slots with PCIe and USB interface (2x Full Height/Half height changeable)

Included in the Delivery
Power Supply (see Power section)
3-Pin Power Connector
Driver DVD
Short Installation Manual
W-LAN Antenna
Stylus

12.1" Resistive Touch PC



FTV100SF stand shown is optional



7" - 19" Resistive Touch PCs

Product name	12.1" Resistive Touch PC
Article code / EAN number	FT12N2807W2G64G / 6920734012510
PC System	
CPU	Intel® Celeron™ DualCore N2807
Chipset	Intel® E3800
Graphic GPU	Intel® HD Graphics
Audio	Realtek 887 8 -channel high definition audio codec, Audio Amplifier EUA 2012A
Memory	1x 2GB DDR3L SODimm (expandable to 4GB)
Storage	faytech Industrial 64GB SSD
Network	2x Realtek PCIe GB LAN 8111G
Driver Support	Win7/8/10; Linux; 32Bit/64Bit
Pre-installed OS	Linux Ubuntu
LCD Panel	
IP rating	IP40
Screen diagonal (Inch/cm)	12.1/30.73
Display active screen size (cm)	26.10×16.30
Aspect ratio	16:10
Physical resolution	1280×800
External Maximum showable resolution - DP	1920×1200
Colours displayed	262K
Brightness (cd/m ²)	300
Contrast	600:1
Typical reaction time Tr/ Tf (ms)	12/13
Visual Angle horizontal/vertical (°)	178/178
Backlight / Backlight Lifetime (hours)	LED / 20,000
Touch Panel	
Touch Technology	5-Wire Resistive
Touch Connector	USB
Touch Life (Contacts)	10 million touch in 1 location
Surface Hardness	3H
Surface Treatment	Anti-glare
Operation / Mechanical	
Operating Temperature (°C)	-10 ~ +60
Humidity Range (RH)	10% - 90%
Net weight (kg)	2.30
Gross weight (kg)	3.50 (incl. cartonage)
Housing material	Aluminum
Housing (cm) L × W × H	30.40 × 21.40 × 5.10
Mounting	VESA 100
Power	
Power Indicator	Green LED
Power Supply	100-240V ACDC active switching; 12V DC-Out
Working Power (V)	12
Power Consumption (W)	15
Stand-By Consumption (W)	<1

Internal Connectors
1x SO-DIMM Slot, max. 4GB, DDR3L-1333 Single channel memory
1x 12V DC power connector (2-pin); 1x 4-pin SATA power connector
2x S-ATA 3GB/s ports; 1x 5-pin LCD power connector
1x VGA pin header; 1x SIM-card-Header (connected to MiniPCIe); 1x LVDS connector
1x S/PDIF output pin header
1x 4-pin (2x2W) audio amplifier connector
1x PS/2 keyboard/mouse connector (6-pin)
2x USB 2.0 header supports additional 4x USB 2.0 ports
2x RS232 COM connectors (1x externally connected); 1x 8-bit Digital I/O interface
1x Chassis Fan connector

External Connectors
1x Display port
1x USB 3.0; 3x USB 2.0 ports
2x COM port Full-PIN (RS232; 5V/12V)
2x 10/100/1000Mbit RJ45 Ports
MIC-In, EAR-Out
1x 12V DC-In (screwable)
2x W-LAN connector

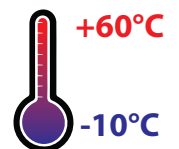
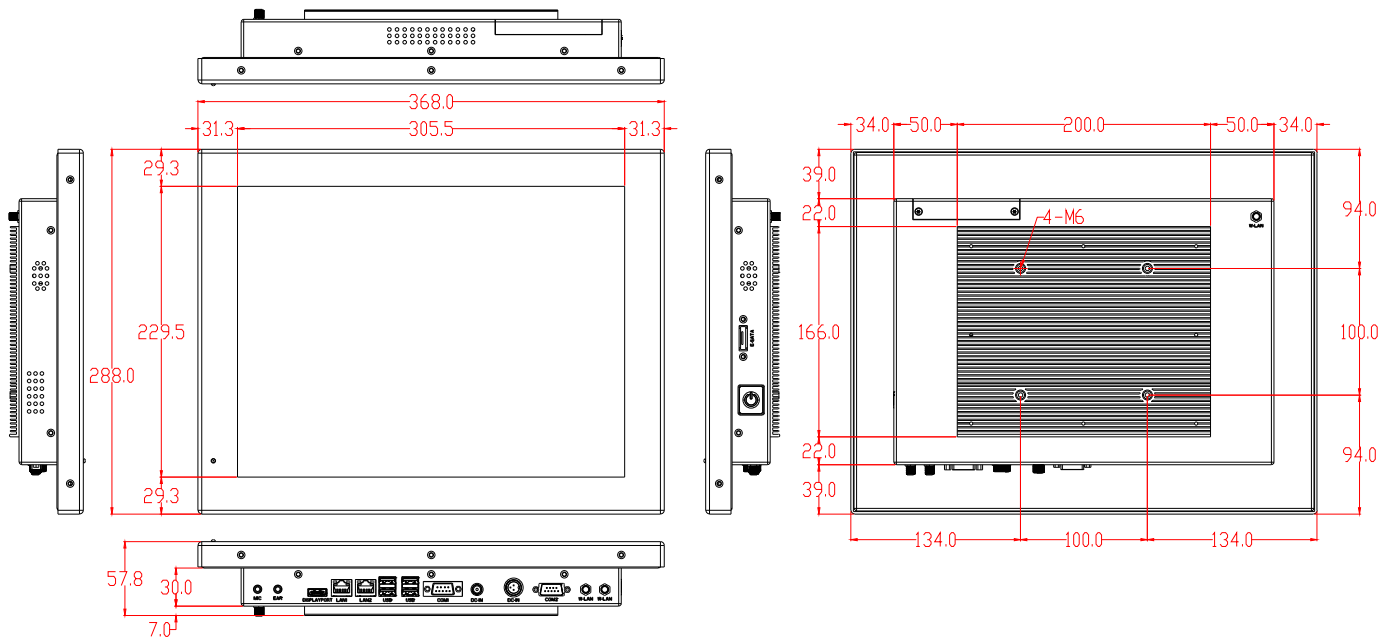
Expansion slots
2x Mini Card slots with PCIe and USB interface (2x Full Height/Half height changeable)

Included in the Delivery
Power Supply (see Power section)
3-Pin Power Connector
Driver DVD
Short Installation Manual
W-LAN Antenna
Stylus

15" Resistive Touch PC



FTV100SF stand shown is optional



7" - 19" Resistive Touch PCs

Product name	15" Resistive Touch PC
Article code / EAN number	FT15N2807W2G64G / 6920734015511
PC System	
CPU	Intel® Celeron™ DualCore N2807
Chipset	Intel® E3800
Graphic GPU	Intel® HD Graphics
Audio	Realtek 887 8 -channel high definition audio codec, Audio Amplifier EUA 2012A
Memory	1x 2GB DDR3L SODimm (expandable to 4GB)
Storage	faytech Industrial 64GB SSD
Network	2x Realtek PCIe GB LAN 8111G
Driver Support	Win7/8/10; Linux; 32Bit/64Bit
Pre-installed OS	Linux Ubuntu
LCD Panel	
IP rating	IP40
Screen diagonal (Inch/cm)	15/38.10
Display active screen size (cm)	30.40×22.80
Aspect ratio	4:3
Physical resolution	1024×768
External Maximum showable resolution - DP	1920×1200
Colours displayed	16.7M
Brightness (cd/m ²)	300
Contrast	700:1
Typical reaction time Tr/ Tf (ms)	8/12
Visual Angle horizontal/vertical (°)	160/160
Backlight / Backlight Lifetime (hours)	LED / 30,000
Touch Panel	
Touch Technology	5-Wire Resistive
Touch Connector	USB
Touch Life (Contacts)	10 million touch in 1 location
Surface Hardness	3H
Surface Treatment	Anti-glare
Operation / Mechanical	
Operating Temperature (°C)	-10 ~ +60
Humidity Range (RH)	10% - 90%
Net weight (kg)	3.40
Gross weight (kg)	5.30 (incl. cartonage)
Housing material	Aluminum
Housing (cm) L × W × H	36.80 × 28.80 × 5.78
Mounting	VESA 100
Power	
Power Indicator	Green LED
Power Supply	100-240V ACDC active switching; 12V DC-Out
Working Power (V)	12
Power Consumption (W)	17
Stand-By Consumption (W)	<1

Internal Connectors
1x SO-DIMM Slot, max. 4GB, DDR3L-1333 Single channel memory
1x 12V DC power connector (2-pin); 1x 4-pin SATA power connector
2x S-ATA 3GB/s ports; 1x 5-pin LCD power connector
1x VGA pin header; 1x SIM-card-Header (connected to MiniPCIe); 1x LVDS connector
1x S/PDIF output pin header
1x 4-pin (2x2W) audio amplifier connector
1x PS/2 keyboard/mouse connector (6-pin)
2x USB 2.0 header supports additional 4x USB 2.0 ports
2x RS232 COM connectors (1x externally connected); 1x 8-bit Digital I/O interface
1x Chassis Fan connector

External Connectors
1x Display port
1x USB 3.0; 3x USB 2.0 ports
2x COM port Full-PIN (RS232; 5V/12V)
2x 10/100/1000Mbit RJ45 Ports
MIC-In, EAR-Out
1x 12V DC-In (screwable)
2x W-LAN connector

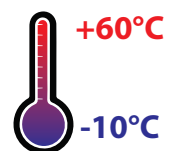
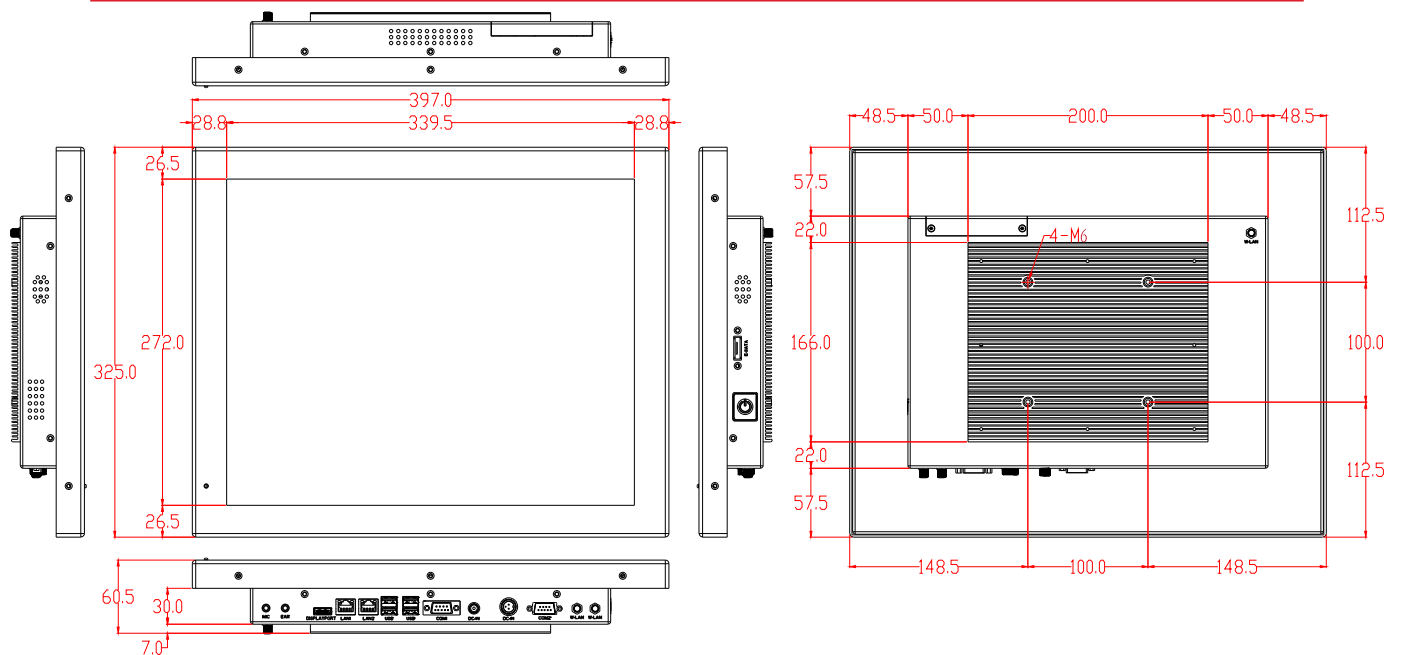
Expansion slots
2x Mini Card slots with PCIe and USB interface (2x Full Height/Half height changeable)

Included in the Delivery
Power Supply (see Power section)
3-Pin Power Connector
Driver DVD
Short Installation Manual
W-LAN Antenna
Stylus

17" Resistive Touch PC



FTV100SF stand shown is optional



7" - 19" Resistive Touch PCs

Product name	17" Resistive Touch PC
Article code / EAN number	FT17N2807W2G64G / 6920734017522
PC System	
CPU	Intel® Celeron™ DualCore N2807
Chipset	Intel® E3800
Graphic GPU	Intel® HD Graphics
Audio	Realtek 887 8 -channel high definition audio codec, Audio Amplifier EUA 2012A
Memory	1x 2GB DDR3L SODimm (expandable to 4GB)
Storage	faytech Industrial 64GB SSD
Network	2x Realtek PCIe GB LAN 8111G
Driver Support	Win7/8/10; Linux; 32Bit/64Bit
Pre-installed OS	Linux Ubuntu
LCD Panel	
IP rating	IP40
Screen diagonal (Inch/cm)	17/43.18
Display active screen size (cm)	33.79×27.04
Aspect ratio	5:4
Physical resolution	1280×1024
External Maximum showable resolution - DP	1920×1200
Colours displayed	16.7M
Brightness (cd/m ²)	250
Contrast	1000:1
Typical reaction time Tr/ Tf (ms)	3.8/1.2
Visual Angle horizontal/vertical (°)	170/160
Backlight / Backlight Lifetime (hours)	LED / 30,000
Touch Panel	
Touch Technology	5-Wire Resistive
Touch Connector	USB
Touch Life (Contacts)	10 million touch in 1 location
Surface Hardness	3H
Surface Treatment	Anti-glare
Operation / Mechanical	
Operating Temperature (°C)	-10 ~ +60
Humidity Range (RH)	10% - 90%
Net weight (kg)	4.05
Gross weight (kg)	5.75 (incl. cartonage)
Housing material	Aluminum
Housing (cm) L × W × H	39.70 × 32.50 × 6.05
Mounting	VESA 100
Power	
Power Indicator	Green LED
Power Supply	100-240V ACDC active switching; 12V DC-Out
Working Power (V)	12
Power Consumption (W)	17
Stand-By Consumption (W)	<1

Internal Connectors
1x SO-DIMM Slot, max. 4GB, DDR3L-1333 Single channel memory
1x 12V DC power connector (2-pin); 1x 4-pin SATA power connector
2x S-ATA 3GB/s ports; 1x 5-pin LCD power connector
1x VGA pin header; 1x SIM-card-Header (connected to MiniPCIe); 1x LVDS connector
1x S/PDIF output pin header
1x 4-pin (2x2W) audio amplifier connector
1x PS/2 keyboard/mouse connector (6-pin)
2x USB 2.0 header supports additional 4x USB 2.0 ports
2x RS232 COM connectors (1x externally connected); 1x 8-bit Digital I/O interface
1x Chassis Fan connector

External Connectors
1x Display port
1x USB 3.0; 3x USB 2.0 ports
2x COM port Full-PIN (RS232; 5V/12V)
2x 10/100/1000Mbit RJ45 Ports
MIC-In, EAR-Out
1x 12V DC-In (screwable)
2x W-LAN connector

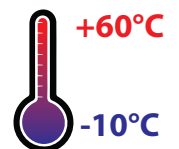
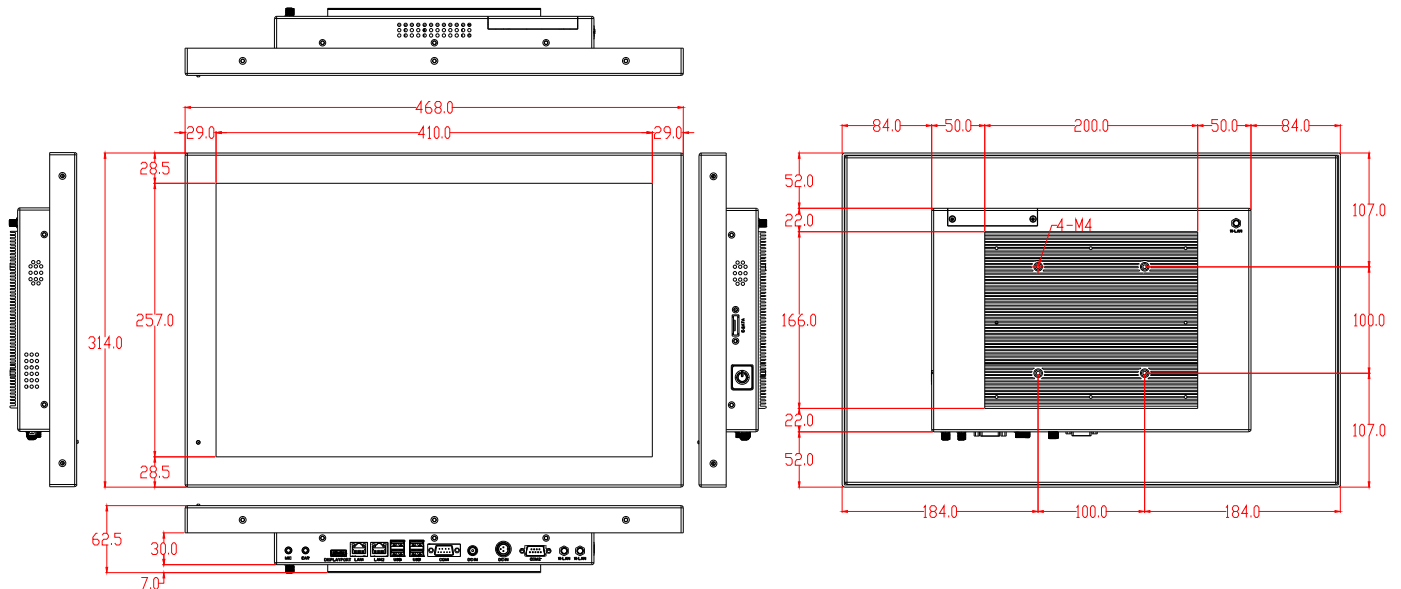
Expansion slots
2x Mini Card slots with PCIe and USB interface (2x Full Height/Half height changeable)

Included in the Delivery
Power Supply (see Power section)
3-Pin Power Connector
Driver DVD
Short Installation Manual
W-LAN Antenna
Stylus

19" Resistive Touch PC



FTV100SF stand shown is optional



7" - 19" Resistive Touch PCs

Product name	19" Resistive Touch PC
Article code / EAN number	FT19N2807W2G64G / 6920734019526
PC System	
CPU	Intel® Celeron™ DualCore N2807
Chipset	Intel® E3800
Graphic GPU	Intel® HD Graphics
Audio	Realtek 887 8 -channel high definition audio codec, Audio Amplifier EUA 2012A
Memory	1x 2GB DDR3L SODimm (expandable to 4GB)
Storage	faytech Industrial 64GB SSD
Network	2x Realtek PCIe GB LAN 8111G
Driver Support	Win7/8/10; Linux; 32Bit/64Bit
Pre-installed OS	Linux Ubuntu
LCD Panel	
IP rating	IP40
Screen diagonal (Inch/cm)	19/48.26
Display active screen size (cm)	41.22x25.91
Aspect ratio	16:10
Physical resolution	1440x900
External Maximum showable resolution - DP	1920x1200
Colours displayed	16.7M
Brightness (cd/m ²)	250
Contrast	1000:1
Typical reaction time Tr/ Tf (ms)	1.5/3.5
Visual Angle horizontal/vertical (°)	170/160
Backlight / Backlight Lifetime (hours)	LED / 30,000
Touch Panel	
Touch Technology	5-Wire Resistive
Touch Connector	USB
Touch Life (Contacts)	10 million touch in 1 location
Surface Hardness	3H
Surface Treatment	Anti-glare
Operation / Mechanical	
Operating Temperature (°C)	-10 ~ +60
Humidity Range (RH)	10% - 90%
Net weight (kg)	4.75
Gross weight (kg)	7.10 (incl. cartonage)
Housing material	Aluminum
Housing (cm) L × W × H	46.80 × 31.40 × 6.25
Mounting	VESA 100
Power	
Power Indicator	Green LED
Power Supply	100-240V ACDC active switching; 12V DC-Out
Working Power (V)	12
Power Consumption (W)	21
Stand-By Consumption (W)	<1

Internal Connectors
1x SO-DIMM Slot, max. 4GB, DDR3L-1333 Single channel memory
1x 12V DC power connector (2-pin); 1x 4-pin SATA power connector
2x S-ATA 3GB/s ports; 1x 5-pin LCD power connector
1x VGA pin header; 1x SIM-card-Header (connected to MiniPCIe); 1x LVDS connector
1x S/PDIF output pin header
1x 4-pin (2x2W) audio amplifier connector
1x PS/2 keyboard/mouse connector (6-pin)
2x USB 2.0 header supports additional 4x USB 2.0 ports
2x RS232 COM connectors (1x externally connected); 1x 8-bit Digital I/O interface
1x Chassis Fan connector

External Connectors
1x Display port
1x USB 3.0; 3x USB 2.0 ports
2x COM port Full-PIN (RS232; 5V/12V)
2x 10/100/1000Mbit RJ45 Ports
MIC-In, EAR-Out
1x 12V DC-In (screwable)
2x W-LAN connector

Expansion slots
2x Mini Card slots with PCIe and USB interface (2x Full Height/Half height changeable)

Included in the Delivery
Power Supply (see Power section)
3-Pin Power Connector
Driver DVD
Short Installation Manual
W-LAN Antenna
Stylus

7"-22" Capacitive Touch PCs

faytech's Capacitive PC series stands out among competition with its fanless silent operation, IP65 front panel design, high reliability and fine craftwork.

The Touch PC features a sleek modern appearance. Flat edge to edge glass with patented silicone rubberized seal makes sure the front panel is water- and dust proof to meet the IP65 standards. The aluminum back case, manufactured out of a continuous casting mold, provides stable VESA 100 fixation, and various connectors e.g. four serial ports, eight GPIOs or USB 3.0.

The heart of Capacitive Touch PC series is fay-002 industrial mainboard powered by Intel® Celeron™ J1900 QuadCore processor with up to 2.42 GHz frequency, 4G RAM, 64G SSD and Intel®'s HD Graphic chipset, supporting Full HD, Direct X 11.1 and OpenGL 4.0.

The capacitive touch panel is inhouse developed by faytech's experienced engineers. Anti glare chemically etched surface treatment, 10-finger multitouch and unlimited touches without failure on the touch panel are class leading features. Behind that touch panel is a faytech's A+ LCD panel, ensuring that there is not even a single sub-pixel defect. As an option, customers can choose optical bonding and high brightness panels to further enhance the using experience of the product.

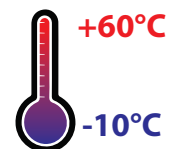
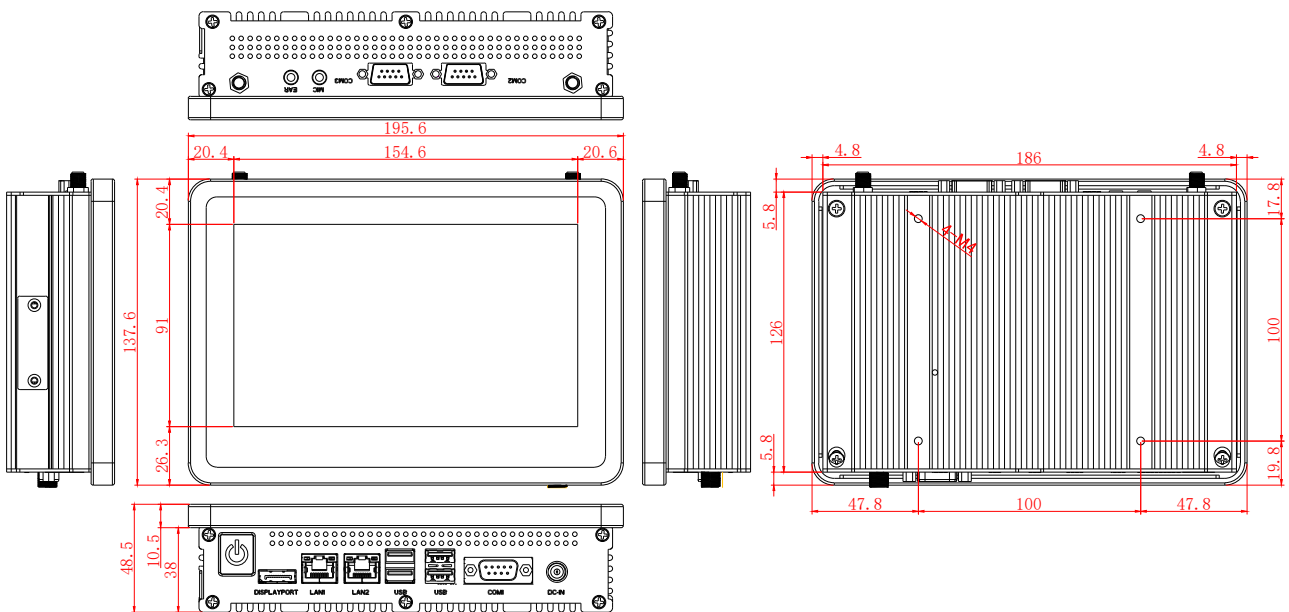
faytech's Capacitive Touch PCs provide best performance and stability during long term operation in present demanding manufacturing, commercial, and retail environments.





10.1" Capacitive Touch PCs shown in the picture were exclusively designed and manufactured for Ergo-fit

7" Capacitive Touch PC



7" - 22" Capacitive Touch PCs

Product name	7" Capacitive Touch PC
Article code / EAN number	FT07N2807W2G64GCAP / 6920734007530
PC System	
CPU	Intel® Celeron™ DualCore N2807
Chipset	Intel® E3800
Graphic GPU	Intel® HD Graphics
Audio	Realtek 887 8 -channel high definition audio codec, Audio Amplifier EUA 2012A
Memory	1x 2GB DDR3L SODimm (expandable to 4GB)
Storage	faytech Industrial 64GB SSD
Network	2x Realtek PCIe GB LAN 8111G
Driver Support	Win7/8/10; Linux; 32Bit/64Bit
Pre-installed OS	Linux Ubuntu
LCD Panel	
IP rating	IP65 Front / IP40 Back
Screen diagonal (Inch/cm)	7/17.78
Display active screen size (cm)	15.36×9.00
Aspect ratio	16:9
Physical resolution	1024×600
External Maximum showable resolution - DP	1920×1200
Colours displayed	16.7M
Brightness (cd/m ²)	500
Contrast	700:1
Typical reaction time Tr/ Tf (ms)	10/15
Visual Angle horizontal/vertical (°)	150/145
Backlight / Backlight Lifetime (hours)	LED / 40,000
Touch Panel	
Touch Technology	Projected Capacitive 10-Point Multitouch
Touch Connector	USB
Touch Life (Contacts)	Unlimited
Surface Hardness	7H
Operation / Mechanical	
Operating Temperature (°C)	-10 ~ +60
Humidity Range (RH)	10% - 90%
Net weight (kg)	2.30
Gross weight (kg)	2.50 (incl. cartonage)
Housing material	Rubber Front Case, Aluminum IPC Back Case
Housing (cm) L × W × H	19.56 × 13.76 × 4.85
Mounting	VESA 100
Power	
Power Indicator	Green LED
Power Supply	100-240V ACDC active switching; 12V DC-Out
Working Power (V)	12
Power Consumption (W)	15
Stand-By Consumption (W)	<1

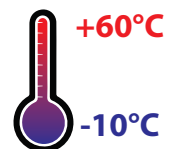
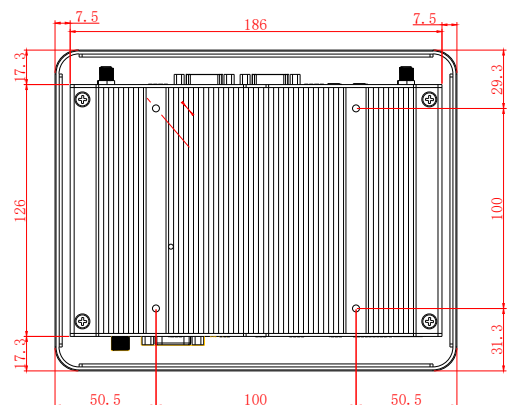
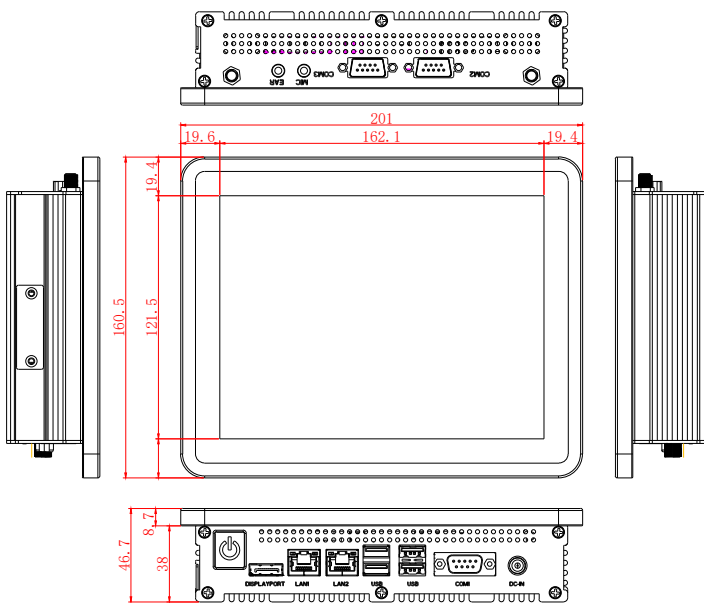
Internal Connectors
1x SO-DIMM Slot, max. 4GB, DDR3L-1333 Single channel memory
1x 12V DC power connector (2-pin); 1x 4-pin SATA power connector
2x S-ATA 3GB/s ports; 1x 5-pin LCD power connector
1x VGA pin header; 1x SIM-card-Header (connected to MiniPCIe); 1x LVDS connector
1x S/PDIF output pin header
1x Line-Out / Mic-In audio pin header (externally connected)
1x 4-pin (2x2W) audio amplifier connector
1x PS/2 keyboard/mouse connector (6-pin)
2x USB 2.0 header supports additional 4x USB 2.0 ports
2x RS232 COM connectors (2x externally connected); 1x 8-bit Digital I/O interface
1x Chassis Fan connector

External Connectors
1x Display port
1x USB 3.0; 3x USB 2.0 ports
3x COM port Full-PIN (RS232; 5V/12V)
2x 10/100/1000Mbit RJ45 Ports
MIC-In, EAR-Out
1x 12V DC-In (screwable)
2x W-LAN connector

Expansion slots
2x Mini Card slots with PCIe and USB interface (2x Full Height/Half height changeable)

Included in the Delivery
Power Supply (see Power section)
Driver DVD
Short Installation Manual
W-LAN Antenna

8" Capacitive Touch PC



7" - 22" Capacitive Touch PCs

Product name	8" Capacitive Touch PC
Article code / EAN number	FT08N2807W2G64GCAP / 6920734008537
PC System	
CPU	Intel® Celeron™ DualCore N2807
Chipset	Intel® E3800
Graphic GPU	Intel® HD Graphics
Audio	Realtek 887 8 -channel high definition audio codec, Audio Amplifier EUA 2012A
Memory	1x 2GB DDR3L SODimm (expandable to 4GB)
Storage	faytech Industrial 64GB SSD
Network	2x Realtek PCIe GB LAN 8111G
Driver Support	Win7/8/10; Linux; 32Bit/64Bit
Pre-installed OS	Linux Ubuntu
LCD Panel	
IP rating	IP65 Front / IP40 Back
Screen diagonal (Inch/cm)	8/20.32
Display active screen size (cm)	16.20×12.20
Aspect ratio	4:3
Physical resolution	1024×768
External Maximum showable resolution - DP	1920×1200
Colours displayed	16.7M
Brightness (cd/m ²)	250
Contrast	700:1
Typical reaction time Tr/ Tf (ms)	6/14
Visual Angle horizontal/vertical (°)	150/150
Backlight / Backlight Lifetime (hours)	LED / 20,000
Touch Panel	
Touch Technology	Projected Capacitive 10-Point Multitouch
Touch Connector	USB
Touch Life (Contacts)	Unlimited
Surface Hardness	7H
Operation / Mechanical	
Operating Temperature (°C)	-10 ~ +60
Humidity Range (RH)	10% - 90%
Net weight (kg)	1.80
Gross weight (kg)	2.10 (incl. cartonage)
Housing material	Rubber Front Case, Aluminum IPC Back Case
Housing (cm) L × W × H	20.10 × 16.05 × 4.67
Mounting	VESA 100
Power	
Power Indicator	Green LED
Power Supply	100-240V ACDC active switching; 12V DC-Out
Working Power (V)	12
Power Consumption (W)	14
Stand-By Consumption (W)	<1

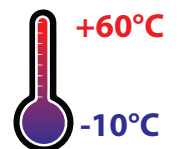
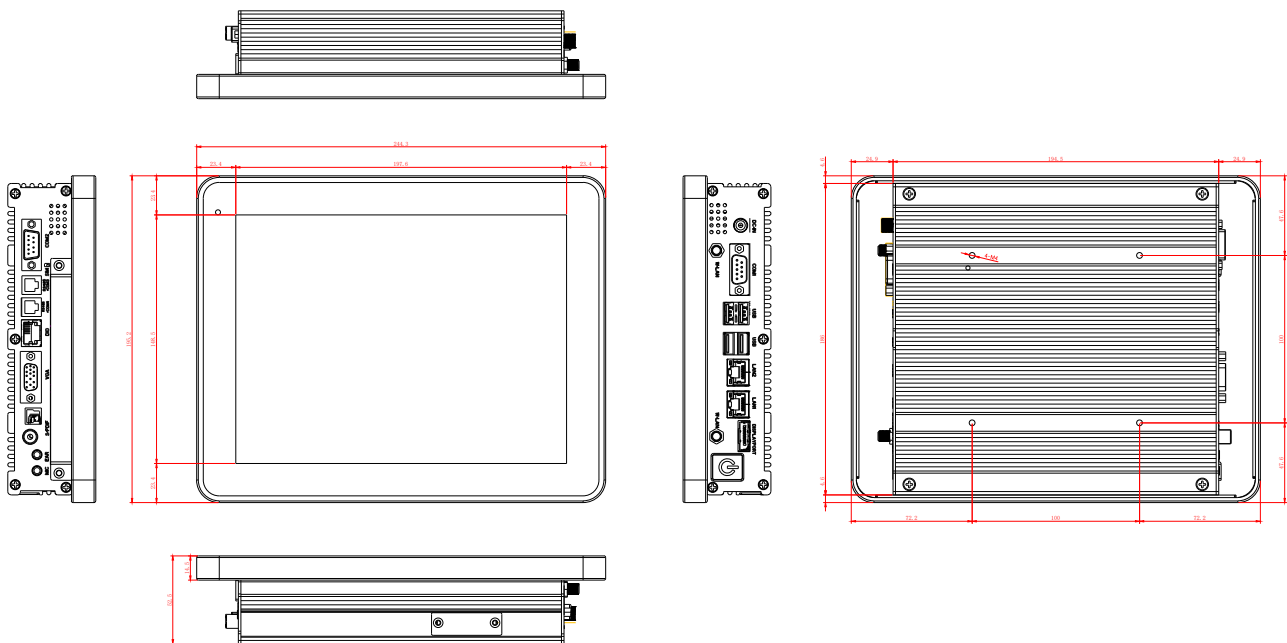
Internal Connectors
1x SO-DIMM Slot, max. 4GB, DDR3L-1333 Single channel memory
1x 12V DC power connector (2-pin); 1x 4-pin SATA power connector
2x S-ATA 3GB/s ports; 1x 5-pin LCD power connector
1x VGA pin header; 1x SIM-card-Header (connected to MiniPCIe); 1x LVDS connector
1x S/PDIF output pin header
1x 4-pin (2x2W) audio amplifier connector
1x PS/2 keyboard/mouse connector (6-pin)
2x USB 2.0 header supports additional 4x USB 2.0 ports
2x RS232 COM connectors (2x externally connected); 1x 8-bit Digital I/O interface
1x Chassis Fan connector

External Connectors
1x Display port
1x USB 3.0; 3x USB 2.0 ports
3x COM port Full-PIN (RS232; 5V/12V)
2x 10/100/1000Mbit RJ45 Ports
MIC-In, EAR-Out
1x 12V DC-In (screwable)
2x W-LAN connector

Expansion slots
2x Mini Card slots with PCIe and USB interface (2x Full Height/Half height changeable)

Included in the Delivery
Power Supply (see Power section)
Driver DVD
Short Installation Manual
W-LAN Antenna

10" Capacitive Touch PC



7" - 22" Capacitive Touch PCs

Product name	10" Capacitive Touch PC
Article code / EAN number	FT10J1900W4G64GCAP / 6920734010585
PC System	
CPU	Intel® Celeron™ QuadCore J1900
Chipset	Intel® E3800
Graphic GPU	Intel® HD Graphics
Audio	Realtek 887 8 -channel high definition audio codec, Audio Amplifier EUA 2012A
Memory	1x 4GB DDR3L SODimm (expandable to 8GB)
Storage	faytech Industrial 64GB SSD
Network	2x Realtek PCIe GB LAN 8111G
Driver Support	Win7/8/10; Linux; 32Bit/64Bit
Pre-installed OS	Linux Ubuntu
LCD Panel	
IP rating	IP65 Front / IP40 Back
Screen diagonal (Inch/cm)	9.7/24.64
Display active screen size (cm)	19.7×14.7
Aspect ratio	4:3
Physical resolution	1024×768
External Maximum showable resolution - DP, VGA	1920×1200
Colours displayed	16.7M
Brightness (cd/m ²)	350
Contrast	800:1
Typical reaction time Tr/ Tf (ms)	10/15
Visual Angle horizontal/vertical (°)	170/170
Backlight / Backlight Lifetime (hours)	LED / 20,000
Touch Panel	
Touch Technology	Projected Capacitive 10-Point Multitouch
Touch Connector	USB
Touch Life (Contacts)	Unlimited
Surface Hardness	7H
Surface Treatment	Anti-glare (chemical etched)
Operation / Mechanical	
Operating Temperature (°C)	-10 ~ +60
Humidity Range (RH)	10% - 90%
Net weight (kg)	2.00
Gross weight (kg)	2.90 (incl. cartonage)
Housing material	Rubber Front Case, Aluminum IPC Back Case
Housing (cm) L × W × H	24.43 × 19.52 × 5.25
Mounting	VESA 100
Power	
Power Indicator	Green LED
Power Supply	100-240V ACDC active switching; 12V DC-Out
Working Power (V)	12
Power Consumption (W)	14
Stand-By Consumption (W)	<1

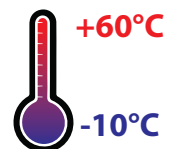
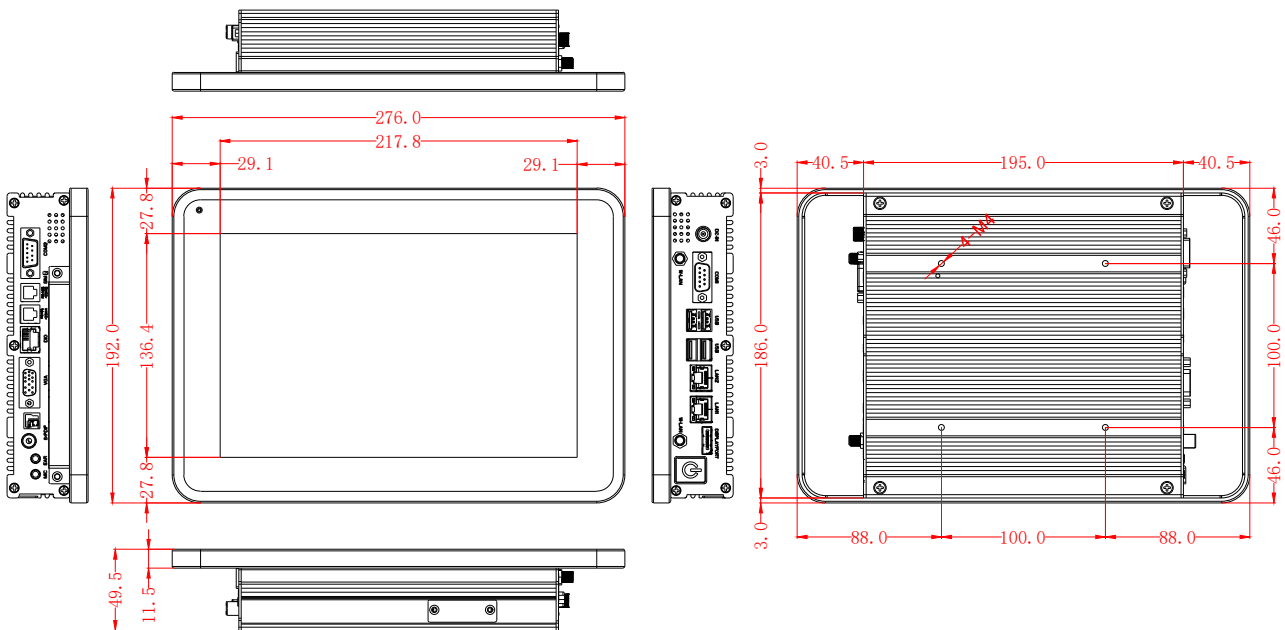
Internal Connectors
1x SO-DIMM Slot, max. 8GB, DDR3L-1333 Single channel memory
1x 12V DC power connector (2-pin); 1x 4-pin SATA power connector
2x S-ATA 3GB/s ports; 1x 5-pin LCD power connector
1x VGA pin header; 1x SIM-card-Header (connected to MiniPCIe); 1x LVDS connector
1x S/PDIF output pin header; 1x 8-bit Digital I/O interface
1x 4-pin (2x2W) audio amplifier connector
1x PS/2 keyboard/mouse connector (6-pin)
2x USB 2.0 header supports additional 4x USB 2.0 ports
3x RS232/RS485 COM connectors, switchable between RS232/RS485 in BIOS
1x Chassis Fan connector

External Connectors
1x Display port; 1x VGA-out (from internal header)
1x USB 3.0; 3x USB 2.0 ports
2x COM port Full-Pin (RS232/485; 5V/12V)
2x 10/100/1000Mbit RJ45 Ports; 2x W-LAN connector; 1x 12V DC-In (screwable)
S/PDIF-Out (1x Cinch, 1x Torx)
MIC-In, EAR-Out; 8x In/Out GPIO as RJ45
1x 2.5" module slot, changeable SSD included

Expansion slots
2x Mini Card slots with PCIe and USB interface (2x Full Height/Half height changeable)
1x PCIeX1 Straddle connector

Included in the Delivery
Power Supply (see Power section)
Driver DVD
Short Installation Manual
Standard Stand
W-LAN Antenna

10.1" Capacitive Touch PC



7" - 22" Capacitive Touch PCs

Product name	10.1" Capacitive Touch PC
Article code / EAN number	FT101J1900W4G64GCAP / 6920734010561
PC System	
CPU	Intel® Celeron™ QuadCore J1900
Chipset	Intel® E3800
Graphic GPU	Intel® HD Graphics
Audio	Realtek 887 8 -channel high definition audio codec, Audio Amplifier EUA 2012A
Memory	1x 4GB DDR3L SODimm (expandable to 8GB)
Storage	faytech Industrial 64GB SSD
Network	2x Realtek PCIe GB LAN 8111G
Driver Support	Win7/8/10; Linux; 32Bit/64Bit
Pre-installed OS	Linux Ubuntu
LCD Panel	
IP rating	IP65 Front / IP40 Back
Screen diagonal (Inch/cm)	10.1/25.65
Display active screen size (cm)	21.70×13.60
Aspect ratio	16:10
Physical resolution	1028×800
External Maximum showable resolution - DP, VGA	1920×1200
Colours displayed	16.7M
Brightness (cd/m ²)	350
Contrast	800:1
Typical reaction time Tr/ Tf (ms)	10/15
Visual Angle horizontal/vertical (°)	170/170
Backlight / Backlight Lifetime (hours)	LED / 20,000
Touch Panel	
Touch Technology	Projected Capacitive 10-Point Multitouch
Touch Connector	USB
Touch Life (Contacts)	Unlimited
Surface Hardness	7H
Surface Treatment	Anti-glare (chemical etched)
Operation / Mechanical	
Operating Temperature (°C)	-10 ~ +60
Humidity Range (RH)	10% - 90%
Net weight (kg)	2.00
Gross weight (kg)	2.90 (incl. cartonage)
Housing material	Rubber Front Case, Aluminum IPC Back Case
Housing (cm) L × W × H	27.60 × 19.20 × 4.95
Mounting	VESA 100
Power	
Power Indicator	Green LED
Power Supply	100-240V ACDC active switching; 12V DC-Out
Working Power (V)	12
Power Consumption (W)	14
Stand-By Consumption (W)	<1

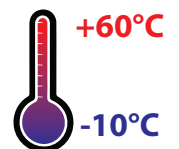
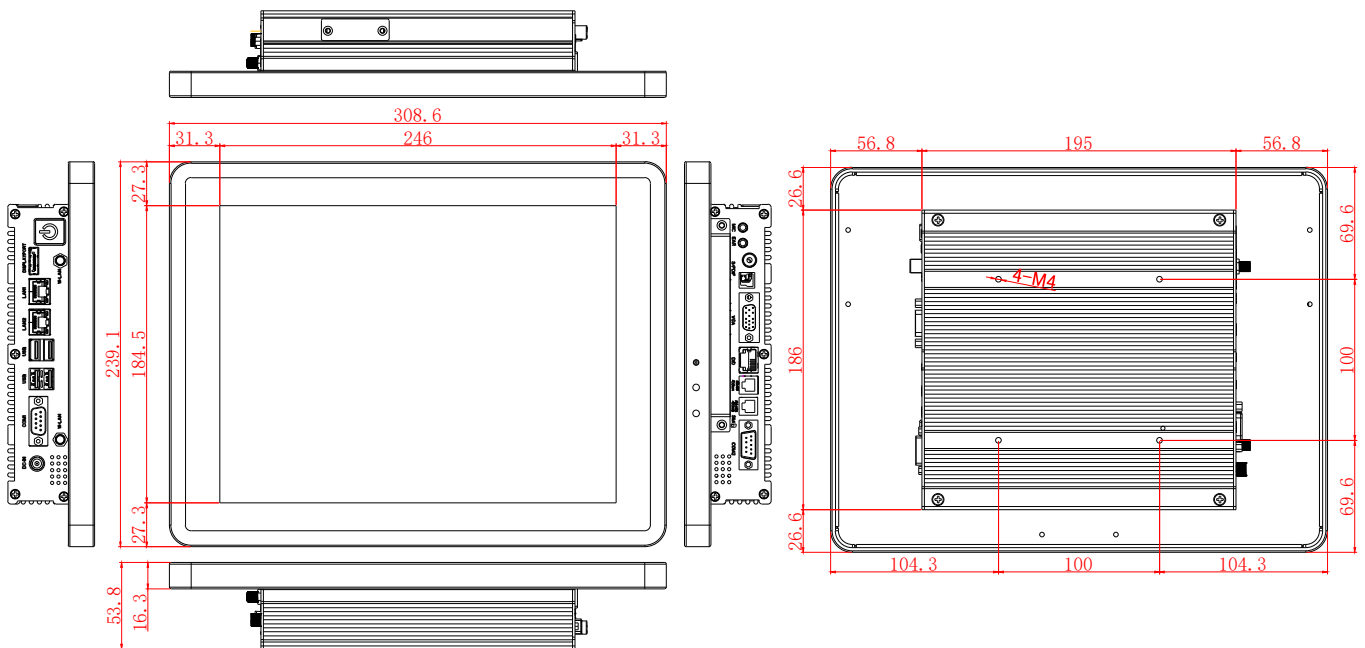
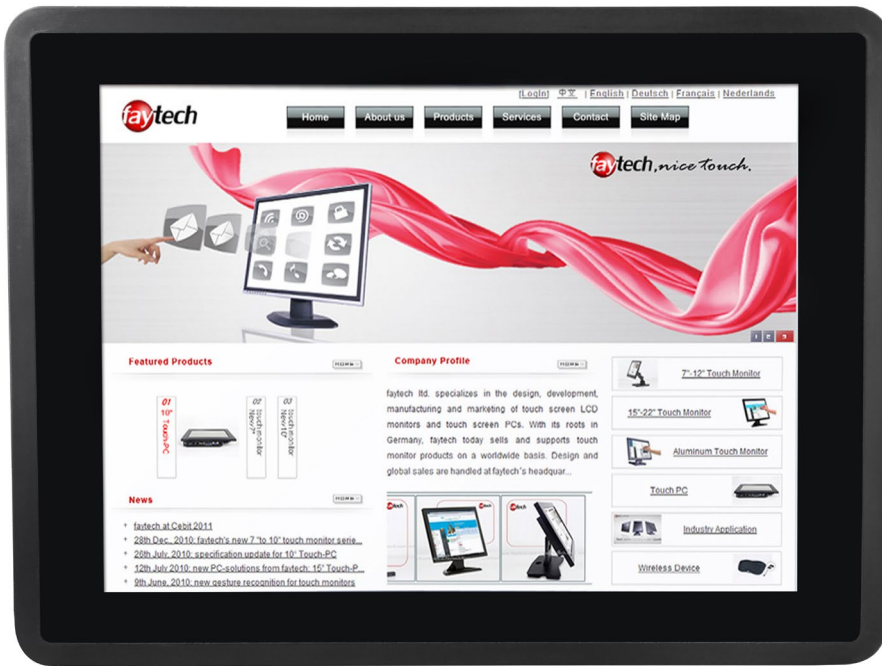
Internal Connectors
1x SO-DIMM Slot, max. 8GB, DDR3L-1333 Single channel memory
1x 12V DC power connector (2-pin); 1x 4-pin SATA power connector
2x S-ATA 3GB/s ports; 1x 5-pin LCD power connector
1x VGA pin header; 1x SIM-card-Header (connected to MiniPCIe); 1x LVDS connector
1x S/PDIF output pin header; 1x 8-bit Digital I/O interface
1x 4-pin (2x2W) audio amplifier connector
1x PS/2 keyboard/mouse connector (6-pin)
2x USB 2.0 header supports additional 4x USB 2.0 ports
3x RS232/RS485 COM connectors, switchable between RS232/RS485 in BIOS
1x Chassis Fan connector

External Connectors
1x Display port; 1x VGA-out (from internal header)
1x USB 3.0; 3x USB 2.0 ports
2x COM port Full-Pin (RS232/485; 5V/12V)
2x 10/100/1000Mbit RJ45 Ports; 2x W-LAN connector; 1x 12V DC-In (screwable)
S/PDIF-Out (1x Cinch, 1x Torx)
MIC-In, EAR-Out; 8x In/Out GPIO as RJ45
1x 2.5" module slot, changeable SSD included

Expansion slots
2x Mini Card slots with PCIe and USB interface (2x Full Height/Half height changeable)
1x PCIeX1 Straddle connector

Included in the Delivery
Power Supply (see Power section)
Driver DVD
Short Installation Manual
Standard Stand
W-LAN Antenna

12.1" Capacitive Touch PC



7" - 22" Capacitive Touch PCs

Product name	12.1" Capacitive Touch PC
Article code / EAN number	FT12J1900W4G64GCAP / 6920734012534
PC System	
CPU	Intel® Celeron™ QuadCore J1900
Chipset	Intel® E3800
Graphic GPU	Intel® HD Graphics
Audio	Realtek 887 8 -channel high definition audio codec, Audio Amplifier EUA 2012A
Memory	1x 4GB DDR3L SODimm (expandable to 8GB)
Storage	faytech Industrial 64GB SSD
Network	2x Realtek PCIe GB LAN 8111G
Driver Support	Win7/8/10; Linux; 32Bit/64Bit
Pre-installed OS	Linux Ubuntu
LCD Panel	
IP rating	IP65 Front / IP40 Back
Screen diagonal (Inch/cm)	12.1/30.73
Display active screen size (cm)	24.60×18.40
Aspect ratio	4:3
Physical resolution	1024×768
External Maximum showable resolution - DP, VGA	1920×1200
Colours displayed	16.7M
Brightness (cd/m ²)	500
Contrast	700:1
Typical reaction time Tr/ Tf (ms)	25/10
Visual Angle horizontal/vertical (°)	160/160
Backlight / Backlight Lifetime (hours)	LED / 30,000
Touch Panel	
Touch Technology	Projected Capacitive 10-Point Multitouch
Touch Connector	USB
Touch Life (Contacts)	Unlimited
Surface Hardness	7H
Surface Treatment	Anti-glare (chemical etched)
Operation / Mechanical	
Operating Temperature (°C)	-10 ~ +60
Humidity Range (RH)	10% - 90%
Net weight (kg)	3.50
Gross weight (kg)	5.50 (incl. cartonage)
Housing material	Rubber Front Case, Aluminum IPC Back Case
Housing (cm) L × W × H	30.86 × 23.91 × 5.38
Mounting	VESA 100
Power	
Power Indicator	Green LED
Power Supply	100-240V ACDC active switching; 12V DC-Out
Working Power (V)	12
Power Consumption (W)	15
Stand-By Consumption (W)	<1

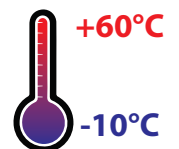
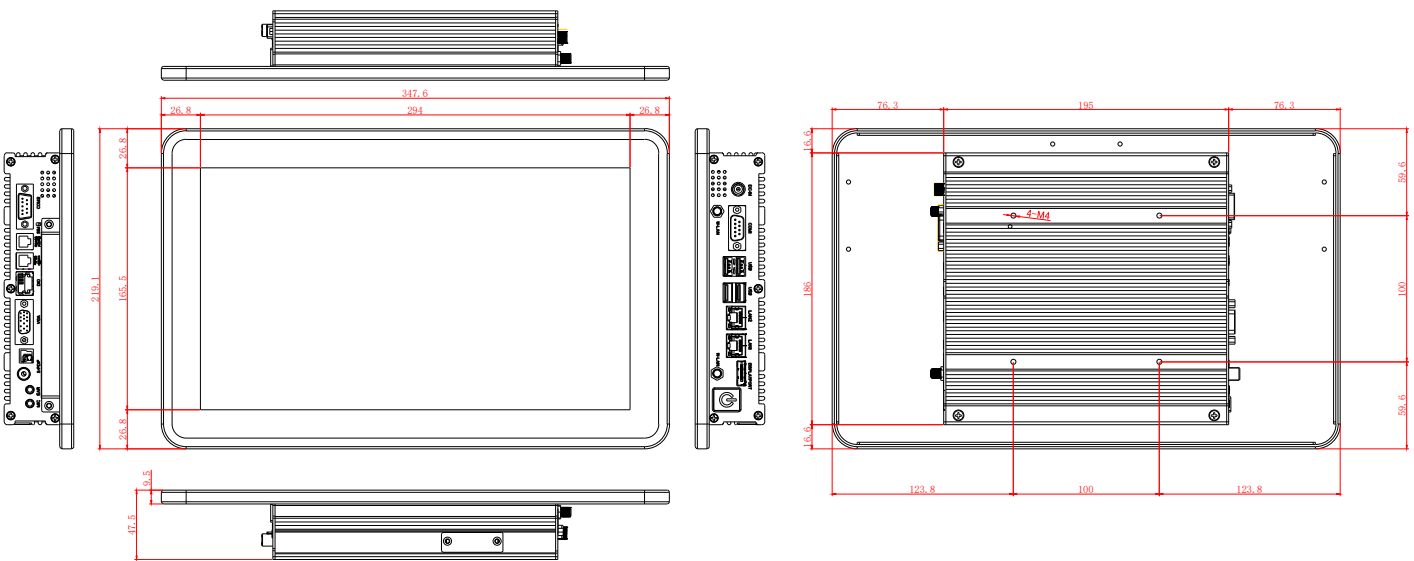
Internal Connectors
1x SO-DIMM Slot, max. 8GB, DDR3L-1333 Single channel memory
1x 12V DC power connector (2-pin); 1x 4-pin SATA power connector
2x S-ATA 3GB/s ports; 1x 5-pin LCD power connector
1x VGA pin header; 1x SIM-card-Header (connected to MiniPCIe); 1x LVDS connector
1x S/PDIF output pin header; 1x 8-bit Digital I/O interface
1x 4-pin (2x2W) audio amplifier connector
1x PS/2 keyboard/mouse connector (6-pin)
2x USB 2.0 header supports additional 4x USB 2.0 ports
3x RS232/RS485 COM connectors, switchable between RS232/RS485 in BIOS
1x Chassis Fan connector

External Connectors
1x Display port; 1x VGA-out (from internal header)
1x USB 3.0; 3x USB 2.0 ports
2x COM port Full-Pin (RS232/485; 5V/12V)
2x 10/100/1000Mbit RJ45 Ports; 2x W-LAN connector; 1x 12V DC-In (screwable)
S/PDIF-Out (1x Cinch, 1x Torx)
MIC-In, EAR-Out; 8x In/Out GPIO as RJ45
1x 2.5" module slot, changeable SSD included

Expansion slots
2x Mini Card slots with PCIe and USB interface (2x Full Height/Half height changeable)
1x PCIeX1 Straddle connector

Included in the Delivery
Power Supply (see Power section)
Driver DVD
Short Installation Manual
Standard Stand
W-LAN Antenna

13.3" Capacitive Touch PC



7" - 22" Capacitive Touch PCs

Product name	13.3" Capacitive Touch PC
Article code / EAN number	FT133J1900W4G64GCAP / 6920734013517
PC System	
CPU	Intel® Celeron™ QuadCore J1900
Chipset	Intel® E3800
Graphic GPU	Intel® HD Graphics
Audio	Realtek 887 8 -channel high definition audio codec, Audio Amplifier EUA 2012A
Memory	1x 4GB DDR3L SODimm (expandable to 8GB)
Storage	faytech Industrial 64GB SSD
Network	2x Realtek PCIe GB LAN 8111G
Driver Support	Win7/8/10; Linux; 32Bit/64Bit
Pre-installed OS	Linux Ubuntu
LCD Panel	
IP rating	IP65 Front / IP40 Back
Screen diagonal (Inch/cm)	13.3/33.78
Display active screen size (cm)	29.37×16.52
Aspect ratio	16:9
Physical resolution	1920×1080
External Maximum showable resolution - DP, VGA	1920×1200
Colours displayed	16.7M
Brightness (cd/m ²)	350
Contrast	700:1
Typical reaction time Tr/ Tf (ms)	14/11
Visual Angle horizontal/vertical (°)	178/178
Backlight / Backlight Lifetime (hours)	LED / min. 15,000
Touch Panel	
Touch Technology	Projected Capacitive 10-Point Multitouch
Touch Connector	USB
Touch Life (Contacts)	Unlimited
Surface Hardness	7H
Surface Treatment	Anti-glare (chemical etched)
Operation / Mechanical	
Operating Temperature (°C)	-10 ~ +60
Humidity Range (RH)	10% - 90%
Net weight (kg)	3.40
Gross weight (kg)	5.30 (incl. cartonage)
Housing material	Rubber Front Case, Aluminum IPC Back Case
Housing (cm) L × W × H	34.76 × 21.91 × 4.75
Mounting	VESA 100
Power	
Power Indicator	Green LED
Power Supply	100-240V ACDC active switching; 12V DC-Out
Working Power (V)	12
Power Consumption (W)	15
Stand-By Consumption (W)	<1

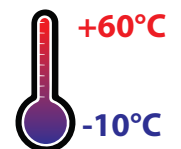
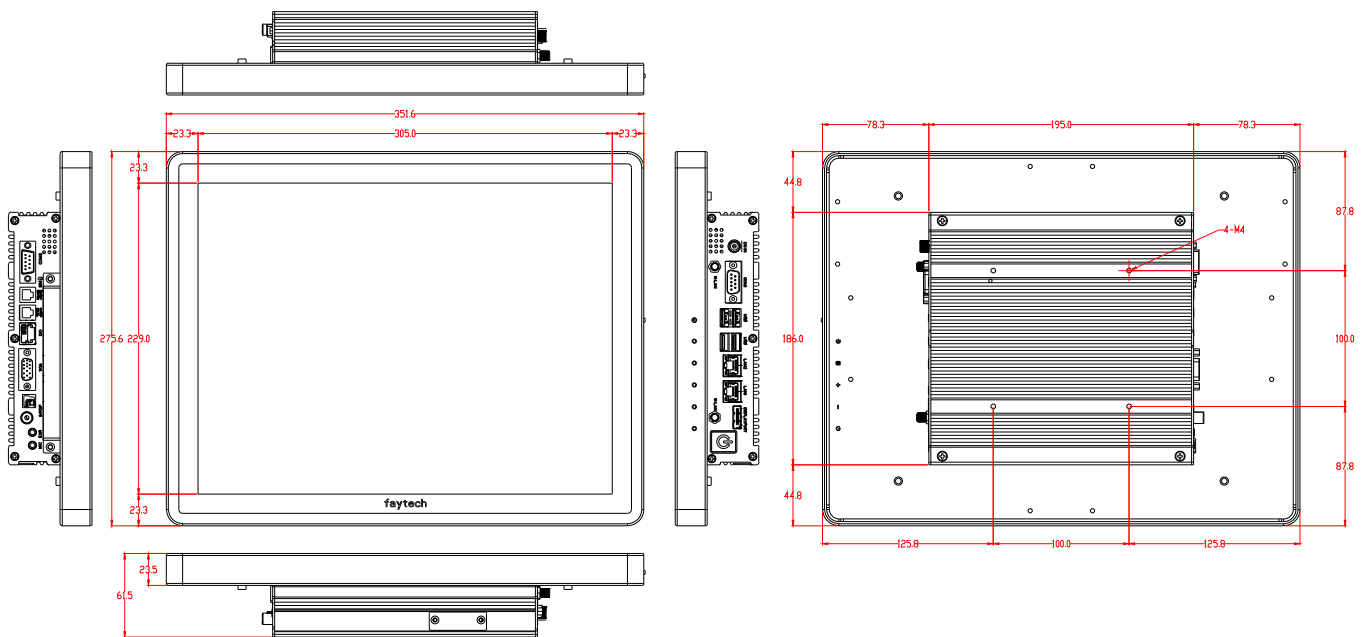
Internal Connectors
1x SO-DIMM Slot, max. 8GB, DDR3L-1333 Single channel memory
1x 12V DC power connector (2-pin); 1x 4-pin SATA power connector
2x S-ATA 3GB/s ports; 1x 5-pin LCD power connector
1x VGA pin header; 1x SIM-card-Header (connected to MiniPCIe); 1x LVDS connector
1x S/PDIF output pin header; 1x 8-bit Digital I/O interface
1x 4-pin (2x2W) audio amplifier connector
1x PS/2 keyboard/mouse connector (6-pin)
2x USB 2.0 header supports additional 4x USB 2.0 ports
3x RS232/RS485 COM connectors, switchable between RS232/RS485 in BIOS
1x Chassis Fan connector

External Connectors
1x Display port; 1x VGA-out (from internal header)
1x USB 3.0; 3x USB 2.0 ports
2x COM port Full-Pin (RS232/485; 5V/12V)
2x 10/100/1000Mbit RJ45 Ports; 2x W-LAN connector; 1x 12V DC-In (screwable)
S/PDIF-Out (1x Cinch, 1x Torx)
MIC-In, EAR-Out; 8x In/Out GPIO as RJ45
1x 2.5" module slot, changeable SSD included

Expansion slots
2x Mini Card slots with PCIe and USB interface (2x Full Height/Half height changeable)
1x PCIeX1 Straddle connector

Included in the Delivery
Power Supply (see Power section)
Driver DVD
Short Installation Manual
Standard Stand
W-LAN Antenna

15" Capacitive Touch PC



7" - 22" Capacitive Touch PCs

Product name	15" Capacitive Touch PC
Article code / EAN number	FT15J1900W4G64GCAP / 6920734015559
PC System	
CPU	Intel® Celeron™ QuadCore J1900
Chipset	Intel® E3800
Graphic GPU	Intel® HD Graphics
Audio	Realtek 887 8 -channel high definition audio codec, Audio Amplifier EUA 2012A
Memory	1x 4GB DDR3L SODimm (expandable to 8GB)
Storage	faytech Industrial 64GB SSD
Network	2x Realtek PCIe GB LAN 8111G
Driver Support	Win7/8/10; Linux; 32Bit/64Bit
Pre-installed OS	Linux Ubuntu
LCD Panel	
IP rating	IP65 Front / IP40 Back
Screen diagonal (Inch/cm)	15/38.10
Display active screen size (cm)	30.40×22.80
Aspect ratio	4:3
Physical resolution	1024×768
External Maximum showable resolution - DP, VGA	1920×1200
Colours displayed	16.7M
Brightness (cd/m ²)	300
Contrast	700:1
Typical reaction time Tr/ Tf (ms)	8/12
Visual Angle horizontal/vertical (°)	160/160
Backlight / Backlight Lifetime (hours)	LED / 30,000
Touch Panel	
Touch Technology	Projected Capacitive 10-Point Multitouch
Touch Connector	USB
Touch Life (Contacts)	Unlimited
Surface Hardness	7H
Surface Treatment	Anti-glare (chemical etched)
Operation / Mechanical	
Operating Temperature (°C)	-10 ~ +60
Humidity Range (RH)	10% - 90%
Net weight (kg)	3.40
Gross weight (kg)	5.30 (incl. cartonage)
Housing material	Rubber Front Case, Aluminum IPC Back Case
Housing (cm) L × W × H	35.16 × 27.56 × 6.15
Mounting	VESA 100
Power	
Power Indicator	Green LED
Power Supply	100-240V ACDC active switching; 12V DC-Out
Working Power (V)	12
Power Consumption (W)	17
Stand-By Consumption (W)	<1

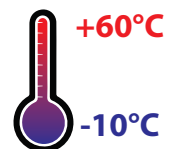
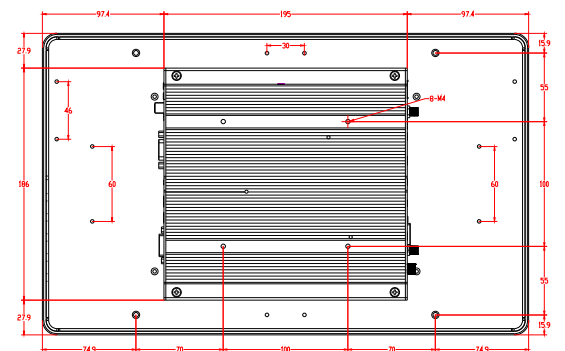
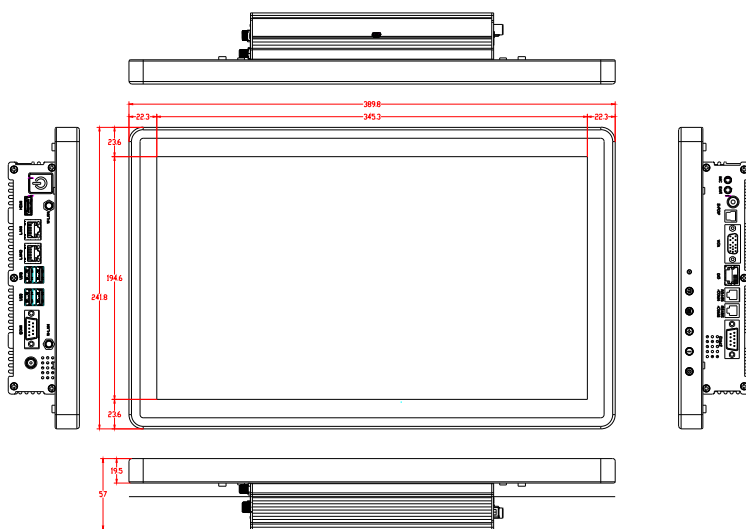
Internal Connectors
1x SO-DIMM Slot, max. 8GB, DDR3L-1333 Single channel memory
1x 12V DC power connector (2-pin); 1x 4-pin SATA power connector
2x S-ATA 3GB/s ports; 1x 5-pin LCD power connector
1x VGA pin header; 1x SIM-card-Header (connected to MiniPCIe); 1x LVDS connector
1x S/PDIF output pin header; 1x 8-bit Digital I/O interface
1x 4-pin (2x2W) audio amplifier connector
1x PS/2 keyboard/mouse connector (6-pin)
2x USB 2.0 header supports additional 4x USB 2.0 ports
3x RS232/RS485 COM connectors, switchable between RS232/RS485 in BIOS
1x Chassis Fan connector

External Connectors
1x Display port; 1x VGA-out (from internal header)
1x USB 3.0; 3x USB 2.0 ports
2x COM port Full-Pin (RS232/485; 5V/12V)
2x 10/100/1000Mbit RJ45 Ports; 2x W-LAN connector; 1x 12V DC-In (screwable)
S/PDIF-Out (1x Cinch, 1x Torx)
MIC-In, EAR-Out; 8x In/Out GPIO as RJ45
1x Button-Line with On/Off + 4 GPIO-buttons on front panel
1x 2.5" module slot, changeable SSD included

Expansion slots
2x Mini Card slots with PCIe and USB interface (2x Full Height/Half height changeable)
1x PCIeX1 Straddle connector

Included in the Delivery
Power Supply (see Power section)
Driver DVD
Short Installation Manual
Standard Stand
W-LAN Antenna

15.6" Capacitive Touch PC



7" - 22" Capacitive Touch PCs

Product name	15.6" Capacitive Touch PC
Article code / EAN number	FT156J1900W4G64GCAP / 6920734016501
PC System	
CPU	Intel® Celeron™ QuadCore J1900
Chipset	Intel® E3800
Graphic GPU	Intel® HD Graphics
Audio	Realtek 887 8 -channel high definition audio codec, Audio Amplifier EUA 2012A
Memory	1x 4GB DDR3L SODimm (expandable to 8GB)
Storage	faytech Industrial 64GB SSD
Network	2x Realtek PCIe GB LAN 8111G
Driver Support	Win7/8/10; Linux; 32Bit/64Bit
Pre-installed OS	Linux Ubuntu
LCD Panel	
IP rating	IP65 Front / IP40 Back
Screen diagonal (Inch/cm)	15.6/39.6
Display active screen size (cm)	34.42×19.36
Aspect ratio	16:9
Physical resolution	1920×1080
External Maximum showable resolution - DP, VGA	1920×1200
Colours displayed	262K
Brightness (cd/m ²)	250
Contrast	800:1
Typical reaction time Tr/ Tf (ms)	15/15
Visual Angle horizontal/vertical (°)	170/170
Backlight / Backlight Lifetime (hours)	LED / min. 15,000
Touch Panel	
Touch Technology	Projected Capacitive 10-Point Multitouch
Touch Connector	USB
Touch Life (Contacts)	Unlimited
Surface Hardness	7H
Surface Treatment	Anti-glare (chemical etched)
Operation / Mechanical	
Operating Temperature (°C)	-10 ~ +60
Humidity Range (RH)	10% - 90%
Net weight (kg)	3.40
Gross weight (kg)	5.30 (incl. cartonage)
Housing material	Rubber Front Case, Aluminum IPC Back Case
Housing (cm) L × W × H	38.98 × 24.18 × 5.70
Mounting	VESA 100
Power	
Power Indicator	Green LED
Power Supply	100-240V ACDC active switching; 12V DC-Out
Working Power (V)	12
Power Consumption (W)	16
Stand-By Consumption (W)	<1

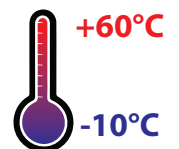
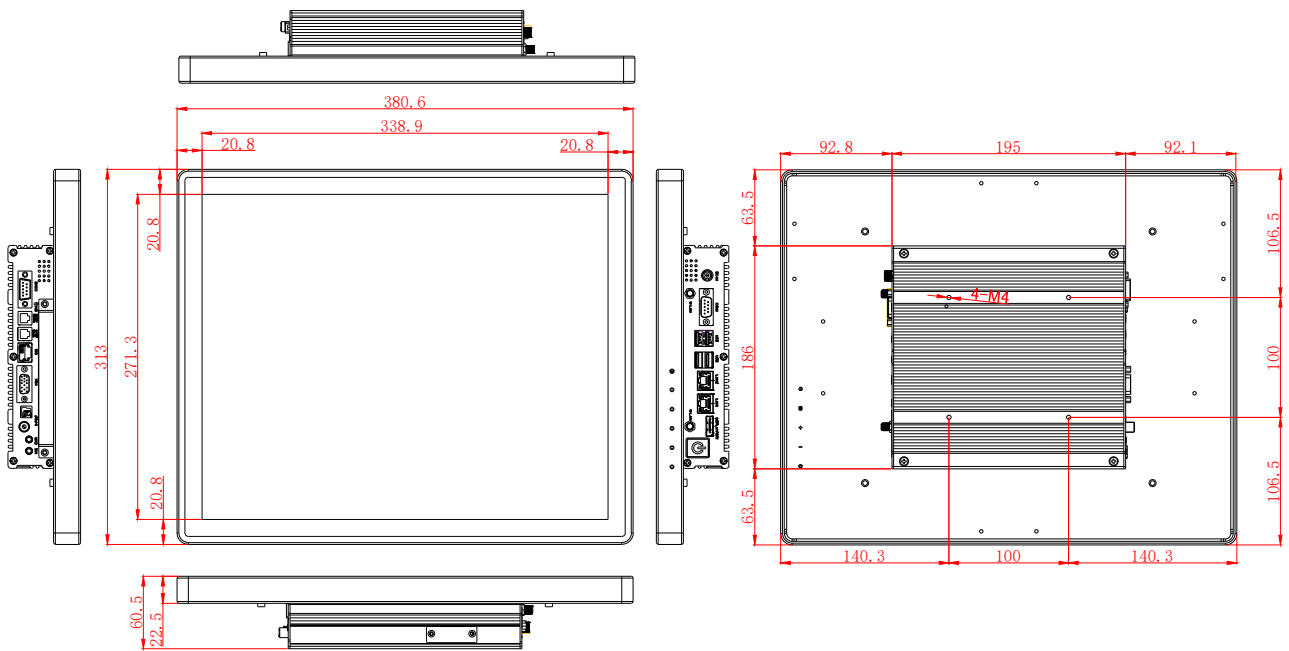
Internal Connectors
1x SO-DIMM Slot, max. 8GB, DDR3L-1333 Single channel memory
1x 12V DC power connector (2-pin); 1x 4-pin SATA power connector
2x S-ATA 3GB/s ports; 1x 5-pin LCD power connector
1x VGA pin header; 1x SIM-card-Header (connected to MiniPCIe); 1x LVDS connector
1x S/PDIF output pin header; 1x 8-bit Digital I/O interface
1x 4-pin (2x2W) audio amplifier connector
1x PS/2 keyboard/mouse connector (6-pin)
2x USB 2.0 header supports additional 4x USB 2.0 ports
3x RS232/RS485 COM connectors, switchable between RS232/RS485 in BIOS
1x Chassis Fan connector

External Connectors
1x Display port; 1x VGA-out (from internal header)
1x USB 3.0; 3x USB 2.0 ports
2x COM port Full-Pin (RS232/485; 5V/12V)
2x 10/100/1000Mbit RJ45 Ports; 2x W-LAN connector; 1x 12V DC-In (screwable)
S/PDIF-Out (1x Cinch, 1x Torx)
MIC-In, EAR-Out; 8x In/Out GPIO as RJ45
1x Button-Line with On/Off + 4 GPIO-buttons on front panel
1x 2.5" module slot, changeable SSD included

Expansion slots
2x Mini Card slots with PCIe and USB interface (2x Full Height/Half height changeable)
1x PCIeX1 Straddle connector

Included in the Delivery
Power Supply (see Power section)
Driver DVD
Short Installation Manual
Standard Stand
W-LAN Antenna

17" Capacitive Touch PC



7" - 22" Capacitive Touch PCs

Product name	17" Capacitive Touch PC
Article code / EAN number	FT17J1900W4G64GCAP / 6920734017553
PC System	
CPU	Intel® Celeron™ QuadCore J1900
Chipset	Intel® E3800
Graphic GPU	Intel® HD Graphics
Audio	Realtek 887 8 -channel high definition audio codec, Audio Amplifier EUA 2012A
Memory	1x 4GB DDR3L SODimm (expandable to 8GB)
Storage	faytech Industrial 64GB SSD
Network	2x Realtek PCIe GB LAN 8111G
Driver Support	Win7/8/10; Linux; 32Bit/64Bit
Pre-installed OS	Linux Ubuntu
LCD Panel	
IP rating	IP65 Front / IP40 Back
Screen diagonal (Inch/cm)	17/43.18
Display active screen size (cm)	33.79×27.04
Aspect ratio	5:4
Physical resolution	1280×1024
External Maximum showable resolution - DP, VGA	1920×1200
Colours displayed	16.7M
Brightness (cd/m ²)	250
Contrast	1000:1
Typical reaction time Tr/ Tf (ms)	3.8/1.2
Visual Angle horizontal/vertical (°)	170/160
Backlight / Backlight Lifetime (hours)	LED / 30,000
Touch Panel	
Touch Technology	Projected Capacitive 10-Point Multitouch
Touch Connector	USB
Touch Life (Contacts)	Unlimited
Surface Hardness	7H
Surface Treatment	Anti-glare (chemical etched)
Operation / Mechanical	
Operating Temperature (°C)	-10 ~ +60
Humidity Range (RH)	10% - 90%
Net weight (kg)	4.05
Gross weight (kg)	5.75 (incl. cartonage)
Housing material	Rubber Front Case, Aluminum IPC Back Case
Housing (cm) L × W × H	38.06 × 31.30 × 6.05
Mounting	VESA 100
Power	
Power Indicator	Green LED
Power Supply	100-240V ACDC active switching; 12V DC-Out
Working Power (V)	12
Power Consumption (W)	17
Stand-By Consumption (W)	<1

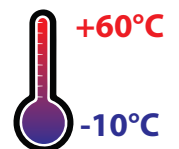
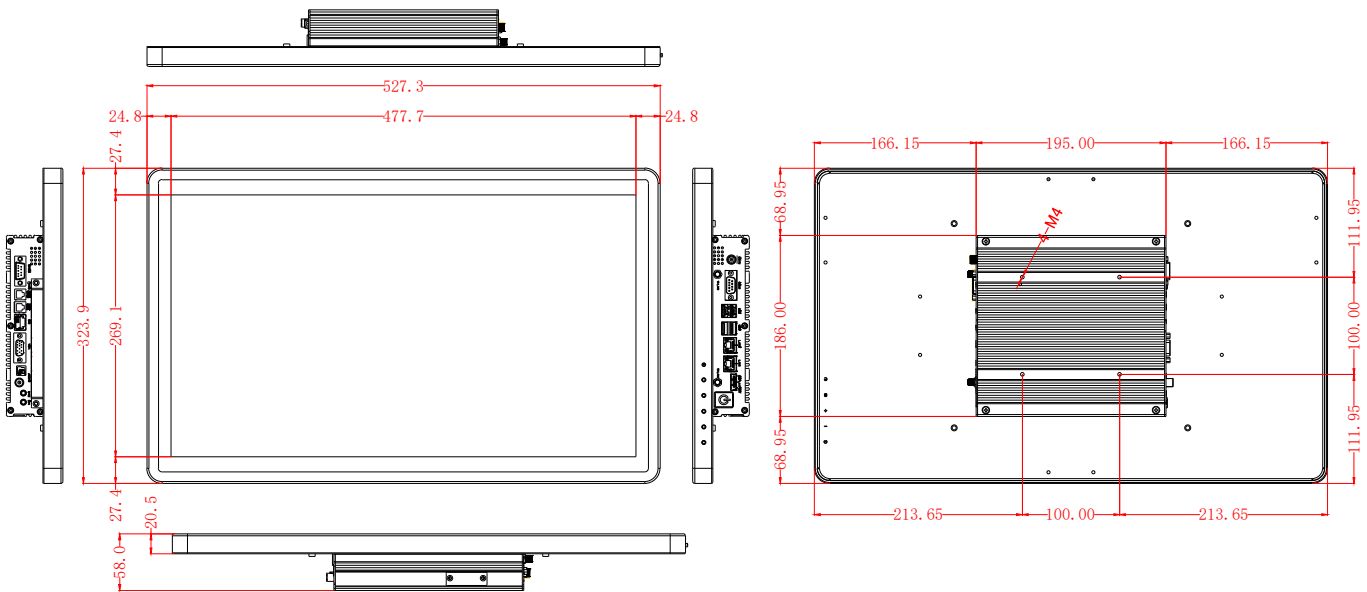
Internal Connectors
1x SO-DIMM Slot, max. 8GB, DDR3L-1333 Single channel memory
1x 12V DC power connector (2-pin); 1x 4-pin SATA power connector
2x S-ATA 3GB/s ports; 1x 5-pin LCD power connector
1x VGA pin header; 1x SIM-card-Header (connected to MiniPCle); 1x LVDS connector
1x S/PDIF output pin header; 1x 8-bit Digital I/O interface
1x 4-pin (2x2W) audio amplifier connector
1x PS/2 keyboard/mouse connector (6-pin)
2x USB 2.0 header supports additional 4x USB 2.0 ports
3x RS232/RS485 COM connectors, switchable between RS232/RS485 in BIOS
1x Chassis Fan connector

External Connectors
1x Display port; 1x VGA-out (from internal header)
1x USB 3.0; 3x USB 2.0 ports
2x COM port Full-Pin (RS232/485; 5V/12V)
2x 10/100/1000Mbit RJ45 Ports; 2x W-LAN connector; 1x 12V DC-In (screwable)
S/PDIF-Out (1x Cinch, 1x Torx)
MIC-In, EAR-Out; 8x In/Out GPIO as RJ45
1x Button-Line with On/Off + 4 GPIO-buttons on front panel
1x 2.5" module slot, changeable SSD included

Expansion slots
2x Mini Card slots with PCIe and USB interface (2x Full Height/Half height changeable)
1x PCIeX1 Straddle connector

Included in the Delivery
Power Supply (see Power section)
Driver DVD
Short Installation Manual
Standard Stand
W-LAN Antenna

21.5" Capacitive Touch PC



7" - 22" Capacitive Touch PCs

Product name	21.5" Capacitive Touch PC
Article code / EAN number	FT215J1900W4G64GCAP / 6920734022540
PC System	
CPU	Intel® Celeron™ QuadCore J1900
Chipset	Intel® E3800
Graphic GPU	Intel® HD Graphics
Audio	Realtek 887 8 -channel high definition audio codec, Audio Amplifier EUA 2012A
Memory	1x 4GB DDR3L SODimm (expandable to 8GB)
Storage	faytech Industrial 64GB SSD
Network	2x Realtek PCIe GB LAN 8111G
Driver Support	Win7/8/10; Linux; 32Bit/64Bit
Pre-installed OS	Linux Ubuntu
LCD Panel	
IP rating	IP65 Front / IP40 Back
Screen diagonal (Inch/cm)	21.5/54.69
Display active screen size (cm)	47.70×26.80
Aspect ratio	16:9
Physical resolution	1920×1080
External Maximum showable resolution - DP, VGA	1920×1200
Colours displayed	16.7M
Brightness (cd/m ²)	250
Contrast	1000:1
Typical reaction time Tr/ Tf (ms)	1.5/3.5
Visual Angle horizontal/vertical (°)	170/160
Backlight / Backlight Lifetime (hours)	LED / 40,000
Touch Panel	
Touch Technology	Projected Capacitive 10-Point Multitouch
Touch Connector	USB
Touch Life (Contacts)	Unlimited
Surface Hardness	7H
Surface Treatment	Anti-glare (chemical etched)
Operation / Mechanical	
Operating Temperature (°C)	-10 ~ +60
Humidity Range (RH)	10% - 90%
Net weight (kg)	6.80
Gross weight (kg)	8.56 (incl. cartonage)
Housing material	Rubber Front Case, Aluminum IPC Back Case
Housing (cm) L × W × H	52.73 × 32.39 × 5.80
Mounting	VESA 100
Power	
Power Indicator	Green LED
Power Supply	100-240V ACDC active switching; 12V DC-Out
Working Power (V)	12
Power Consumption (W)	24
Stand-By Consumption (W)	<1

Internal Connectors
1x SO-DIMM Slot, max. 8GB, DDR3L-1333 Single channel memory
1x 12V DC power connector (2-pin); 1x 4-pin SATA power connector
2x S-ATA 3GB/s ports; 1x 5-pin LCD power connector
1x VGA pin header; 1x SIM-card-Header (connected to MiniPCIe); 1x LVDS connector
1x S/PDIF output pin header; 1x 8-bit Digital I/O interface
1x 4-pin (2x2W) audio amplifier connector
1x PS/2 keyboard/mouse connector (6-pin)
2x USB 2.0 header supports additional 4x USB 2.0 ports
3x RS232/RS485 COM connectors, switchable between RS232/RS485 in BIOS
1x Chassis Fan connector

External Connectors
1x Display port; 1x VGA-out (from internal header)
1x USB 3.0; 3x USB 2.0 ports
2x COM port Full-Pin (RS232/485; 5V/12V)
2x 10/100/1000Mbit RJ45 Ports; 2x W-LAN connector; 1x 12V DC-In (screwable)
S/PDIF-Out (1x Cinch, 1x Torx)
MIC-In, EAR-Out; 8x In/Out GPIO as RJ45
1x Button-Line with On/Off + 4 GPIO-buttons on front panel
1x 2.5" module slot, changeable SSD included

Expansion slots
2x Mini Card slots with PCIe and USB interface (2x Full Height/Half height changeable)
1x PCIeX1 Straddle connector

Included in the Delivery
Power Supply (see Power section)
Driver DVD
Short Installation Manual
Standard Stand
W-LAN Antenna



Embedded Touch PCs

There are currently two versions for the A20 and V40 mainboards: The standard version with W-LAN and the full version with additional Bluetooth 4.0 (2.0 for A20), GPS, POE Plug-in and OTG port. These are faytech's most cost effective yet powerful Dualcore and Quadcore solutions for Linux or Android based platforms.

Powered by Embedded A20 Mainboard of high performance/cost ratio or more powerful Embedded V40 Mainboard, faytech's Embedded Touch PCs are the best solutions to industrial automation, device control and digital signage. A powerful Allwinner® A20 DualCore or V40 QuadCore CPU, Mali400MP2 graphics chipset, various connectors, e.g. USB, serial, network, TTL/UART, Mini-PCIe, HDMI, VGA, GPIO, LVDS and extended DC-In, all that makes the Embedded series perfect choice for reliable solutions.

The Embedded PCs are equipped with 1G DDR3 RAM, 8G flash memory and includes a SATA connector as well as SD card slot for further storage expansion. As for network connection, the device is already integrated with Wifi, over Mini PCIe the device can be upgraded to 3G+GPS using the existing SIM card slot.

The touch features capacitive 10-finger multitouch panels, Anti-glare chemical etched treatment and optionally bonded to the LED backlighting panels, backed by faytech's warranty for pixel accuracy (A + quality).

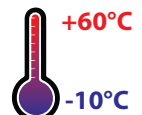
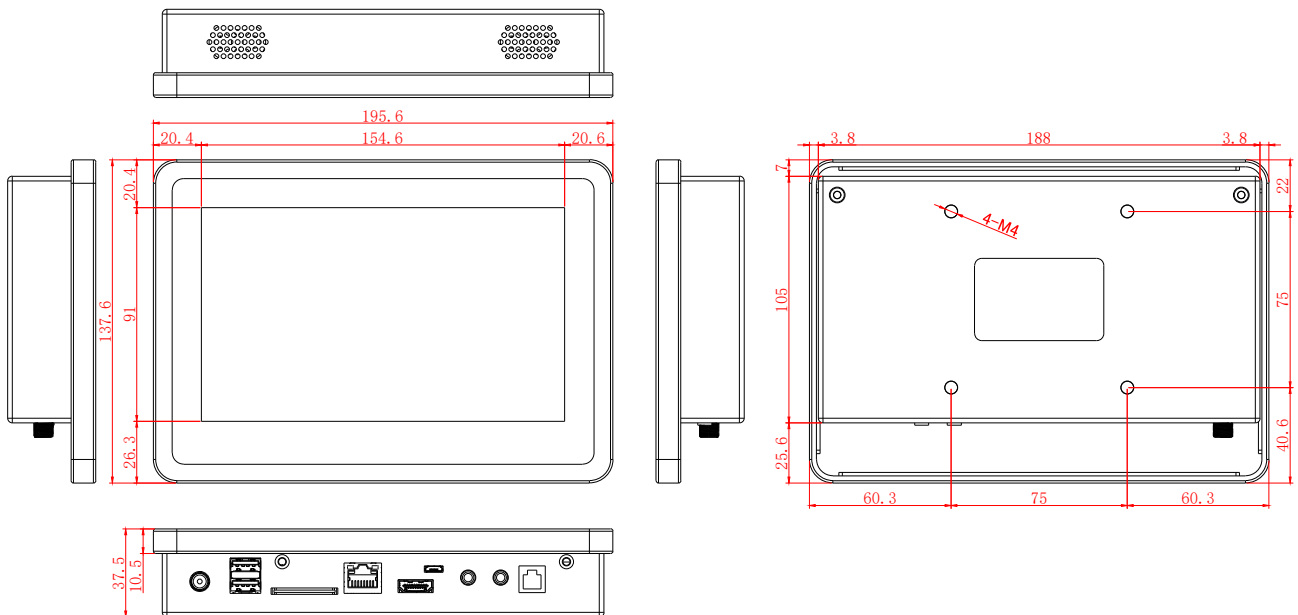
The design of the Embedded Touch PCs follows the application: flat easy to integrate IP65 front and stable rear housing with either VESA 75 or VESA 100 mounting for fixing / integration.

faytech's new Embedded Touch PC Series is our most cost-effective solution for intelligent machine control, and like all faytech's reliable touch devices built for precision and durability.



Detailed picture of faytech's Allwinner® V40 embedded mainboard

7" Embedded Touch PC



Embedded Touch PCs

Product name	7" Embedded Touch PC
Article code / EAN number	FT07V40M400W1G8GCAP / 6920734007905
PC System	
CPU	Allwinner® V40 QuadCore (A20 DualCore optional)
Chipset	Cortex™ A7
Graphic GPU	ARM® Mali400 Mp2 complies with OpenGL ES 2.0/1.1
Audio	Integrated HI-FI 100dB Audio Codec Dual analog mic, 2x6W amplifier
Memory	1x 1GB DDR3
Storage	8GB EMMC Flash
Network	10M/100M/1000M Network; W-LAN
Driver Support	Android 6.0 / 4.4 (A20: Android 4.4 / Linux Linaro)
Pre-installed OS	Android 6.0 / 4.4 (A20: Android 4.4)
LCD Panel	
IP rating	IP65 Front / IP40 Back
Screen diagonal (Inch/cm)	7/17.78
Display active screen size (cm)	15.36x9.00
Aspect ratio	16:9
Physical resolution	1024x600
External Maximum showable resolution - HDMI	1920x1080
Colours displayed	262K
Brightness (cd/m ²)	500
Contrast	700:1
Typical reaction time Tr/ Tf (ms)	10/15
Visual Angle horizontal/vertical (°)	150/145
Backlight / Backlight Lifetime (hours)	LED / 20,000
Touch Panel	
Touch Technology	Projected Capacitive 10-Point Multitouch
Touch Connector	USB
Touch Life (Contacts)	Unlimited
Surface Hardness	7H
Operation / Mechanical	
Operating Temperature (°C)	-10 ~ +60
Humidity Range (RH)	10% - 90%
Net weight (kg)	1.00
Gross weight (kg)	2.00 (incl. cartonage)
Housing material	Rubber front case, Plastic back case
Housing (cm) L × W × H	19.56 × 13.76 × 3.75
Mounting	VESA 75

Internal Connectors
1x SD-card
1x SIM-card
2x Serial
4x TTL UART
2x USB 2.0
18/24Bit LVDS
6x GPIO (A20: 20x GPIO)
1x Line-In
1x Line-Out
1x Amplifier for 2x 6W loudspeaker
1x SATA-Port
1x RTC

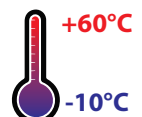
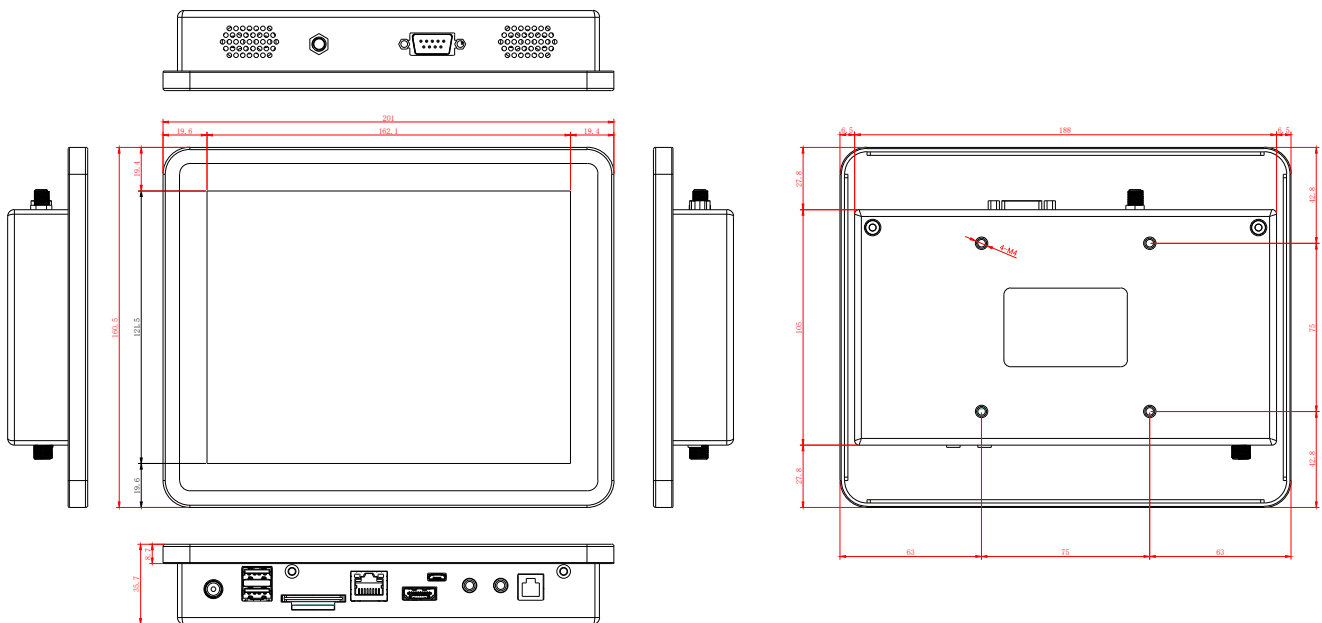
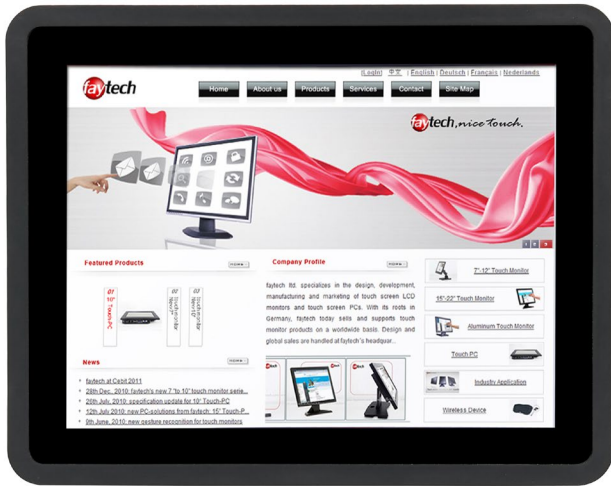
External Connectors
8-18V DC-In (screwable)
2x USB 2.0
1x USB OTG
1x Serial
1x 10/100/1000Mbit RJ45 Ports with connector for POE
1x Audio-In
1x Audio-Out
1x W-LAN connector
1x HDMI
1x GPIO
1x SD-card slot
1x SIM-card slot

Power	
Power Indicator	Green LED
Power Supply	100-240V ACDC active switching; 12V DC-Out
Working Power (V)	8-18
Power Consumption (W)	8
Stand-By Consumption (W)	<1

Included in the Delivery
Power Supply (see Power section)
W-LAN Antenna
Short Installation Manual

Expansion slots
1x MiniPCle

8" Embedded Touch PC



Embedded Touch PCs

Product name	8" Embedded Touch PC
Article code / EAN number	FT08V40M400W1G8GCAP / 6920734008827
PC System	
CPU	Allwinner® V40 QuadCore (A20 DualCore optional)
Chipset	Cortex™ A7
Graphic GPU	ARM® Mali400 Mp2 complies with OpenGL ES 2.0/1.1
Audio	Integrated HI-FI 100dB Audio Codec Dual analog mic, 2x6W amplifier
Memory	1x 1GB DDR3
Storage	8GB EMMC Flash
Network	10M/100M/1000M Network; W-LAN
Driver Support	Android 6.0 / 4.4 (A20: Android 4.4)
Pre-installed OS	Android 6.0 / 4.4 (A20: Android 4.4)
LCD Panel	
IP rating	IP65 Front / IP40 Back
Screen diagonal (Inch/cm)	8/20.32
Display active screen size (cm)	16.20×12.20
Aspect ratio	4:3
Physical resolution	1024×768
External Maximum showable resolution - HDMI	1920×1080
Colours displayed	16.7M
Brightness (cd/m²)	250
Contrast	700:1
Typical reaction time Tr/ Tf (ms)	6/14
Visual Angle horizontal/vertical (°)	150/150
Backlight / Backlight Lifetime (hours)	LED / 20,000
Touch Panel	
Touch Technology	Projected Capacitive 10-Point Multitouch
Touch Connector	USB
Touch Life (Contacts)	Unlimited
Surface Hardness	7H
Operation / Mechanical	
Operating Temperature (°C)	-10 ~ +60
Humidity Range (RH)	10% - 90%
Net weight (kg)	1.40
Gross weight (kg)	2.40 (incl. cartonage)
Housing material	Rubber front case, Plastic back case
Housing (cm) L × W × H	20.10 × 16.05 × 3.57
Mounting	VESA 75

Internal Connectors
1x SD-card
1x SIM-card
2x Serial
4x TTL UART
2x USB 2.0
18/24Bit LVDS
6x GPIO (A20: 20x GPIO)
1x Line-In
1x Line-Out
1x Amplifier for 2x 6W loudspeaker
1x SATA-Port
1x RTC

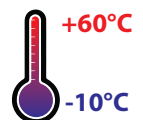
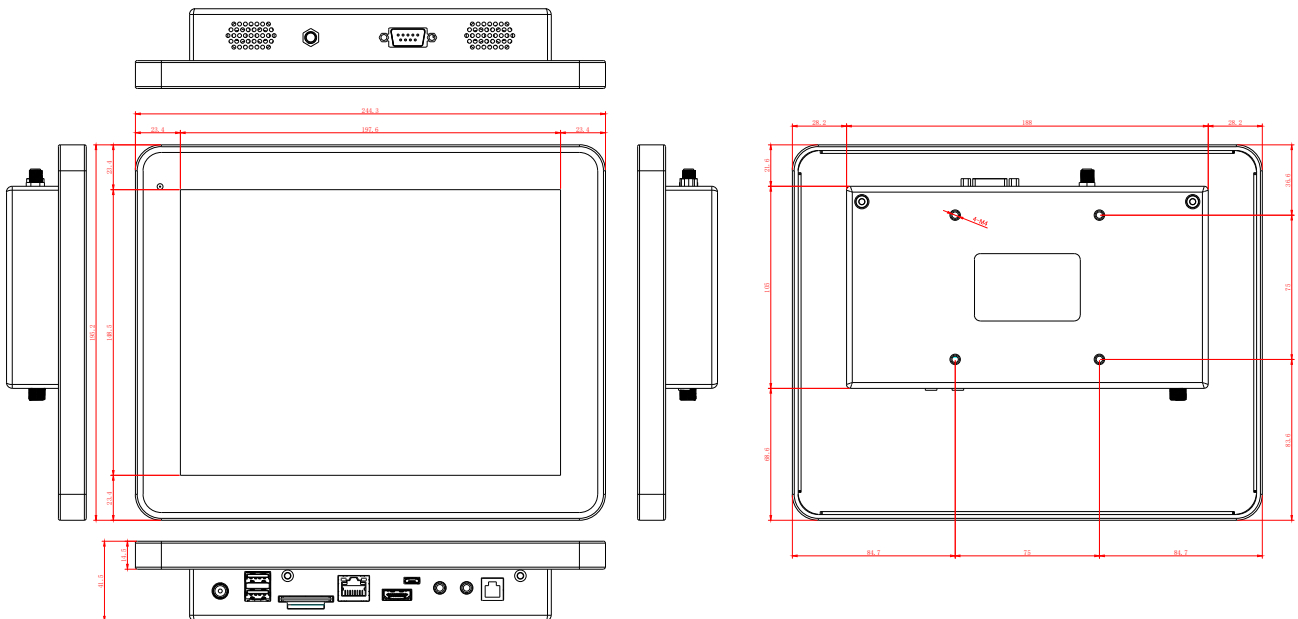
External Connectors
8-18V DC-In (screwable)
2x USB 2.0
1x USB OTG
1x Serial
1x 10/100/1000Mbit RJ45 Ports with connector for POE
1x Audio-In
1x Audio-Out
1x W-LAN connector
1x HDMI
1x GPIO
1x SD-card slot
1x SIM-card slot

Power	
Power Indicator	Green LED
Power Supply	100-240V ACDC active switching; 12V DC-Out
Working Power (V)	8-18
Power Consumption (W)	7
Stand-By Consumption (W)	<1

Included in the Delivery
Power Supply (see Power section)
W-LAN Antenna
Short Installation Manual

Expansion slots
1x MiniPCle

10" Embedded Touch PC



Embedded Touch PCs

Product name	10" Embedded Touch PC
Article code / EAN number	FT10V40M400W1G8GCAP / 6920734010813
PC System	
CPU	Allwinner® V40 QuadCore (A20 DualCore optional)
Chipset	Cortex™ A7
Graphic GPU	ARM® Mali400 Mp2 complies with OpenGL ES 2.0/1.1
Audio	Integrated HI-FI 100dB Audio Codec Dual analog mic, 2x6W amplifier
Memory	1x 1GB DDR3
Storage	8GB EMMC Flash
Network	10M/100M/1000M Network; W-LAN
Driver Support	Android 6.0 / 4.4 (A20: Android 4.2.2)
Pre-installed OS	Android 6.0 / 4.4 (A20: Android 4.2.2)
LCD Panel	
IP rating	IP65 Front / IP40 Back
Screen diagonal (Inch/cm)	9.7/24.64
Display active screen size (cm)	19.70x14.70
Aspect ratio	4:3
Physical resolution	1024x768
External Maximum showable resolution - HDMI	1920x1080
Colours displayed	16.7M
Brightness (cd/m²)	350
Contrast	800:1
Typical reaction time Tr/ Tf (ms)	10/15
Visual Angle horizontal/vertical (°)	170/170
Backlight / Backlight Lifetime (hours)	LED / 20,000
Touch Panel	
Touch Technology	Projected Capacitive 10-Point Multitouch
Touch Connector	USB
Touch Life (Contacts)	Unlimited
Surface Hardness	7H
Surface Treatment	Anti-glare (chemical etched)
Operation / Mechanical	
Operating Temperature (°C)	-10 ~ +60
Humidity Range (RH)	10% - 90%
Net weight (kg)	2.00
Gross weight (kg)	2.80 (incl. cartonage)
Housing material	Rubber front case, Plastic back case
Housing (cm) L × W × H	24.43 × 19.52 × 4.15
Mounting	VESA 75

Internal Connectors
1x SD-card
1x SIM-card
2x Serial
4x TTL UART
2x USB 2.0
18/24Bit LVDS
6x GPIO (A20: 20x GPIO)
1x Line-In
1x Line-Out
1x Amplifier for 2x 6W loudspeaker
1x SATA-Port
1x RTC

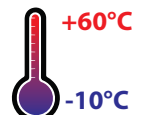
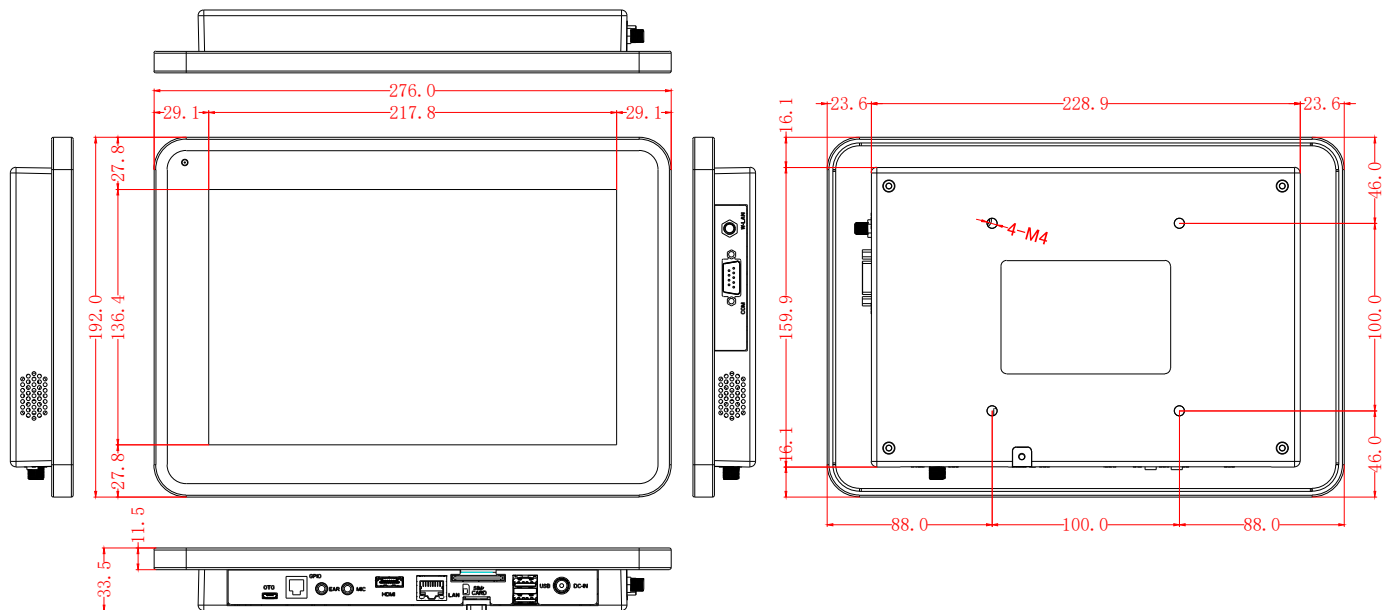
External Connectors
8-18V DC-In (screwable)
2x USB 2.0
1x USB OTG
1x Serial
1x 10/100/1000Mbit RJ45 Ports with connector for POE
1x Audio-In
1x Audio-Out
1x W-LAN connector
1x HDMI
1x GPIO
1x SD-card slot
1x SIM-card slot

Power	
Power Indicator	Green LED
Power Supply	100-240V ACDC active switching; 12V DC-Out
Working Power (V)	8-18
Power Consumption (W)	9
Stand-By Consumption (W)	<1

Included in the Delivery
Power Supply (see Power section)
W-LAN Antenna
Short Installation Manual
Standard Stand

Expansion slots
1x MiniPCle

10.1" Embedded Touch PC



Embedded Touch PCs

Product name	10.1" Embedded Touch PC
Article code / EAN number	FT101V40M400W1G8GCAP / 69207340010820
PC System	
CPU	Allwinner® V40 QuadCore (A20 DualCore optional)
Chipset	Cortex™ A7
Graphic GPU	ARM® Mali400 Mp2 complies with OpenGL ES 2.0/1.1
Audio	Integrated HI-FI 100dB Audio Codec Dual analog mic, 2x6W amplifier
Memory	1x 1GB DDR3
Storage	8GB EMMC Flash
Network	10M/100M/1000M Network; W-LAN
Driver Support	Android 6.0 / 4.4 (A20: Android 4.4 / Linux Linaro)
Pre-installed OS	Android 6.0 / 4.4 (A20: Android 4.4)
LCD Panel	
IP rating	IP65 Front / IP40 Back
Screen diagonal (Inch/cm)	10.1/25.65
Display active screen size (cm)	21.70×13.60
Aspect ratio	16:10
Physical resolution	1280×800
External Maximum showable resolution - HDMI	1920×1080
Colours displayed	16.7M
Brightness (cd/m ²)	350
Contrast	700:1
Typical reaction time Tr/ Tf (ms)	10/15
Visual Angle horizontal/vertical (°)	170/170
Backlight / Backlight Lifetime (hours)	LED / 20,000
Touch Panel	
Touch Technology	Projected Capacitive 10-Point Multitouch
Touch Connector	USB
Touch Life (Contacts)	Unlimited
Surface Hardness	7H
Surface Treatment	Anti-glare (chemical etched)
Operation / Mechanical	
Operating Temperature (°C)	-10 ~ +60
Humidity Range (RH)	10% - 90%
Net weight (kg)	2.00
Gross weight (kg)	2.90 (incl. cartonage)
Housing material	Rubber front case, Plastic back case
Housing (cm) L × W × H	27.60 × 19.20 × 3.35
Mounting	VESA 100

Internal Connectors
1x SD-card
1x SIM-card
2x Serial
4x TTL UART
2x USB 2.0
18/24Bit LVDS
6x GPIO (A20: 20x GPIO)
1x Line-In
1x Line-Out
1x Amplifier for 2x 6W loudspeaker
1x SATA-Port
1x RTC

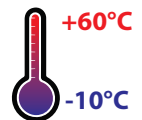
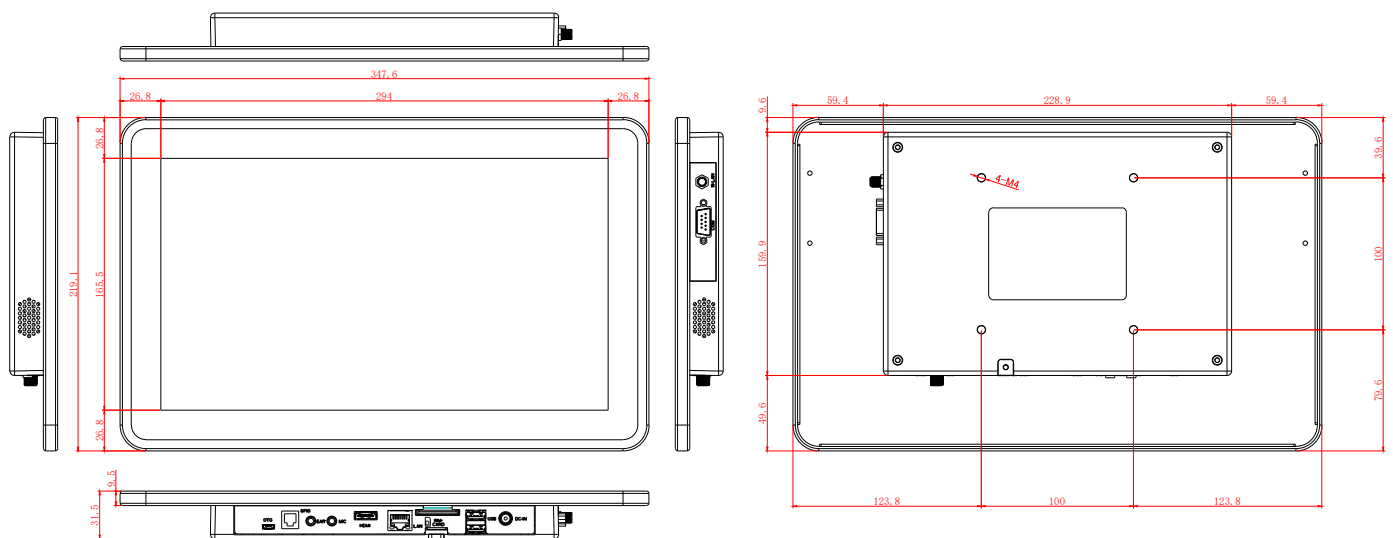
External Connectors
8-18V DC-In (screwable)
2x USB 2.0
1x USB OTG
1x Serial
1x 10/100/1000Mbit RJ45 Ports with connector for POE
1x Audio-In
1x Audio-Out
1x W-LAN connector
1x HDMI
1x GPIO
1x SD-card slot
1x SIM-card slot

Power	
Power Indicator	Green LED
Power Supply	100-240V ACDC active switching; 12V DC-Out
Working Power (V)	8-18
Power Consumption (W)	11
Stand-By Consumption (W)	<1

Included in the Delivery
Power Supply (see Power section)
W-LAN Antenna
Short Installation Manual
Standard Stand

Expansion slots
1x MiniPCle

13.3" Embedded Touch PC



Embedded Touch PCs

Product name	13.3" Embedded Touch PC
Article code / EAN number	FT133V40M400W1G8GCAP / 6920734013814
PC System	
CPU	Allwinner® V40 QuadCore (A20 DualCore optional)
Chipset	Cortex™ A7
Graphic GPU	ARM® Mali400 Mp2 complies with OpenGL ES 2.0/1.1
Audio	Integrated HI-FI 100dB Audio Codec Dual analog mic, 2x6W amplifier
Memory	1x 1GB DDR3
Storage	8GB EMMC Flash
Network	10M/100M/1000M Network; W-LAN
Driver Support	Android 6.0 / 4.4 (A20: Android 4.4 / Linux Linaro)
Pre-installed OS	Android 6.0 / 4.4 (A20: Android 4.4)
LCD Panel	
IP rating	IP65 Front / IP40 Back
Screen diagonal (Inch/cm)	13.3/33.78
Display active screen size (cm)	29.37×16.52
Aspect ratio	16:9
Physical resolution	1920×1080
External Maximum showable resolution - HDMI	1920×1080
Colours displayed	16.7M
Brightness (cd/m ²)	350
Contrast	700:1
Typical reaction time Tr/ Tf (ms)	14/11
Visual Angle horizontal/vertical (°)	178/178
Backlight / Backlight Lifetime (hours)	LED / min. 15,000
Touch Panel	
Touch Technology	Projected Capacitive 10-Point Multitouch
Touch Connector	USB
Touch Life (Contacts)	Unlimited
Surface Hardness	7H
Surface Treatment	Anti-glare (chemical etched)
Operation / Mechanical	
Operating Temperature (°C)	-10 ~ +60
Humidity Range (RH)	10% - 90%
Net weight (kg)	2.80
Gross weight (kg)	3.80 (incl. cartonage)
Housing material	Rubber front case, Plastic back case
Housing (cm) L × W × H	34.76 × 21.91 × 3.15
Mounting	VESA 100

Internal Connectors
1x SD-card
1x SIM-card
2x Serial
4x TTL UART
2x USB 2.0
18/24Bit LVDS
6x GPIO (A20: 20x GPIO)
1x Line-In
1x Line-Out
1x Amplifier for 2x 6W loudspeaker
1x SATA-Port
1x RTC

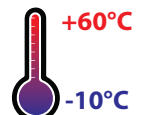
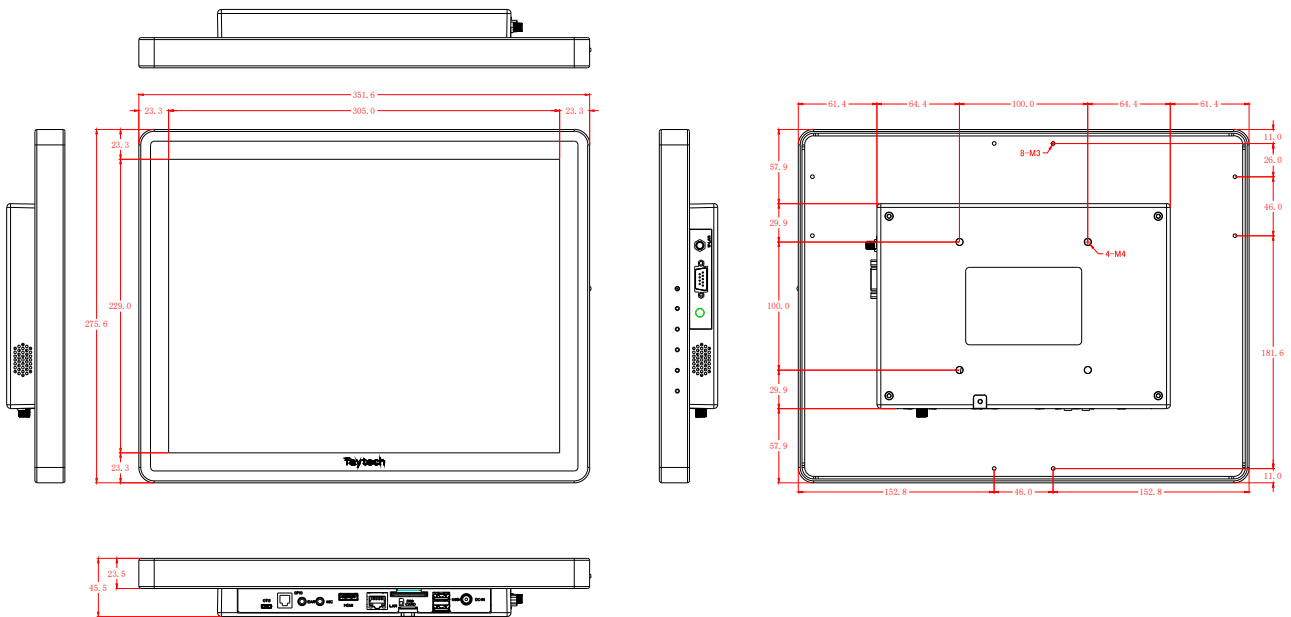
External Connectors
8-18V DC-In (screwable)
2x USB 2.0
1x USB OTG
1x Serial
1x 10/100/1000Mbit RJ45 Ports with connector for POE
1x Audio-In
1x Audio-Out
1x W-LAN connector
1x HDMI
1x GPIO
1x SD-card slot
1x SIM-card slot

Power	
Power Indicator	Green LED
Power Supply	100-240V ACDC active switching; 12V DC-Out
Working Power (V)	8-18
Power Consumption (W)	13
Stand-By Consumption (W)	<1

Included in the Delivery
Power Supply (see Power section)
W-LAN Antenna
Short Installation Manual
Standard Stand

Expansion slots
1x MiniPCle

15" Embedded Touch PC



Embedded Touch PCs

Product name	15" Embedded Touch PC
Article code / EAN number	FT15V40M400W1G8GCAP / 6920734015801
PC System	
CPU	Allwinner® V40 QuadCore (A20 DualCore optional)
Chipset	Cortex™ A7
Graphic GPU	ARM® Mali400 Mp2 complies with OpenGL ES 2.0/1.1
Audio	Integrated HI-FI 100dB Audio Codec Dual analog mic, 2x6W amplifier
Memory	1x 1GB DDR3
Storage	8GB EMMC Flash
Network	10M/100M/1000M Network; W-LAN
Driver Support	Android 6.0 / 4.4 (A20: Android 4.4)
Pre-installed OS	Android 6.0 / 4.4 (A20: Android 4.4)
LCD Panel	
IP rating	IP65 Front / IP40 Back
Screen diagonal (Inch/cm)	15/38.10
Display active screen size (cm)	30.40×22.80
Aspect ratio	4:3
Physical resolution	1024×768
External Maximum showable resolution - HDMI	1920×1080
Colours displayed	16.7M
Brightness (cd/m ²)	300
Contrast	700:1
Typical reaction time Tr/ Tf (ms)	8/12
Visual Angle horizontal/vertical (°)	160/160
Backlight / Backlight Lifetime (hours)	LED / 30,000
Touch Panel	
Touch Technology	Projected Capacitive 10-Point Multitouch
Touch Connector	USB
Touch Life (Contacts)	Unlimited
Surface Hardness	7H
Surface Treatment	Anti-glare (chemical etched)
Operation / Mechanical	
Operating Temperature (°C)	-10 ~ +60
Humidity Range (RH)	10% - 90%
Net weight (kg)	4.10
Gross weight (kg)	5.10 (incl. cartonage)
Housing material	Rubber front case, Plastic back case
Housing (cm) L × W × H	35.16 × 27.56 × 4.55
Mounting	VESA 100

Internal Connectors
1x SD-card
1x SIM-card
2x Serial
4x TTL UART
2x USB 2.0
18/24Bit LVDS
6x GPIO (A20: 20x GPIO)
1x Line-In
1x Line-Out
1x Amplifier for 2x 6W loudspeaker
1x SATA-Port
1x RTC

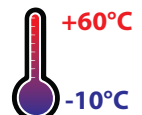
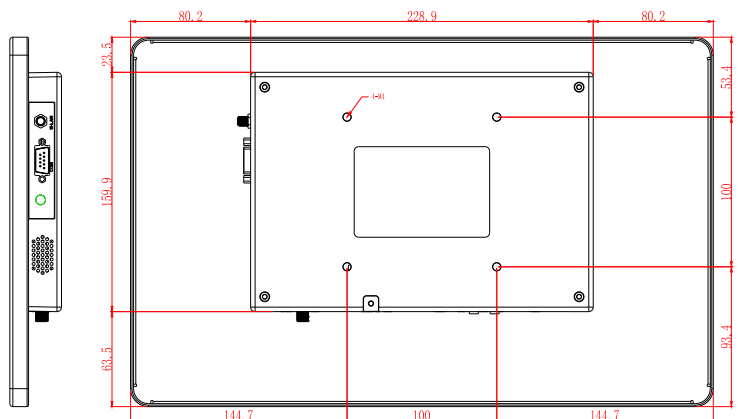
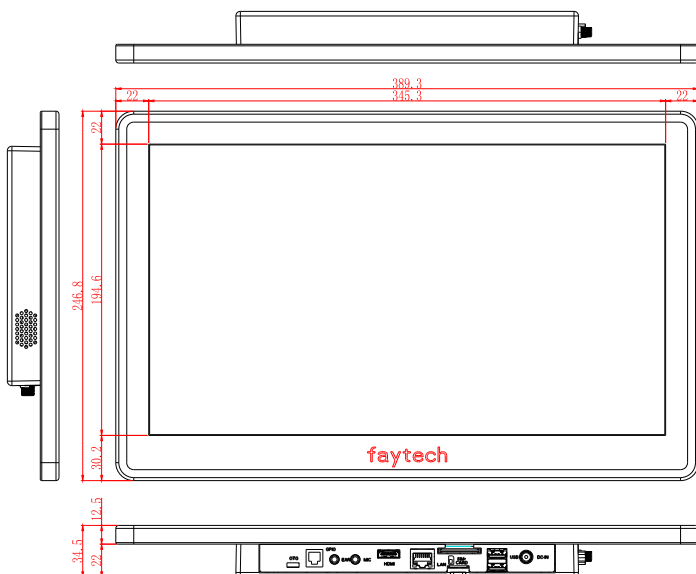
External Connectors
8-18V DC-In (screwable)
2x USB 2.0
1x USB OTG
1x Serial
1x 10/100/1000Mbit RJ45 Ports with connector for POE
1x Audio-In
1x Audio-Out
1x W-LAN connector
1x HDMI
1x GPIO
1x SD-card slot
1x SIM-card slot

Power	
Power Indicator	Green LED
Power Supply	100-240V ACDC active switching; 12V DC-Out
Working Power (V)	8-18
Power Consumption (W)	16
Stand-By Consumption (W)	<1

Included in the Delivery
Power Supply (see Power section)
W-LAN Antenna
Short Installation Manual
Standard Stand

Expansion slots
1x MiniPCle

15.6" Embedded Touch PC



Embedded Touch PCs

Product name	15.6" Embedded Touch PC
Article code / EAN number	FT156V40M400W1G8GCAP / 6920734016808
PC System	
CPU	Allwinner® V40 QuadCore
Chipset	Cortex A7
Graphic GPU	ARM® Mali400 Mp2 complies with OpenGL ES 2.0/1.1
Audio	Integrated HI-FI 100dB Audio Codec Dual analog mic, 2x6W amplifier
Memory	1x 1GB DDR3
Storage	8GB EMMC Flash
Network	10M/100M/1000M Network; W-LAN
Driver Support	Android 6.0 / 4.4
Pre-installed OS	Android 6.0 / 4.4
LCD Panel	
IP rating	IP65 Front / IP40 Back
Screen diagonal (Inch/cm)	15.6/39.6
Display active screen size (cm)	34.42x19.36
Aspect ratio	16:9
Physical resolution	1920x1080
External Maximum showable resolution - HDMI	1920x1080
Colours displayed	262K
Brightness (cd/m ²)	250
Contrast	800:1
Typical reaction time Tr/ Tf (ms)	15/15
Visual Angle horizontal/vertical (°)	170/170
Backlight / Backlight Lifetime (hours)	LED / min. 15,000
Touch Panel	
Touch Technology	Projected Capacitive 10-Point Multitouch
Touch Connector	USB
Touch Life (Contacts)	Unlimited
Surface Hardness	7H
Surface Treatment	Anti-glare (chemical etched)
Operation / Mechanical	
Operating Temperature (°C)	-10 ~ +60
Humidity Range (RH)	10% - 90%
Net weight (kg)	3.40
Gross weight (kg)	5.30 (incl. cartonage)
Housing material	Rubber front case, Plastic back case
Housing (cm) L × W × H	38.93 × 24.68 × 3.45
Mounting	VESA 100

Internal Connectors
1x SD-card
1x SIM-card
2x Serial
4x TTL UART
2x USB 2.0
18/24Bit LVDS
6x GPIO
1x Line-In
1x Line-Out
1x Amplifier for 2x 6W loudspeaker
1x SATA-Port
1x RTC

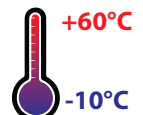
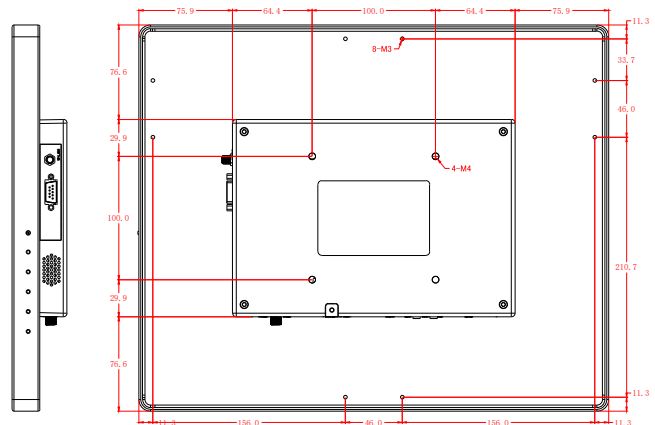
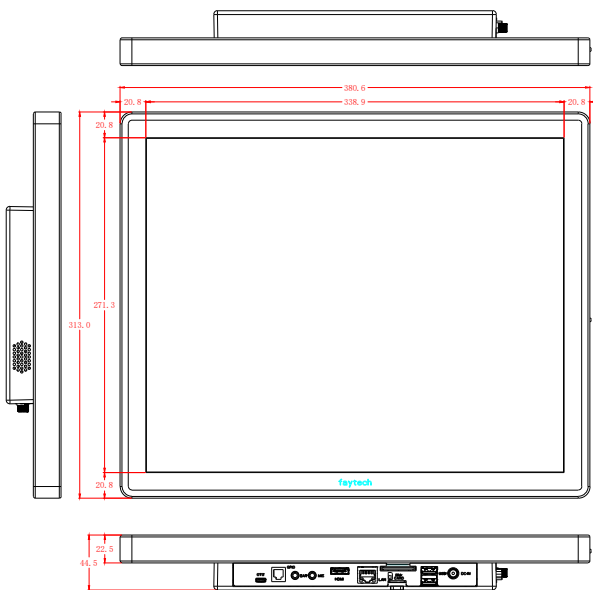
External Connectors
8-18V DC-In (screwable)
2x USB 2.0
1x USB OTG
1x Serial
1x 10/100/1000Mbit RJ45 Ports with connector for POE
1x Audio-In
1x Audio-Out
1x W-LAN connector
1x HDMI
1x GPIO
1x SD-card slot
1x SIM-card slot

Power	
Power Indicator	Green LED
Power Supply	100-240V ACDC active switching; 12V DC-Out
Working Power (V)	8-18
Power Consumption (W)	13
Stand-By Consumption (W)	<1

Included in the Delivery
Power Supply (see Power section)
W-LAN Antenna
Short Installation Manual
Standard Stand

Expansion slots
1x MiniPCle

17" Embedded Touch PC



Embedded Touch PCs

Product name	17" Embedded Touch PC
Article code / EAN number	FT17V40M400W1G8GCAP / 6920734017805
PC System	
CPU	Allwinner® V40 QuadCore (A20 DualCore optional)
Chipset	Cortex™ A7
Graphic GPU	ARM® Mali400 Mp2 complies with OpenGL ES 2.0/1.1
Audio	Integrated HI-FI 100dB Audio Codec Dual analog mic, 2x6W amplifier
Memory	1x 1GB DDR3
Storage	8GB EMMC Flash
Network	10M/100M/1000M Network; W-LAN
Driver Support	Android 6.0 / 4.4 (A20: Android 4.4)
Pre-installed OS	Android 6.0 / 4.4 (A20: Android 4.4)
LCD Panel	
IP rating	IP65 Front / IP40 Back
Screen diagonal (Inch/cm)	17/43.18
Display active screen size (cm)	33.79×27.04
Aspect ratio	5:4
Physical resolution	1280×1024
External Maximum showable resolution - HDMI	1920×1080
Colours displayed	16.7M
Brightness (cd/m ²)	250
Contrast	1000:1
Typical reaction time Tr/ Tf (ms)	3.8/1.2
Visual Angle horizontal/vertical (°)	170/160
Backlight / Backlight Lifetime (hours)	LED / 30,000
Touch Panel	
Touch Technology	Projected Capacitive 10-Point Multitouch
Touch Connector	USB
Touch Life (Contacts)	Unlimited
Surface Hardness	7H
Surface Treatment	Anti-glare (chemical etched)
Operation / Mechanical	
Operating Temperature (°C)	-10 ~ +60
Humidity Range (RH)	10% - 90%
Net weight (kg)	5.10
Gross weight (kg)	6.10 (incl. cartonage)
Housing material	Rubber front case, Plastic back case
Housing (cm) L × W × H	38.06 × 31.30 × 4.45
Mounting	VESA 100

Internal Connectors
1x SD-card
1x SIM-card
2x Serial
4x TTL UART
2x USB 2.0
18/24Bit LVDS
6x GPIO (A20: 20x GPIO)
1x Line-In
1x Line-Out
1x Amplifier for 2x 6W loudspeaker
1x SATA-Port
1x RTC

External Connectors
8-18V DC-In (screwable)
2x USB 2.0
1x USB OTG
1x Serial
1x 10/100/1000Mbit RJ45 Ports with connector for POE
1x Audio-In
1x Audio-Out
1x W-LAN connector
1x HDMI
1x GPIO
1x SD-card slot
1x SIM-card slot

Power	
Power Indicator	Green LED
Power Supply	100-240V ACDC active switching; 12V DC-Out
Working Power (V)	8-18
Power Consumption (W)	16
Stand-By Consumption (W)	<1

Included in the Delivery
Power Supply (see Power section)
W-LAN Antenna
Short Installation Manual
Standard Stand

Expansion slots
1x MiniPCle

Embedded Touch PCs

Product name	21.5" Embedded Touch PC
Article code / EAN number	FT215V40M400W1G8GCAP / 6920734022816
PC System	
CPU	Allwinner® V40 QuadCore (A20 DualCore optional)
Chipset	Cortex™ A7
Graphic GPU	ARM® Mali400 Mp2 complies with OpenGL ES 2.0/1.1
Audio	Integrated HI-FI 100dB Audio Codec Dual analog mic, 2x6W amplifier
Memory	1x 1GB DDR3
Storage	8GB EMMC Flash
Network	10M/100M/1000M Network; W-LAN
Driver Support	Android 6.0 / 4.4 (A20: Android 4.4 / Linux Linaro)
Pre-installed OS	Android 6.0 / 4.4 (A20: Android 4.4)
LCD Panel	
IP rating	IP65 Front / IP40 Back
Screen diagonal (Inch/cm)	21.5/54.69
Display active screen size (cm)	47.70×26.80
Aspect ratio	16:9
Physical resolution	1920×1080
External Maximum showable resolution - HDMI	1920×1080
Colours displayed	16.7M
Brightness (cd/m ²)	250
Contrast	1000:1
Typical reaction time Tr/ Tf (ms)	1.5/3.5
Visual Angle horizontal/vertical (°)	170/160
Backlight / Backlight Lifetime (hours)	LED / 40,000
Touch Panel	
Touch Technology	Projected Capacitive 10-Point Multitouch
Touch Connector	USB
Touch Life (Contacts)	Unlimited
Surface Hardness	7H
Surface Treatment	Anti-glare (chemical etched)
Operation / Mechanical	
Operating Temperature (°C)	-10 ~ +60
Humidity Range (RH)	10% - 90%
Net weight (kg)	6.80
Gross weight (kg)	8.60 (incl. cartonage)
Housing material	Rubber front case, Plastic back case
Housing (cm) L × W × H	52.73 × 32.39 × 4.20
Mounting	VESA 100

Internal Connectors
1x SD-card
1x SIM-card
2x Serial
4x TTL UART
2x USB 2.0
18/24Bit LVDS
6x GPIO (A20: 20x GPIO)
1x Line-In
1x Line-Out
1x Amplifier for 2x 6W loudspeaker
1x SATA-Port
1x RTC

External Connectors
8-18V DC-In (screwable)
2x USB 2.0
1x USB OTG
1x Serial
1x 10/100/1000Mbit RJ45 Ports with connector for POE
1x Audio-In
1x Audio-Out
1x W-LAN connector
1x HDMI
1x GPIO
1x SD-card slot
1x SIM-card slot

Power	
Power Indicator	Green LED
Power Supply	100-240V ACDC active switching; 12V DC-Out
Working Power (V)	8-18
Power Consumption (W)	23
Stand-By Consumption (W)	<1

Included in the Delivery
Power Supply (see Power section)
W-LAN Antenna
Short Installation Manual
Standard Stand

Expansion slots
1x MiniPCle



IP65 High Brightness Touch PCs

Due to its characteristics, such as vandalism-resistance and high visibility in direct sunlight, faytech's IP65 High Brightness Touch PCs are designed for applications in demanding environments, especially outdoor or environments with excessive humidity or dust.

High brightness LEDs with extremely long working time, coupled with special films and enhanced polarizers guarantee perfect display even in direct sunlight.

The individually equipped, water-and-dust-resistant, stable connectors ensure that the connectivity can withstand all harsh weather conditions.

The series are equipped with our renowned fay-002 or fay-003 mainboard, reliable RAM, SSD and WLAN modules. A pre-installed Linux Ubuntu OS makes the fanless and rugged device work out of the box.

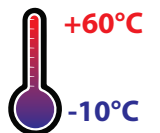
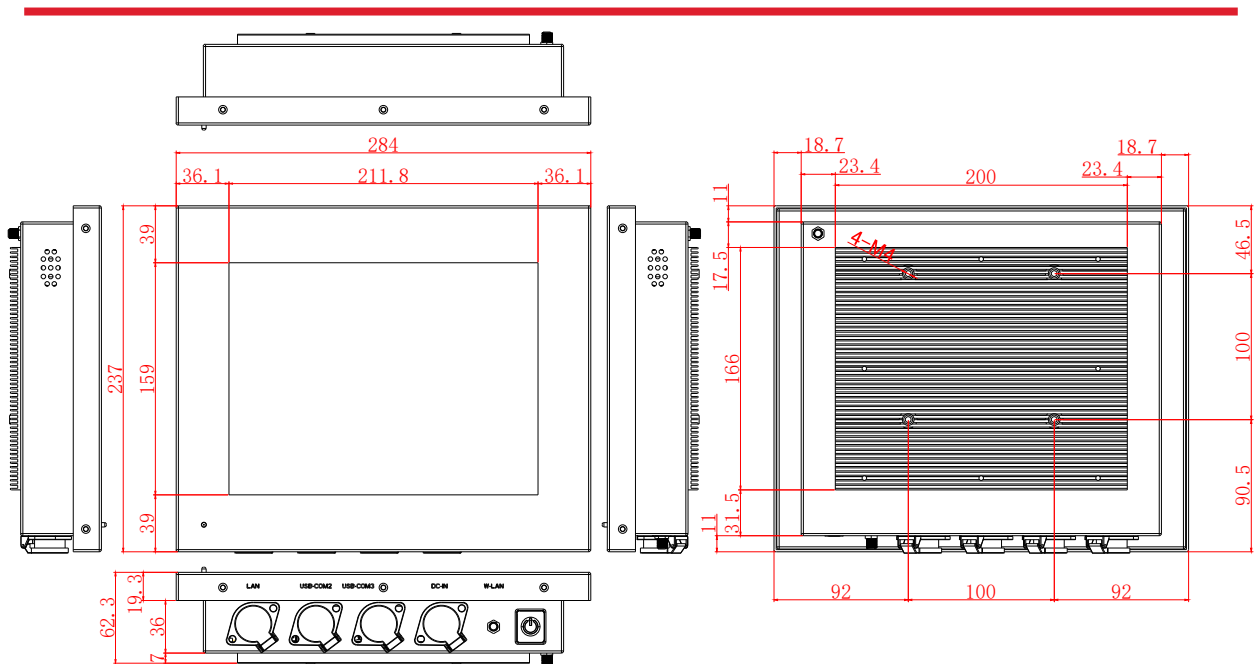
The high-strength safety glass protects the models from vandalism, neither a knife nor a screwdriver would leave a scratch on the surface.

IP65 HB Touch PCs are always your best choice in the most demanding environments.



10.4" IP65 High Brightness Touch PC installed outdoor at a ferry terminal

10.4" IP65 High Brightness Touch PC



IP65 High Brightness Touch PCs

Product name	10.4" IP65 High Brightness Touch PC
Article code / EAN number	FT104N2807W2G64GIP65HB / 6920734010622
PC System	
CPU	Intel® Celeron™ DualCore N2807
Chipset	Intel® E3800
Graphic GPU	Intel® HD Graphics
Audio	Realtek 887 8 -channel high definition audio codec, Audio Amplifier EUA 2012A
Memory	1x 2GB DDR3L SODimm
Storage	faytech Industrial 64GB SSD
Network	2x Realtek PCIe GB LAN 8111G
Driver Support	Win7/8/10; Linux; 32Bit/64Bit
Pre-installed OS	Linux Ubuntu
LCD Panel	
IP rating	IP65
Screen diagonal (Inch/cm)	10.4/26.42
Display active screen size (cm)	21.12×15.84
Aspect ratio	4:3
Physical resolution	1024×768
Maximum showable resolution	1920×1200
Colours displayed	16.7M
Brightness (cd/m ²)	1000+
Contrast	500:1
Typical reaction time Tr/ Tf (ms)	12.5/12.5
Visual Angle horizontal/vertical (°)	140/120
Backlight / Backlight Lifetime (hours)	LED / 40,000
Touch Panel	
Touch Technology	5-Wire Resistive
Touch Connector	USB
Touch Life (Contacts)	10 million touch in 1 location
Surface Hardness	3H
Surface Treatment	Anti-glare
Operation / Mechanical	
Operating Temperature (°C)	-10 ~ +60
Humidity Range (RH)	10% - 90%
Net weight (kg)	1.80
Gross weight (kg)	2.60 (incl. cartonage)
Housing material	Aluminum
Housing (cm) L × W × H	28.40 × 23.70 × 6.23
Mounting	VESA 100
Power	
Power Indicator	Green LED
Power Supply	100-240V ACDC active switching; 12V DC-Out
Working Power (V)	8-36
Power Consumption (W)	26
Stand-By Consumption (W)	<1

Internal Connectors
1x SO-DIMM Slot, max. 4GB, DDR3L-1333 Single channel memory
1x 12V DC power connector (2-pin)
1x 4-pin SATA power connector; 2x S-ATA 3GB/s ports
1x VGA pin header; 1x SIM-card-Header (connected to MiniPCIe)
1x LVDS connector; 1x S/PDIF output pin header
1x 5-pin LCD power connector
1x Line-Out / Mic-In audio pin header
1x 4-pin (2x2W) audio amplifier connector
1x PS/2 keyboard/mouse connector (6-pin)
2x USB 2.0 header supports additional 4x USB 2.0 ports
2x RS232 connectors (1x externally connected); 1x 8-bit Digital I/O interface
1x Chassis Fan connector

External Connectors
1x 10/100/1000MB LAN
2x Combined RS232 & USB 2.0
2x W-LAN connector
1x 8-36V DC-In

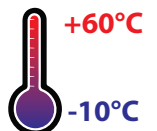
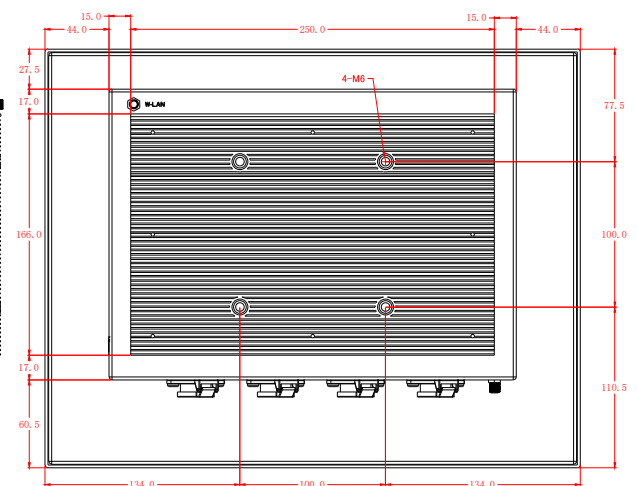
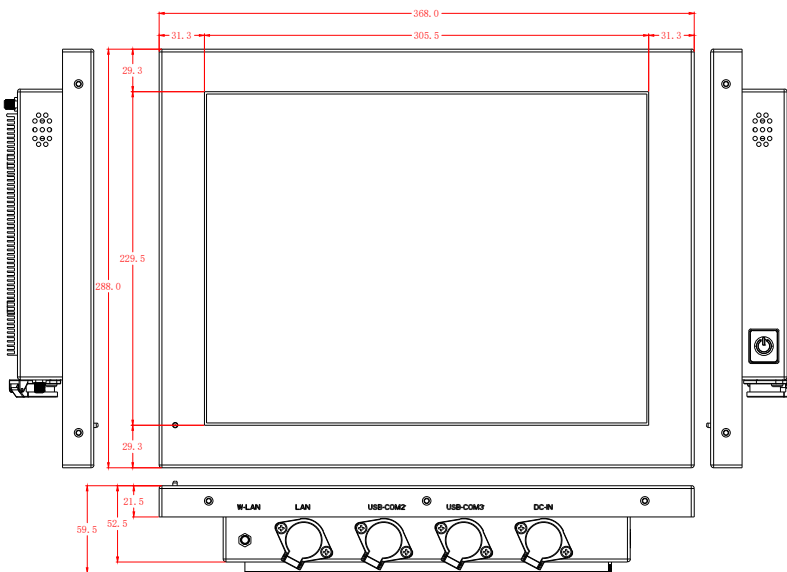
Expansion slots
2x Mini Card slots with PCIe and USB interface (2x Full Height/Half height changeable)

Included in the Delivery	
Power Supply (see Power section)	
Driver DVD	
Short Installation Manual	
Stylus	
W-LAN Antenna	
IP65 Cables	1x DC-In Cable
	1x 10/100/1000M Network Cable
	2x Combined RS232 & USB 2.0

15" IP65 High Brightness Touch PC



VGA connector is optional



IP65 High Brightness Touch PCs

Product name	15" IP65 High Brightness Touch PC
Article code / EAN number	FT15N2807W2G64GIP65HB / 6920734015603
PC System	
CPU	Intel® Celeron™ DualCore N2807
Chipset	Intel® E3800
Graphic GPU	Intel® HD Graphics
Audio	Realtek 887 8 -channel high definition audio codec, Audio Amplifier EUA 2012A
Memory	1x 2GB DDR3L SODimm
Storage	faytech Industrial 64GB SSD
Network	2x Realtek PCIe GB LAN 8111G
Driver Support	Win7/8/10; Linux; 32Bit/64Bit
Pre-installed OS	Linux Ubuntu
LCD Panel	
IP Protection Class	IP65
Screen diagonal (Inch/cm)	15/38.1
Display active screen size (cm)	30.40×22.80
Aspect ratio	4:3
Physical resolution	1024×768
Maximum showable resolution	1920×1200
Colours displayed	16.7M
Brightness (cd/m ²)	1000+
Contrast	700:1
Typical reaction time Tr/ Tf (ms)	8/12
Visual Angle horizontal/vertical (°)	160/160
Backlight / Backlight Lifetime (hours)	LED / 40,000
Touch Panel	
Touch Technology	5-Wire Resistive
Touch Connector	USB
Touch Life (Contacts)	10 million touch in 1 location
Surface Hardness	3H
Surface Treatment	Anti-glare
Operation / Mechanical	
Operating Temperature (°C)	-10 ~ +60
Humidity Range (RH)	10% - 90%
Net weight (kg)	3.40
Gross weight (kg)	5.30 (incl. cartonage)
Housing material	Aluminum
Housing (cm) L × W × H	36.80 × 28.80 × 5.95
Mounting	VESA 100
Power	
Power Indicator	Green LED
Power Supply	100-240V ACDC active switching; 12V DC-Out
Working Power (V)	8-36
Power Consumption (W)	32
Stand-By Consumption (W)	<1

Internal Connectors
1x SO-DIMM Slot, max. 4GB, DDR3L-1333 Single channel memory
1x 12V DC power connector (2-pin)
1x 4-pin SATA power connector; 2x S-ATA 3GB/s ports
1x VGA pin header; 1x SIM-card-Header (connected to MiniPCIe)
1x LVDS connector; 1x S/PDIF output pin header
1x 5-pin LCD power connector
1x Line-Out / Mic-In audio pin header
1x 4-pin (2x2W) audio amplifier connector
1x PS/2 keyboard/mouse connector (6-pin)
2x USB 2.0 header supports additional 4x USB 2.0 ports
2x RS232 connectors (1x externally connected); 1x 8-bit Digital I/O interface
1x Chassis Fan connector

External Connectors
1x 10/100/1000MB LAN
2x Combined RS232 & USB 2.0
2x W-LAN connector
1x 8-36V DC-In

Expansion slots
2x Mini Card slots with PCIe and USB interface (2x Full Height/Half height changeable)

Included in the Delivery	
Power Supply (see Power section)	
Driver DVD	
Short Installation Manual	
Stylus	
W-LAN Antenna	
IP65 Cables	1x DC-In Cable
	1x 10/100/1000M Network Cable
	2x Combined RS232 & USB 2.0



84" Capacitive Touch Monitor displayed at Hong Kong Exhibition Fair

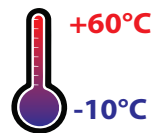
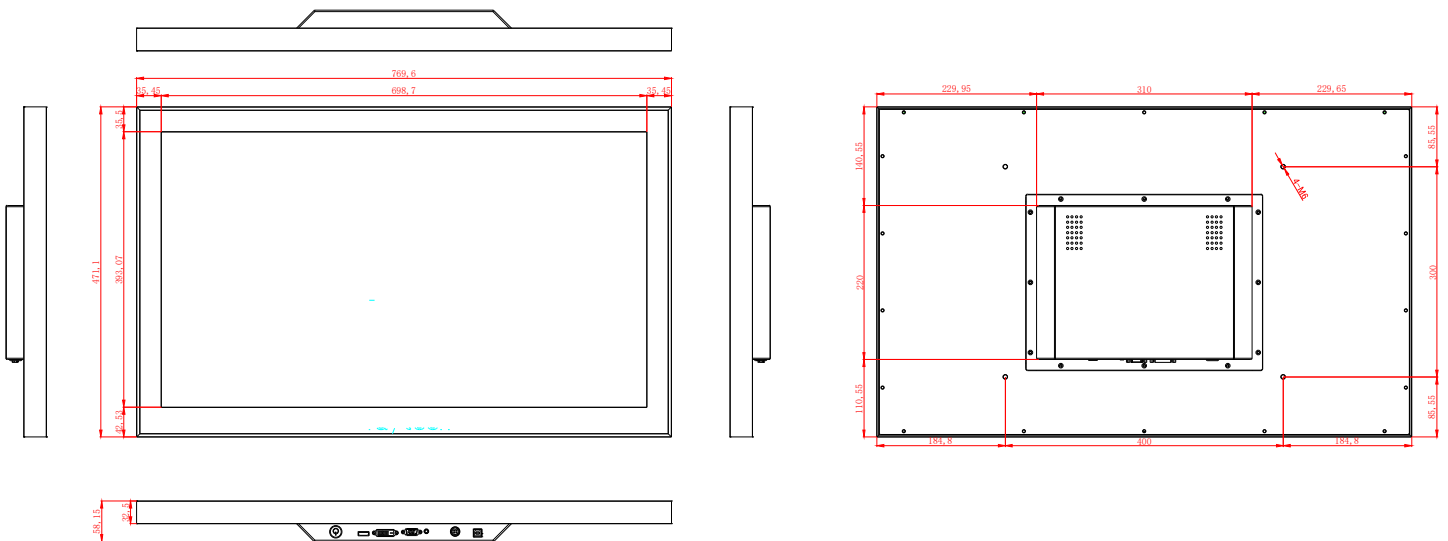


Large Size Capacitive Touch Monitors

faytech's large size Capacitive Touch Monitors are the right choice for industrial and business application. The sturdy metal case will not only protect the monitor from possible harm, but also perfectly fits in any high-class POS environment. The capacitive 10-finger (40-finger for 84" device) multitouch panel brings an incredible using experience, easy to use, just like a smartphone but with a large screen. Each model in the series is built for reliability and extended service. An industrial HD-LCD panel with energy-efficient LED technology, A+ quality, wide viewing angle and multitouch panel, which in combination creates a perfect interactive solution for digital signage, way-finding, classrooms, shopping malls, supermarkets, hotels, arenas, fashion shows, industrial automation and many other uses.

Ultra high display quality on 84" Capacitive Touch Monitor

32" Capacitive Touch Monitor



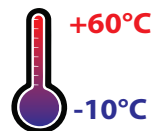
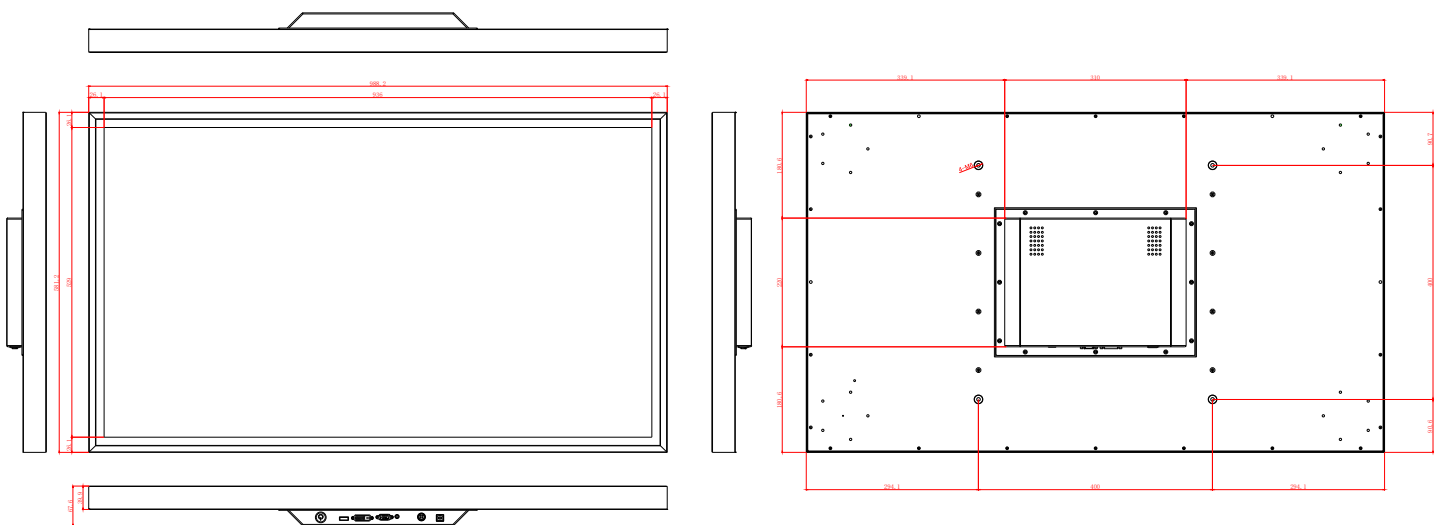
Large Size Capacitive Touch Monitors

Product name	32" Capacitive Touch Monitor
Article code / EAN number	FT32TMBCAP / 6920734032105
LCD Panel	
IP rating	IP65 Front / IP40 Back
Screen diagonal (Inch/cm)	31.5/80.01
Display active screen size (cm)	69.84×39.29
Aspect ratio	16:9
Physical resolution	1920×1080
Maximum showable resolution	1920×1200
Colours displayed	16.7M
Brightness (cd/m ²)	350
Contrast	3000:1
Typical reaction time Tr/ Tf (ms)	6/1
Visual Angle horizontal/vertical (°)	178/178
Backlight / Backlight Lifetime (hours)	LED / min. 30,000
Touch Panel	
Touch Technology	Projected Capacitive 10-point Multitouch
Touch Panel Drivers	Windows; Linux; Mac; Android
Touch Life (Contacts)	Unlimited
Surface Hardness	7H
Surface Treatment	Anti-glare (chemical etched)
Operation / Mechanical	
Operating Temperature (°C)	-10 ~ +60
Humidity Range (RH)	10% - 90%
Net weight (kg)	13.50
Gross weight (kg)	19.50 (incl. cartonage)
Housing material	Aluminum
Housing (cm) L × W × H	76.96 × 47.11 × 5.82
Mounting	VESA 400 × 300
Power	
Power Indicator	Green LED
Power Supply	100-240V ACDC active switching; 24V DC-Out
Working Power (V)	24
Power Consumption (W)	65
Stand-By Consumption (W)	<1

External Connectors	
Video	1x VGA
	1x DVI-D
	1x HDMI 1.3 (incl. HDCP)
Audio	1x PC-Audio
Touch Connector	1x USB
Connectors	1x 24V DC-In

Included in the Delivery
Power Supply (see Power section)
HDMI Cable
USB Cable

42" Capacitive Touch Monitor



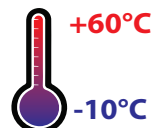
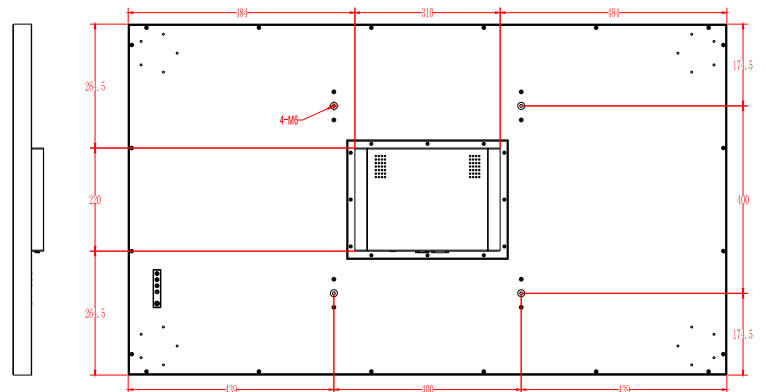
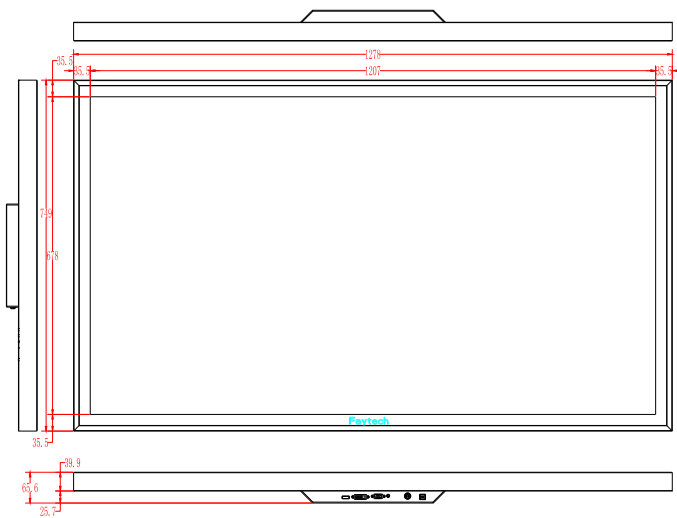
Large Size Capacitive Touch Monitors

Product name	42" Capacitive Touch Monitor
Article code / EAN number	FT42TMBCAP / 6920734042104
LCD Panel	
IP rating	IP65 Front / IP40 Back
Screen diagonal (Inch/cm)	42/106.73
Display active screen size (cm)	93.02×52.33
Aspect ratio	16:9
Physical resolution	1920×1080
Maximum showable resolution	1920×1200
Colours displayed	16.7M
Brightness (cd/m ²)	360
Contrast	1400:1
Typical reaction time Tr/ Tf (ms)	6/8
Visual Angle horizontal/vertical (°)	178/178
Backlight / Backlight Lifetime (hours)	LED / min. 30,000
Touch Panel	
Touch Technology	Projected Capacitive 10-point Multitouch
Touch Panel Drivers	Windows; Linux; Mac; Android
Touch Life (Contacts)	Unlimited
Surface Hardness	7H
Surface Treatment	Anti-glare (chemical etched)
Operation / Mechanical	
Operating Temperature (°C)	-10 ~ +60
Humidity Range (RH)	10% - 90%
Net weight (kg)	28.00
Gross weight (kg)	36.00 (incl. cartonage)
Housing material	Aluminum
Housing (cm) L × W × H	98.82 × 58.12 × 6.76
Mounting	VESA 400 × 300
Power	
Power Indicator	Green LED
Power Supply	100-240V ACDC active switching; 24V DC-Out
Working Power (V)	24
Power Consumption (W)	85
Stand-By Consumption (W)	<1

External Connectors	
Video	1x VGA
	1x DVI-D
	1x HDMI 1.3 (incl. HDCP)
Audio	1x PC-Audio
Touch Connector	1x USB
Connectors	1x 24V DC-In

Included in the Delivery
Power Supply (see Power section)
HDMI Cable
USB Cable

55" Capacitive Touch Monitor



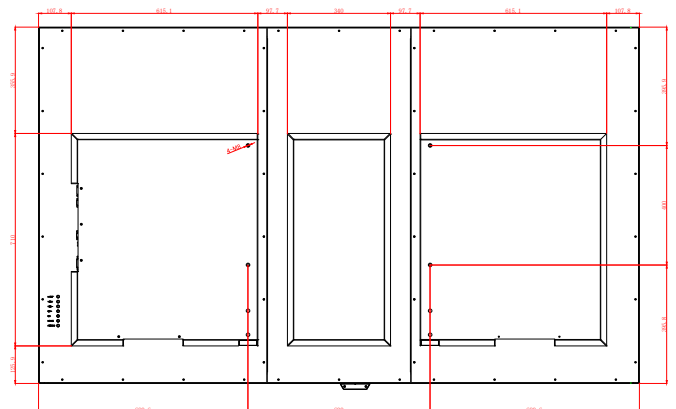
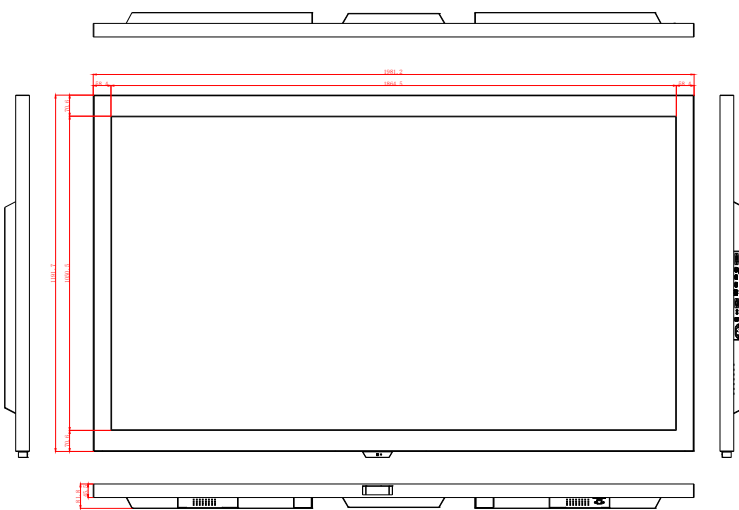
Large Size Capacitive Touch Monitors

Product name	55" Capacitive Touch Monitor
Article code / EAN number	FT55TMBCAP / 6920734055104
LCD Panel	
IP rating	IP65 Front / IP40 Back
Screen diagonal (Inch/cm)	55/138.80
Display active screen size (cm)	121.00×68.00
Aspect ratio	16:9
Physical resolution	1920×1080
Maximum showable resolution	1920×1200
Colours displayed	16.7M
Brightness (cd/m ²)	350
Contrast	1400:1
Typical reaction time Tr/ Tf (ms)	6/8
Visual Angle horizontal/vertical (°)	178/178
Backlight / Backlight Lifetime (hours)	LED / 50,000
Touch Panel	
Touch Technology	Projected Capacitive 10-point Multitouch
Touch Panel Drivers	Windows; Linux; Mac; Android
Touch Life (Contacts)	Unlimited
Surface Hardness	7H
Surface Treatment	Anti-glare (chemical etched)
Operation / Mechanical	
Operating Temperature (°C)	-10 ~ +60
Humidity Range (RH)	10% - 90%
Net weight (kg)	39.50
Gross weight (kg)	49.50 (incl. cartonage)
Housing material	Aluminum
Housing (cm) L × W × H	127.80 × 74.90 × 6.56
Mounting	VESA 400 × 400
Power	
Power Indicator	Green LED
Power Supply	100-240V ACDC active switching; 24V DC-Out
Working Power (V)	24
Power Consumption (W)	125
Stand-By Consumption (W)	<1

External Connectors	
Video	1x VGA
	1x DVI-D
	1x HDMI 1.3 (incl. HDCP)
Audio	1x PC-Audio
Touch Connector	1x USB
Connectors	1x 24V DC-In

Included in the Delivery
Power Supply (see Power section)
HDMI Cable
USB Cable

84" Capacitive Touch Monitor

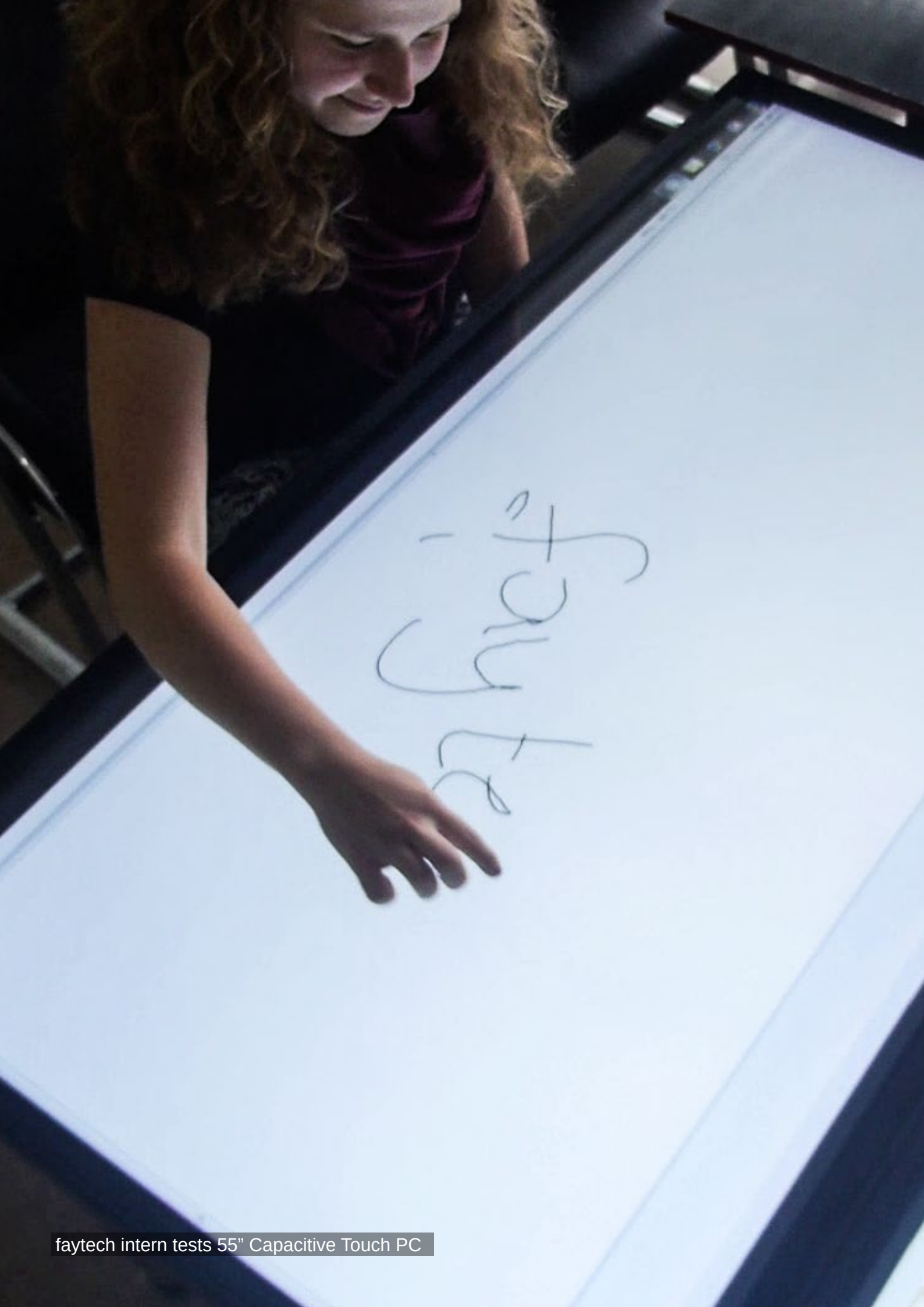


Large Size Capacitive Touch Monitors

Product name	84" Capacitive Touch Monitor
Article code / EAN number	FT84TMBCAP / 6920734084104
LCD Panel	
IP rating	IP65 Front / IP40 Back
Screen diagonal (Inch/cm)	84/213.36
Display active screen size (cm)	186.04×104.65
Aspect ratio	17:10
Physical resolution	3840×2160
Maximum showable resolution	3840×2160
Colours displayed	1.06 Billion
Brightness (cd/m ²)	350
Contrast	1600:1
Typical reaction time Tr/ Tf (ms)	5/8
Visual Angle horizontal/vertical (°)	178/178
Backlight / Backlight Lifetime (hours)	LED / 50,000
Touch Panel	
Touch Technology	Projected Capacitive 40-point Multitouch
Touch Panel Drivers	Windows; Linux; Mac; Android
Touch Life (Contacts)	Unlimited
Surface Hardness	7H
Surface Treatment	Anti-glare (chemical etched)
Operation / Mechanical	
Operating Temperature (°C)	-10 ~ +60
Humidity Range (RH)	10% - 90%
Net weight (kg)	92.00
Gross weight (kg)	165.00 (incl. cartonage)
Housing material	Aluminum
Housing (cm) L × W × H	198.12 × 119.17 × 8.18
Mounting	VESA 600 × 400
Power	
Power Indicator	Green LED
Power Supply	100-240V AC IN
Working Power (V)	AC 100-240 V
Power Consumption (W)	410
Stand-By Consumption (W)	<1

External Connectors	
Video	1x VGA
	1x HDMI 2.0 (HDMI 1)
	2x HDMI 1.4 (HDMI 2, HDMI 3)
	1x DVI-I
	2x DisplayPort 1.2
Audio	1x PC-Audio
	1x Earphone-Out
Touch Connector	1x USB
Connectors	1x RS232 COM
	1x 100-240V AC-IN

Included in the Delivery
AC Cable
HDMI Cable
Remote Controller



faytech intern tests 55" Capacitive Touch PC

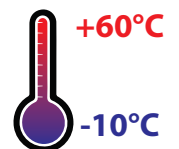
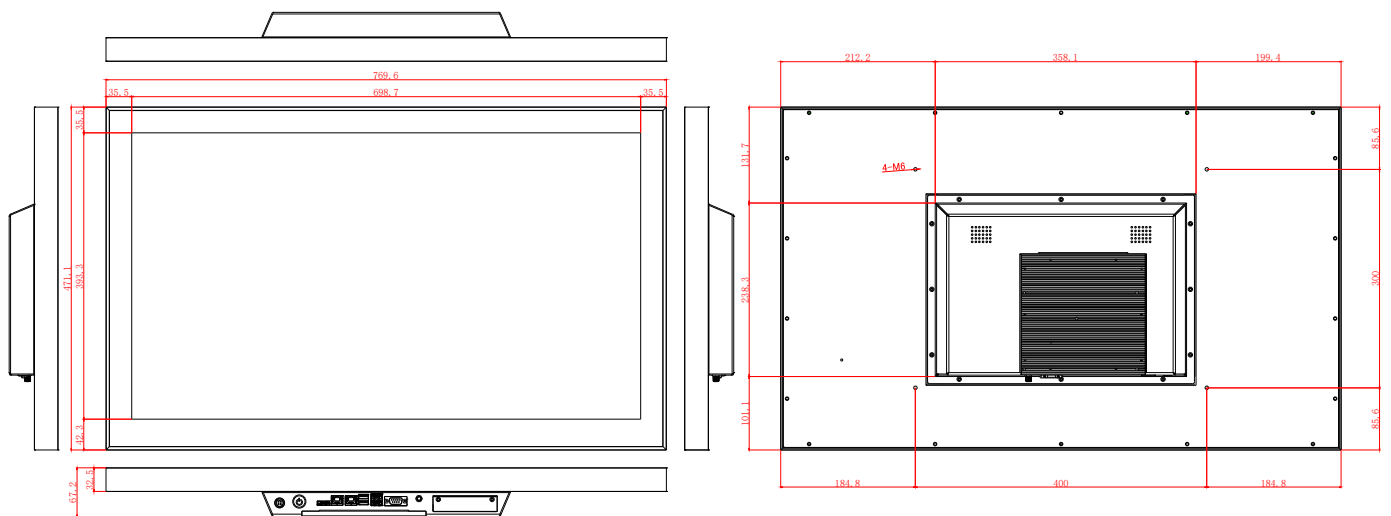
Large Size Capacitive Touch PCs

With its modern design and high durability, faytech's Large Size Capacitive Touch PCs are perfect for countless occasions. Available in 32", 42", and 55", every model is built for reliability and extended service. The unit has an industrial HD LCD panel with energy-efficient LED technology, A+ quality, wide viewing angle and multi touch panel, which in combination creates a perfect interactive solution for digital signage, way-finding, classrooms, dealers, supermarkets, hotels, arenas, fashion shows, industrial automation and many other uses.

The PCs are powered by fay-002 industrial mainboard with Intel® QuadCore CPU and Intel® HD Graphics chipset. With a reliable industrial SSD, pre-installed with Linux Ubuntu OS, integrated WI-Fi, built-in speakers, network, audio and video interfaces, USB and serial connectors and a variety of other features, these hi-tech devices are complete packages ready to be used.

For customization, faytech's large size Touch PCs are also available with faytech's embedded mainboard, or with powerful fanless Intel® i5-5200u CPU. faytech also provides brightness enhancement up to 2500 Nits and IP65 solutions.

32" Capacitive Touch PC



Large Size Capacitive Touch PCs

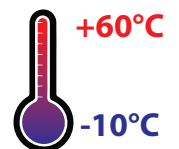
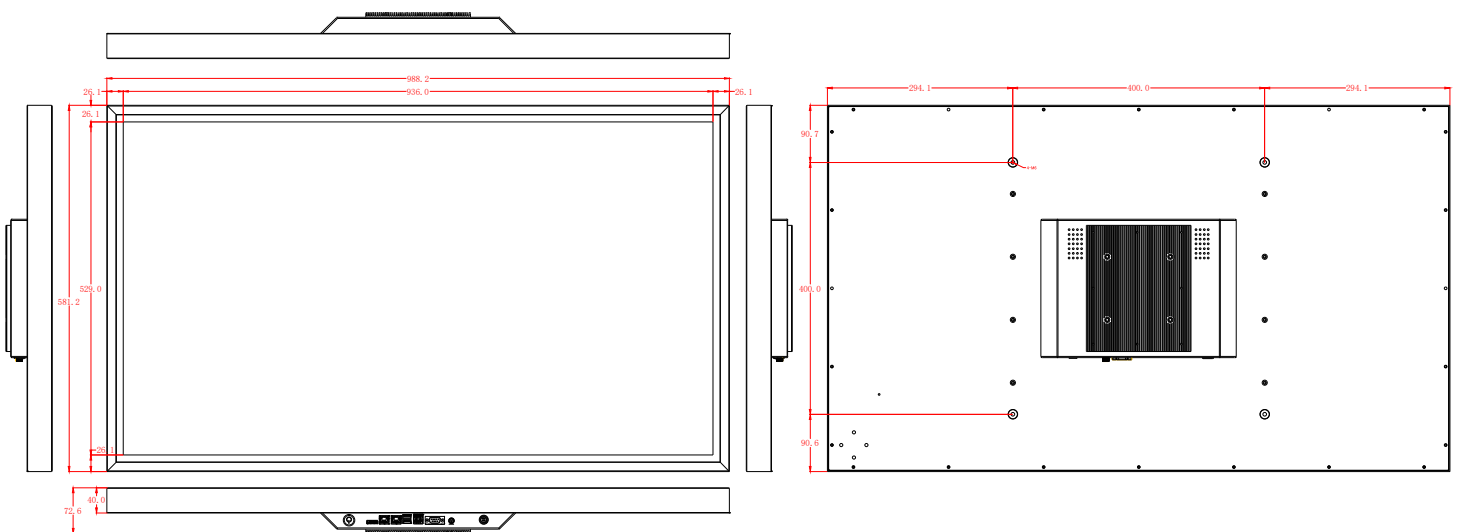
Product name	32" Capacitive Touch PC
Article code / EAN number	FT32J1900W4G64GCAP / 6920734032525
PC System	
CPU	Intel® Celeron™ QuadCore J1900
Chipset	Intel® E3800
Graphic GPU	Intel® HD Graphics
Audio	Realtek 887 8 -channel high definition audio codec, Audio Amplifier EUA 2012A
Memory	1x 4GB DDR3L SODimm (expandable to 8GB)
Storage	faytech Industrial 64GB SSD
Network	2x Realtek PCIe GB LAN 8111G
Driver Support	Win7/8/10; Linux; 32Bit/64Bit
Pre-installed OS	Linux Ubuntu
LCD Panel	
IP rating	IP65 Front / IP40 Back
Screen diagonal (Inch/cm)	31.5/80.01
Display active screen size (cm)	69.84×39.29
Aspect ratio	16:9
Physical resolution	1920×1080
External Maximum showable resolution - DP	1920×1200
Colours displayed	16.7M
Brightness (cd/m ²)	350
Contrast	3000:1
Typical reaction time Tr/ Tf (ms)	6/1
Visual Angle horizontal/vertical (°)	178/178
Backlight / Backlight Lifetime (hours)	LED / min.30,000
Touch Panel	
Touch Technology	Projected Capacitive 10-Point Multitouch
Touch Connector	USB
Touch Life (Contacts)	Unlimited
Surface Hardness	7H
Surface Treatment	Anti-glare (chemical etched)
Operation / Mechanical	
Operating Temperature (°C)	-10 ~ +60
Humidity Range (RH)	10% - 90%
Net weight (kg)	14.50
Gross weight (kg)	20.50 (incl. cartonage)
Housing material	Aluminum
Housing (cm) L × W × H	76.96 × 47.11 × 6.72
Mounting	VESA 400
Power	
Power Indicator	Green LED
Power Supply	100-240V ACDC active switching; 24V DC-Out
Working Power (V)	24
Power Consumption (W)	75
Stand-By Consumption (W)	<1

Internal Connectors
1x SO-DIMM Slot, max. 8GB, DDR3L-1333 Single channel memory
1x 12V DC power connector (2-pin); 1x 4-pin SATA power connector
2x S-ATA 3GB/s ports; 1x 5-pin LCD power connector
1x VGA pin header; 1x SIM-card-Header (connected to MiniPCIe); 1x LVDS connector
1x S/PDIF output pin header; 1x 8-bit Digital I/O interface
1x 4-pin (2x2W) audio amplifier connector
1x PS/2 keyboard/mouse connector (6-pin)
2x USB 2.0 header supports additional 4x USB 2.0 ports
3x RS232/RS485 COM connectors, switchable between RS232/RS485 in BIOS
1x Chassis Fan connector

External Connectors
1x Display port
1x USB 3.0; 3x USB 2.0 ports
1x COM port Full-Pin (RS232/485; 5V/12V)
2x 10/100/1000Mbit RJ45 Ports
2x W-LAN connector
1x 24V 4-PIN DC-In
1x 2.5" module slot, changeable SSD included

Expansion slots	
2x Mini Card slots with PCIe and USB interface (2x Full Height/Half height changeable)	
1x PCIeX1 Straddle connector	
Included in the Delivery	
Power Supply (see Power section)	
Driver DVD	
Short Installation Manual	
W-LAN Antenna	

42" Capacitive Touch PC



Large Size Capacitive Touch PCs

Product name	42" Capacitive Touch PC
Article code / EAN number	FT42J1900W4G64GCAP / 6920734042524
PC System	
CPU	Intel® Celeron™ QuadCore J1900
Chipset	Intel® E3800
Graphic GPU	Intel® HD Graphics
Audio	Realtek 887 8 -channel high definition audio codec, Audio Amplifier EUA 2012A
Memory	1x 4GB DDR3L SODimm (expandable to 8GB)
Storage	faytech Industrial 64GB SSD
Network	2x Realtek PCIe GB LAN 8111G
Driver Support	Win7/8/10; Linux; 32Bit/64Bit
Pre-installed OS	Linux Ubuntu
LCD Panel	
IP rating	IP65 Front / IP40 Back
Screen diagonal (Inch/cm)	42/106.73
Display active screen size (cm)	93.02x52.33
Aspect ratio	16:9
Physical resolution	1920x1080
External Maximum showable resolution - DP	1920x1200
Colours displayed	16.7M
Brightness (cd/m ²)	360
Contrast	1400:1
Typical reaction time Tr/ Tf (ms)	6/8
Visual Angle horizontal/vertical (°)	178/178
Backlight / Backlight Lifetime (hours)	LED / 50,000
Touch Panel	
Touch Technology	Projected Capacitive 10-Point Multitouch
Touch Connector	USB
Touch Life (Contacts)	Unlimited
Surface Hardness	7H
Surface Treatment	Anti-glare (chemical etched)
Operation / Mechanical	
Operating Temperature (°C)	-10 ~ +60
Humidity Range (RH)	10% - 90%
Net weight (kg)	29.00
Gross weight (kg)	37.00 (incl. cartonage)
Housing material	Aluminum
Housing (cm) L × W × H	98.82 × 58.12 × 7.26
Mounting	VESA 400
Power	
Power Indicator	Green LED
Power Supply	100-240V ACDC active switching; 24V DC-Out
Working Power (V)	24
Power Consumption (W)	90
Stand-By Consumption (W)	<1

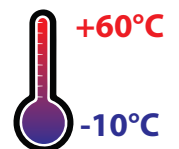
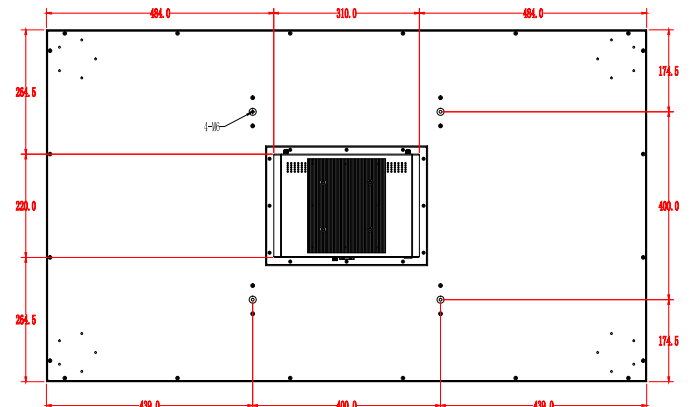
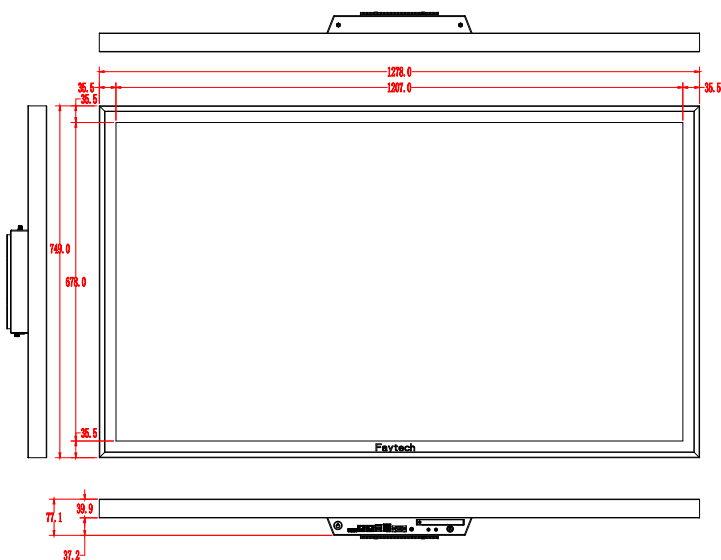
Internal Connectors
1x SO-DIMM Slot, max. 8GB, DDR3L-1333 Single channel memory
1x 12V DC power connector (2-pin); 1x 4-pin SATA power connector
2x S-ATA 3GB/s ports; 1x 5-pin LCD power connector
1x VGA pin header; 1x SIM-card-Header (connected to MiniPCIe); 1x LVDS connector
1x S/PDIF output pin header; 1x 8-bit Digital I/O interface
1x 4-pin (2x2W) audio amplifier connector
1x PS/2 keyboard/mouse connector (6-pin)
2x USB 2.0 header supports additional 4x USB 2.0 ports
3x RS232/RS485 COM connectors, switchable between RS232/RS485 in BIOS
1x Chassis Fan connector

External Connectors
1x Display port
1x USB 3.0; 3x USB 2.0 ports
1x COM port Full-Pin (RS232/485; 5V/12V)
2x 10/100/1000Mbit RJ45 Ports
2x W-LAN connector
1x 24V 4-PIN DC-In
1x 2.5" module slot, changeable SSD included

Expansion slots
2x Mini Card slots with PCIe and USB interface (2x Full Height/Half height changeable)
1x PCIeX1 Straddle connector

Included in the Delivery
Power Supply (see Power section)
Driver DVD
Short Installation Manual
W-LAN Antenna

55" Capacitive Touch PC



Large Size Capacitive Touch PCs

Product name	55" Capacitive Touch PC
Article code / EAN number	FT55J1900W4G64GCAP / 6920734055524
PC System	
CPU	Intel® Celeron™ QuadCore J1900
Chipset	Intel® E3800
Graphic GPU	Intel® HD Graphics
Audio	Realtek 887 8 -channel high definition audio codec, Audio Amplifier EUA 2012A
Memory	1x 4GB DDR3L SODimm (expandable to 8GB)
Storage	faytech Industrial 64GB SSD
Network	2x Realtek PCIe GB LAN 8111G
Driver Support	Win7/8/10; Linux; 32Bit/64Bit
Pre-installed OS	Linux Ubuntu
LCD Panel	
IP rating	IP65 Front / IP40 Back
Screen diagonal (Inch/cm)	55/138.80
Display active screen size (cm)	121.00×68.00
Aspect ratio	16:9
Physical resolution	1920×1080
External Maximum showable resolution - DP	1920×1200
Colours displayed	16.7M
Brightness (cd/m ²)	350
Contrast	1400:1
Typical reaction time Tr/ Tf (ms)	6/8
Visual Angle horizontal/vertical (°)	178/178
Backlight / Backlight Lifetime (hours)	LED / 50,000
Touch Panel	
Touch Technology	Projected Capacitive 10-Point Multitouch
Touch Connector	USB
Touch Life (Contacts)	Unlimited
Surface Hardness	7H
Surface Treatment	Anti-glare (chemical etched)
Operation / Mechanical	
Operating Temperature (°C)	-10 ~ +60
Humidity Range (RH)	10% - 90%
Net weight (kg)	40.50
Gross weight (kg)	50.50 (incl. cartonage)
Housing material	Aluminum
Housing (cm) L × W × H	127.80 × 74.90 × 7.71
Mounting	VESA 400
Power	
Power Indicator	Green LED
Power Supply	100-240V ACDC active switching; 24V DC-Out
Working Power (V)	24
Power Consumption (W)	130
Stand-By Consumption (W)	<1

Internal Connectors
1x SO-DIMM Slot, max. 8GB, DDR3L-1333 Single channel memory
1x 12V DC power connector (2-pin); 1x 4-pin SATA power connector
2x S-ATA 3GB/s ports; 1x 5-pin LCD power connector
1x VGA pin header; 1x SIM-card-Header (connected to MiniPCIe); 1x LVDS connector
1x S/PDIF output pin header; 1x 8-bit Digital I/O interface
1x 4-pin (2x2W) audio amplifier connector
1x PS/2 keyboard/mouse connector (6-pin)
2x USB 2.0 header supports additional 4x USB 2.0 ports
3x RS232/RS485 COM connectors, switchable between RS232/RS485 in BIOS
1x Chassis Fan connector

External Connectors
1x Display port
1x USB 3.0; 3x USB 2.0 ports
1x COM port Full-Pin (RS232/485; 5V/12V)
2x 10/100/1000Mbit RJ45 Ports
2x W-LAN connector
1x 24V 4-PIN DC-In
1x 2.5" module slot, changeable SSD included

Expansion slots	
2x Mini Card slots with PCIe and USB interface (2x Full Height/Half height changeable)	
1x PCIeX1 Straddle connector	
Included in the Delivery	
Power Supply (see Power section)	
Short Installation Manual	
W-LAN Antenna	



55" Touch PC Kiosk for outdoor application



Touch PC Kiosks

Available in 21.5", 32" 42" and 55" sizes, faytech's Touch PC Kiosks are manufactured to feature Full HD industrial 24/7 LCD panels for continuous use with energy-efficient LED backlight technology. All models come with 10-finger multitouch capacitive touch panels and stylish appearance.

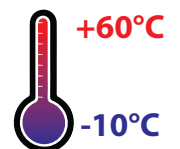
Each kiosk has an extra wide viewing angle, powered by fay-002 mainboard with its powerful Quadcore Celeron™ CPU.

faytech's industrial grade 64G SSD with Linux OS (drivers for Win 7, 8 and 10 available), W-LAN and various PC ports provide a complete and reliable solution that can be used out of the box.

faytech's Touch PC Kiosks are the perfect choice for conference rooms, digital signage, classrooms, traders, transit stations, way-finding, media presentations, trade shows, and many other applications.

The series offers a wide range of customizable features, e.g. more powerful fay-003 mainboard, webcam, printer, RFID, NFC, flyer-holder, different colors etc.

21.5" Touch PC Kiosk



Touch PC Kiosks

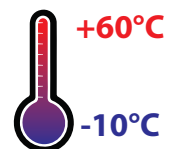
Product name	21.5" Touch PC Kiosk
Article code / EAN number	FTK215J1900W4G64GCAP / 6920734022519
PC System	
CPU	Intel® Celeron™ QuadCore J1900
Chipset	Intel® E3800
Graphic GPU	Intel® HD Graphics
Audio	Realtek 887 8 -channel high definition audio codec, Audio Amplifier EUA 2012A
Memory	1x 4GB DDR3L SODimm (expandable to 8GB)
Storage	faytech Industrial 64GB SSD
Network	2x Realtek PCIe GB LAN 8111G
Driver Support	Win7/8/10; Linux; 32Bit/64Bit
Pre-installed OS	Linux Ubuntu
LCD Panel	
IP rating	IP40
Screen diagonal (Inch/cm)	21.5/54.69
Display active screen size (cm)	47.70×26.80
Aspect ratio	16:9
Physical resolution	1920×1080
External Maximum showable resolution - DP	1920×1200
Colours displayed	16.7M
Brightness (cd/m ²)	250
Contrast	1000:1
Typical reaction time Tr/ Tf (ms)	1.5/3.5
Visual Angle horizontal/vertical (°)	170/160
Backlight / Backlight Lifetime (hours)	LED / 40,000
Touch Panel	
Touch Technology	Projected Capacitive 10-Point Multitouch
Touch Connector	USB
Touch Life (Contacts)	Unlimited
Surface Hardness	7H
Surface Treatment	Anti-glare (chemical etched)
Operation / Mechanical	
Operating Temperature (°C)	-10 ~ +60
Humidity Range (RH)	10% - 90%
Net weight (kg)	35.00
Gross weight (kg)	57.00 (incl. cartonage)
Housing material	Aluminum
Housing (cm) L × W × H	166.80 × 31.30 × 4.50
Power	
Power Indicator	Green LED
Power Supply	100-240V ACDC active switching; 12V DC-Out
Working Power (V)	12
Power Consumption (W)	24
Stand-By Consumption (W)	<1

Internal Connectors
1x SO-DIMM Slot, max. 8GB, DDR3L-1333 Single channel memory
1x 12V DC power connector (2-pin); 1x 4-pin SATA power connector
2x S-ATA 3GB/s ports; 1x 5-pin LCD power connector
1x VGA pin header; 1x SIM-card-Header (connected to MiniPCIe); 1x LVDS connector
1x S/PDIF output pin header; 1x 8-bit Digital I/O interface
1x Line-Out / Mic-In audio pin header
1x 4-pin (2x2W) audio amplifier connector
1x PS/2 keyboard/mouse connector (6-pin)
2x USB 2.0 header supports additional 4x USB 2.0 ports
3x RS232/RS485 COM connectors, switchable between RS232/RS485 in BIOS
1x Chassis Fan connector

External Connectors
1x Display port
1x USB 3.0; 3x USB 2.0 ports
1x COM port Full-Pin (RS232/485; 5V/12V)
2x 10/100/1000Mbit RJ45 Ports
1x 12V DC-In
1x 2.5" module slot, changeable SSD included
Expansion slots
2x Mini Card slots with PCIe and USB interface (2x Full Height/Half height changeable)
1x PCIeX1 Straddle connector

Included in the Delivery
Power Supply (see Power section)
Short Installation Manual
Stable Base
W-LAN Antenna

32" Touch PC Kiosk



Touch PC Kiosks

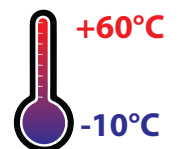
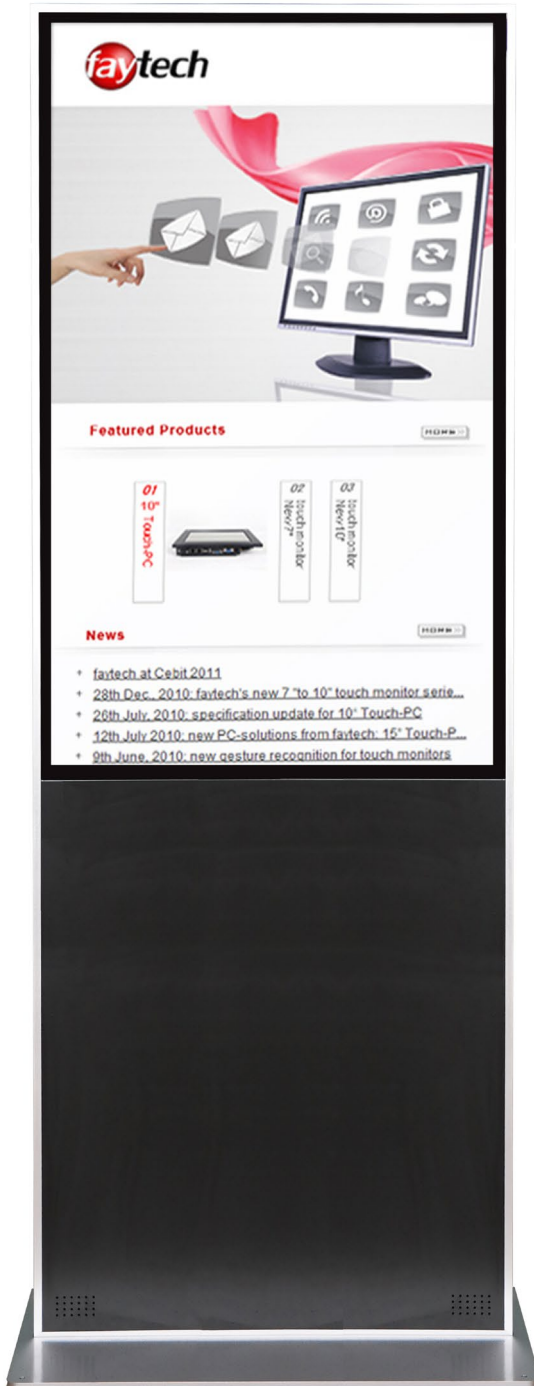
Product name	32" Touch PC Kiosk
Article code / EAN number	FTK32J1900W4G64GCAP / 6920734032556
PC System	
CPU	Intel® Celeron™ QuadCore J1900
Chipset	Intel® E3800
Graphic GPU	Intel® HD Graphics
Audio	Realtek 887 8 -channel high definition audio codec, Audio Amplifier EUA 2012A
Memory	1x 4GB DDR3L SODimm (expandable to 8GB)
Storage	faytech Industrial 64GB SSD
Network	2x Realtek PCIe GB LAN 8111G
Driver Support	Win7/8/10; Linux; 32Bit/64Bit
Pre-installed OS	Linux Ubuntu
LCD Panel	
IP rating	IP40
Screen diagonal (Inch/cm)	31.5/80.01
Display active screen size (cm)	69.84×39.29
Aspect ratio	16:9
Physical resolution	1920×1080
External Maximum showable resolution - DP	1920×1200
Colours displayed	16.7M
Brightness (cd/m ²)	350
Contrast	3000:1
Typical reaction time Tr/ Tf (ms)	6.5/1
Visual Angle horizontal/vertical (°)	178/178
Backlight / Backlight Lifetime (hours)	LED / min. 30,000
Touch Panel	
Touch Technology	Projected Capacitive 10-Point Multitouch
Touch Connector	USB
Touch Life (Contacts)	Unlimited
Surface Hardness	7H
Surface Treatment	Anti-glare (chemical etched)
Operation / Mechanical	
Operating Temperature (°C)	-10 ~ +60
Humidity Range (RH)	10% - 90%
Net weight (kg)	37.00
Gross weight (kg)	67.00 (incl. cartonage)
Housing material	Aluminum
Housing (cm) L × W × H	180.00 × 47.75 × 4.70
Power	
Power Indicator	Green LED
Power Supply	100-240V ACDC active switching; 24V DC-Out
Working Power (V)	24
Power Consumption (W)	66
Stand-By Consumption (W)	<1

Internal Connectors
1x SO-DIMM Slot, max. 8GB, DDR3L-1333 Single channel memory
1x 12V DC power connector (2-pin); 1x 4-pin SATA power connector
2x S-ATA 3GB/s ports; 1x 5-pin LCD power connector
1x VGA pin header; 1x SIM-card-Header (connected to MiniPCIe); 1x LVDS connector
1x S/PDIF output pin header; 1x 8-bit Digital I/O interface
1x Line-Out / Mic-In audio pin header
1x 4-pin (2x2W) audio amplifier connector
1x PS/2 keyboard/mouse connector (6-pin)
2x USB 2.0 header supports additional 4x USB 2.0 ports
3x RS232/RS485 COM connectors, switchable between RS232/RS485 in BIOS
1x Chassis Fan connector

External Connectors
1x Display port
1x USB 3.0; 3x USB 2.0 ports
1x COM port Full-Pin (RS232/485; 5V/12V)
2x 10/100/1000Mbit RJ45 Ports
1x 24V DC-In
1x 2.5" module slot, changeable SSD included
Expansion slots
2x Mini Card slots with PCIe and USB interface (2x Full Height/Half height changeable)
1x PCIeX1 Straddle connector

Included in the Delivery
Power Supply (see Power section)
Short Installation Manual
Stable Base
W-LAN Antenna

42" Touch PC Kiosk



Touch PC Kiosks

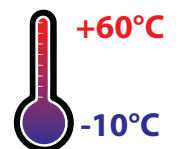
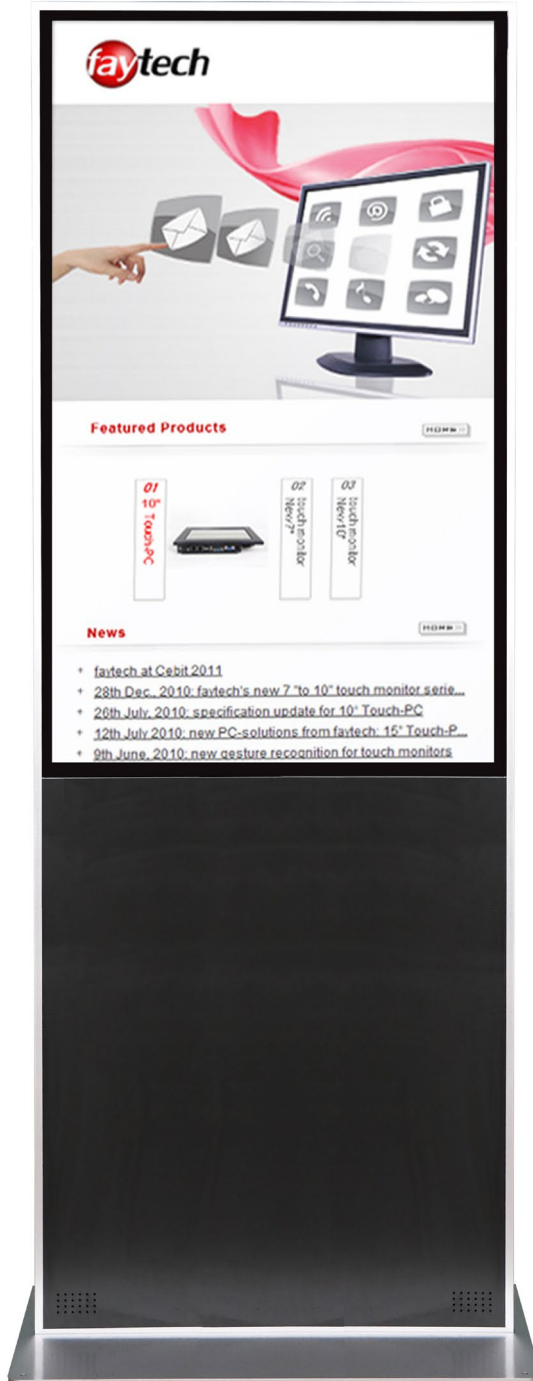
Product name	42" Touch PC Kiosk
Article code / EAN number	FTK42J1900W4G64GCAP / 6920734042555
PC System	
CPU	Intel® Celeron™ QuadCore J1900
Chipset	Intel® E3800
Graphic GPU	Intel® HD Graphics
Audio	Realtek 887 8 -channel high definition audio codec, Audio Amplifier EUA 2012A
Memory	1x 4GB DDR3L SODimm (expandable to 8GB)
Storage	faytech Industrial 64GB SSD
Network	2x Realtek PCIe GB LAN 8111G
Driver Support	Win7/8/10; Linux; 32Bit/64Bit
Pre-installed OS	Linux Ubuntu
LCD Panel	
IP rating	IP40
Screen diagonal (Inch/cm)	42/106.73
Display active screen size (cm)	93.02×52.33
Aspect ratio	16:9
Physical resolution	1920×1080
External Maximum showable resolution - DP	1920×1200
Colours displayed	16.7M
Brightness (cd/m ²)	360
Contrast	1400:1
Typical reaction time Tr/ Tf (ms)	6/8
Visual Angle horizontal/vertical (°)	178/178
Backlight / Backlight Lifetime (hours)	LED / 50,000
Touch Panel	
Touch Technology	Projected Capacitive 10-Point Multitouch
Touch Connector	USB
Touch Life (Contacts)	Unlimited
Surface Hardness	7H
Surface Treatment	Anti-glare (chemical etched)
Operation / Mechanical	
Operating Temperature (°C)	-10 ~ +60
Humidity Range (RH)	10% - 90%
Net weight (kg)	60.00
Gross weight (kg)	103.00 (incl. cartonage)
Housing material	Aluminum
Housing (cm) L × W × H	179.00 × 64.00 × 8.04
Power	
Power Indicator	Green LED
Power Supply	100-240V ACDC active switching; 24V DC-Out
Working Power (V)	24
Power Consumption (W)	86
Stand-By Consumption (W)	<1

Internal Connectors
1x SO-DIMM Slot, max. 8GB, DDR3L-1333 Single channel memory
1x 12V DC power connector (2-pin); 1x 4-pin SATA power connector
2x S-ATA 3GB/s ports; 1x 5-pin LCD power connector
1x VGA pin header; 1x SIM-card-Header (connected to MiniPCIe); 1x LVDS connector
1x S/PDIF output pin header; 1x 8-bit Digital I/O interface
1x Line-Out / Mic-In audio pin header
1x 4-pin (2x2W) audio amplifier connector
1x PS/2 keyboard/mouse connector (6-pin)
2x USB 2.0 header supports additional 4x USB 2.0 ports
3x RS232/RS485 COM connectors, switchable between RS232/RS485 in BIOS
1x Chassis Fan connector

External Connectors
1x Display port
1x USB 3.0; 3x USB 2.0 ports
1x COM port Full-Pin (RS232/485; 5V/12V)
2x 10/100/1000Mbit RJ45 Ports
1x 24V DC-In
1x 2.5" module slot, changeable SSD included
Expansion slots
2x Mini Card slots with PCIe and USB interface (2x Full Height/Half height changeable)
1x PCIeX1 Straddle connector

Included in the Delivery
Power Supply (see Power section)
Short Installation Manual
Stable Base
W-LAN Antenna

55" Touch PC Kiosk



Touch PC Kiosks

Product name	55" Touch PC Kiosk
Article code / EAN number	FTK55J1900W4G64GCAP / 6920734055562
PC System	
CPU	Intel® Celeron™ QuadCore J1900
Chipset	Intel® E3800
Graphic GPU	Intel® HD Graphics
Audio	Realtek 887 8 -channel high definition audio codec, Audio Amplifier EUA 2012A
Memory	1x 4GB DDR3L SODimm (expandable to 8GB)
Storage	faytech Industrial 64GB SSD
Network	2x Realtek PCIe GB LAN 8111G
Driver Support	Win7/8/10; Linux; 32Bit/64Bit
Pre-installed OS	Linux Ubuntu
LCD Panel	
IP rating	IP40
Screen diagonal (Inch/cm)	55/138.8
Display active screen size (cm)	121.00×68.00
Aspect ratio	16:9
Physical resolution	1920×1080
External Maximum showable resolution - DP	1920×1200
Colours displayed	16.7M
Brightness (cd/m ²)	350
Contrast	1400:1
Typical reaction time Tr/ Tf (ms)	6/8
Visual Angle horizontal/vertical (°)	178/178
Backlight / Backlight Lifetime (hours)	LED / 50,000
Touch Panel	
Touch Technology	Projected Capacitive 10-Point Multitouch
Touch Connector	USB
Touch Life (Contacts)	Unlimited
Surface Hardness	7H
Surface Treatment	Anti-glare (chemical etched)
Operation / Mechanical	
Operating Temperature (°C)	-10 ~ +60
Humidity Range (RH)	10% - 90%
Net weight (kg)	75.00
Gross weight (kg)	100.00 (incl. cartonage)
Housing material	Aluminum
Housing (cm) L × W × H	191.15 × 74.90 × 4.50
Power	
Power Indicator	Green LED
Power Supply	100-240V ACDC active switching; 24V DC-Out
Working Power (V)	24
Power Consumption (W)	126
Stand-By Consumption (W)	<1

Internal Connectors
1x SO-DIMM Slot, max. 8GB, DDR3L-1333 Single channel memory
1x 12V DC power connector (2-pin); 1x 4-pin SATA power connector
2x S-ATA 3GB/s ports; 1x 5-pin LCD power connector
1x VGA pin header; 1x SIM-card-Header (connected to MiniPCIe); 1x LVDS connector
1x S/PDIF output pin header; 1x 8-bit Digital I/O interface
1x Line-Out / Mic-In audio pin header
1x 4-pin (2x2W) audio amplifier connector
1x PS/2 keyboard/mouse connector (6-pin)
2x USB 2.0 header supports additional 4x USB 2.0 ports
3x RS232/RS485 COM connectors, switchable between RS232/RS485 in BIOS
1x Chassis Fan connector

External Connectors
1x Display port
1x USB 3.0; 3x USB 2.0 ports
1x COM port Full-Pin (RS232/485; 5V/12V)
2x 10/100/1000Mbit RJ45 Ports
1x 24V DC-In
1x 2.5" module slot, changeable SSD included
Expansion slots
2x Mini Card slots with PCIe and USB interface (2x Full Height/Half height changeable)
1x PCIeX1 Straddle connector

Included in the Delivery
Power Supply (see Power section)
Short Installation Manual
Stable Base
W-LAN Antenna



faytech Tech. Co., Ltd. relies on German Engineering standards and combines that with attractive priced Asian Manufacturing. In combination with reliable Local Service, faytech offers one of the most interesting packages in the touch device industry.

Distributors in Europe, North America, Australia, Africa and Asia offer **faytech** products making it a reliable global brand.



For technical & support questions please contact:

Worldwide support

support@faytech.com (English, German, Chinese)

Support hotlines:

Germany: +49 (0) 551 82098660 (German)

USA: +1 646 205 3214 (English)

China: +86 755 89580612 (English, German, Chinese)

Website:

www.faytech.com

Company videos:

www.youtube.com/faytechTouchDevices

Blog:

www.faytechtouchdevices.wordpress.com

© 2017-2018 faytech Tech. Co., Ltd.
All rights reserved.