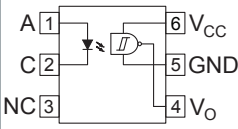
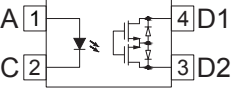
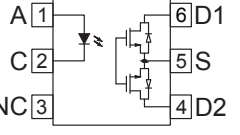
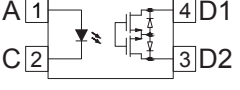


Schmitt Trigger

Part Number	Circuit	Package	V _{ISO} (rms) (V)	Data Rate (Mbit/s)	Hysteresis Ratio	Supply Voltage (V)	I _{F(ON)} Max. (mA)	T _{OPR} (°C)
H11L1 H11L2 H11L3		DIP-6	5000	1	0.5~0.9	3~15	1.6 10 5	-55~100

Solid State Relay

Part Number	Circuit	Package	V _{ISO} (rms) (V)	I _{F(ON)} Max. (mA)	Load Voltage (V)	Ron Max. (Ω)			T _{OPR} (°C)
						A	B	C	
CTR212-4L		DIP-4	5000	3	60	1.4	-	-	-40~85
CTR213-4L		DIP-4	5000	3	250	8	-	-	-40~85
CTR214-4L		DIP-4	5000	3	400	16	-	-	-40~85
CTR216-4L		DIP-4	5000	3	600	30	-	-	-40~85
CTR212-6L		DIP-6	5000	3	60	1.4	0.7	3.5	-40~85
CTR213-6L		DIP-6	5000	3	250	8	4	2	-40~85
CTR214-6L		DIP-6	5000	3	400	16	8	4	-40~85
CTR216-6L		DIP-6	5000	3	600	30	15	7.5	-40~85
CTR214-M4		MFP	3750	3	400	40	-	-	-40~125

▪ Forming option available for DIP-4 and DIP-6.