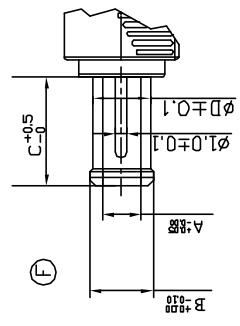
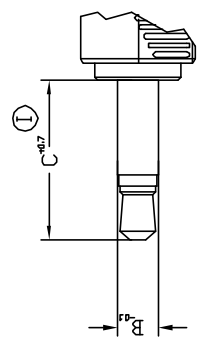
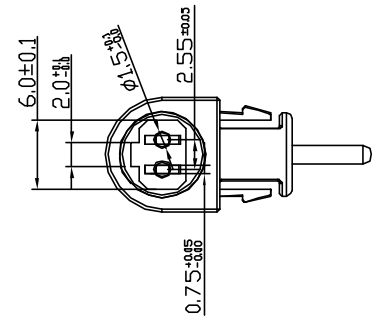
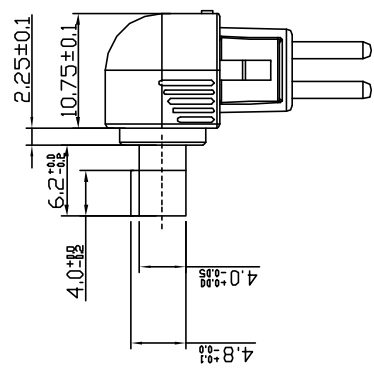


Drawing No.	EDV No.	φB	φA	C
10.5544.103-15	1822483	5.0	2.0	14.0



Drawing No.	EDV No.	φB	φA	C
10.5544.103-13	1822484	2.5	13.0	
10.5544.103-14	1822485	3.5	14.0	

Drawing No.	EDV No.	φB	φA	C	φD
10.5544.103-22	1822562	5.5	3.3	9.5	5



Drawing No.	EDV No.	φB	φA	C
10.5544.103-19	1822486			

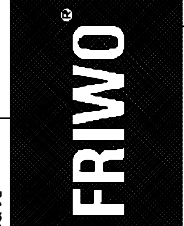
(J) **Packing:** unit = 100 pcs. in plastic bag
 with printing: coaxial plug
 (for example) φ5.5 x φ2.1 x 14
 part no.: 1822476
 quantity = 100 pcs.
 actual REV index of dwg.(J)

DETAIL A
SCALE 5:100

Drawing No.	EDV No.	φB	φA	C
10.5544.103-10	1822476	5.5	2.1	14
10.5544.103-11	1822477	5.5	2.5	9.5
10.5544.103-12	1822478	3.5	1.3	9.5
10.5544.103-16	1822479	5.5	2.1	9.5
10.5544.103-17	1822480	5.5	2.1	11.5
10.5544.103-18	1822481	5.5	2.5	11.5
10.5544.103-09	1822482	4.0	1.7	11
10.5544.103-20	1822558	4.0	1.7	9.5
10.5544.103-21	1822560	4.8	1.7	9.5

J	2005-1-1336	Wei Hua	15/05/11	Wei Hua	15/05/11	Author:	wei hua	Material:
I	2005-1-1205 <th>Wei Hua</th> <th>15/04/11</th> <th>Wei Hua</th> <th>15/04/11</th> <th>Date:</th> <td>2004/06/10</td> <td></td>	Wei Hua	15/04/11	Wei Hua	15/04/11	Date:	2004/06/10	
H	2005-1-1103 <th>Wei Hua</th> <th>05/02/11</th> <th>Wei Hua</th> <th>05/02/11</th> <th>Approved:</th> <td></td> <td></td>	Wei Hua	05/02/11	Wei Hua	05/02/11	Approved:		
G	05-0146 <th>Wei Hua</th> <th>05/02/05</th> <th>Wei Hua</th> <th>05/02/05</th> <th>Date:</th> <td></td> <td></td>	Wei Hua	05/02/05	Wei Hua	05/02/05	Date:		
F	04-2345 <th>Wei Hua</th> <th>04/02/05</th> <th>Wei Hua</th> <th>04/02/05</th> <td></td> <td></td> <td></td>	Wei Hua	04/02/05	Wei Hua	04/02/05			
E	04-2191 <th>Yonggu</th> <th>04/04/05</th> <th>Wei Hua</th> <th>04/04/05</th> <td></td> <td></td> <td></td>	Yonggu	04/04/05	Wei Hua	04/04/05			
D	04-1717 <th>Wei Hua</th> <th>04/04/05</th> <th>Wei Hua</th> <th>04/04/05</th> <td></td> <td></td> <td></td>	Wei Hua	04/04/05	Wei Hua	04/04/05			
C	04-1482 <th>Wei Hua</th> <th>04/04/05</th> <th>Wei Hua</th> <th>04/04/05</th> <td></td> <td></td> <td></td>	Wei Hua	04/04/05	Wei Hua	04/04/05			
B	04-1293 <th>Wei Hua</th> <th>04/04/05</th> <th>Wei Hua</th> <th>04/04/05</th> <td></td> <td></td> <td></td>	Wei Hua	04/04/05	Wei Hua	04/04/05			
A	04-1001 <th>Wei Hua</th> <th>04/04/05</th> <th>Wei Hua</th> <th>04/04/05</th> <td></td> <td></td> <td></td>	Wei Hua	04/04/05	Wei Hua	04/04/05			
Index	Modification	Name	Date					

Description:
 Out plug 90°
 Drawing No:
 10.5544.103-xx



Scale	2:1
Unit:	mm
SIZE:	A3
File:	

Scale	2:1
Unit:	mm
SIZE:	A3
File:	