
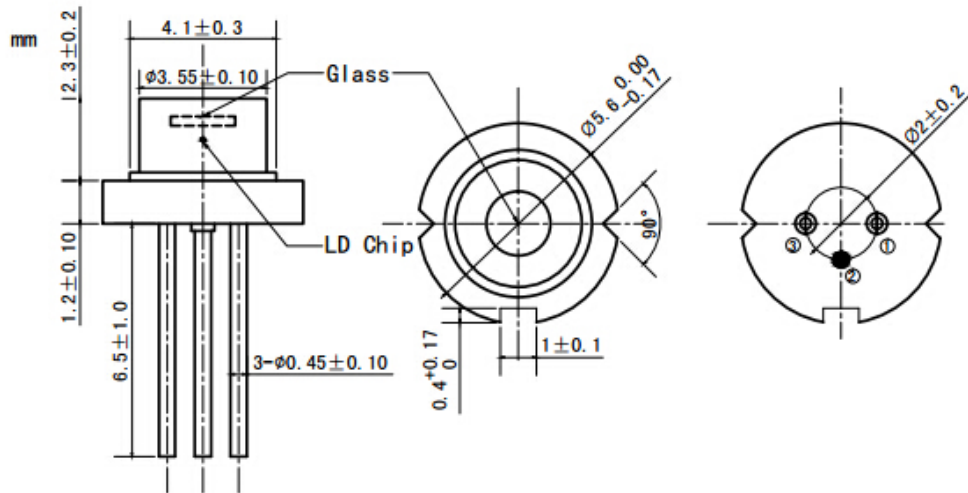


510nm 80mW Laser Diode| Single mode Green LD
510nm SM LD| 80mW Power| TO18 Package Green diode laser
WSLD-510-080m-1
Wavespectrum Laser Group.
www.wavespectrum-laser.com

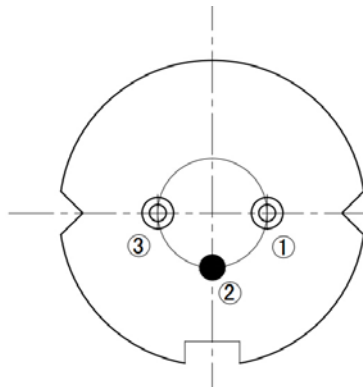
510nm Laser Diode		80mW/TO18		en.wavespectrum-laser.com.cn
PARAMETER	SYMBOL	VALUE		UNIT
Reverse Voltage	V_r	2.0		V
Operating Temperature	T_{op}	-10~+60		°C
Storage Temperature	T_{stg}	-40~+85		°C
Lead soldering temperature (5 sec.)	T_{is}	260		°C
Features: <ul style="list-style-type: none"> ● 510nm ● 80mW ● Single Mode Beam ● TO18 Package 				
Applications: <ul style="list-style-type: none"> ● Medical Laser Treatment ● Laser Indicator ● Laser Detector 				
Specifications		WSLD-510-080m-1		
		Min	Type	Max
Center Wavelength@25°C		510nm±10nm		
Spectral Width (FWHM)		2.0nm		
Output Power		----	80mW	----
Recommended Operating Temperature		25°C		
Beam Divergence (FWHM)		----	$25^{\circ} \pm x 10^{\circ} //$	----
Threshold Current (Typ.)		----	65mA	100mA
Operating Current (Typ.)		----	260mA	280mA
Operating Voltage		----	7.5V	8.0V
Package Style		TO18		



TO18 Package View



PIN Bottom View:



1	LD(+)
2	GND
3	LD(-)

Electrically shorten LD module and store in non-extreme conditions.
 Suggest using the constant current power supply.

