


480nm~482nm 60mW Single Mode Laser Diode| High Power Blue LD | TO18 Package

480nm LD| 60mW Power|5.6mm Package Blue SM Diode Laser

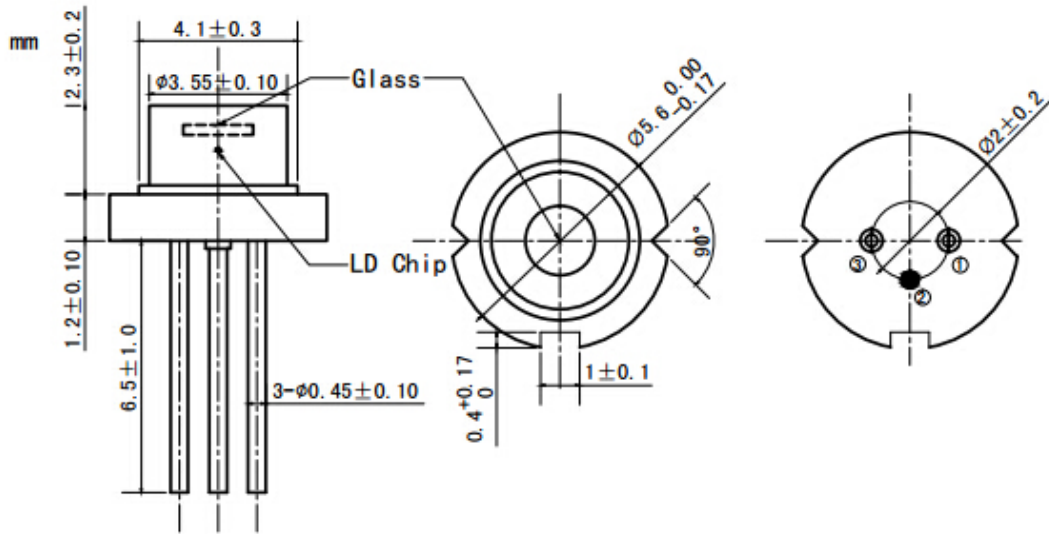
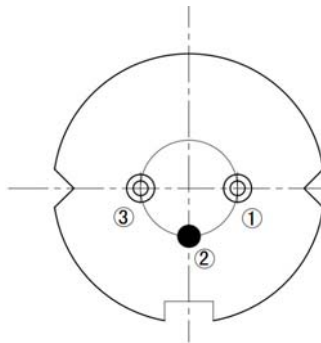
WSLD-480-060m-1

Wavespectrum Laser Group.

[www.wavespectrum-laser.com](http://www.wavespectrum-laser.com)

480nm Laser Diode		60mW/TO18		Wavespectrum Laser Group	
PARAMETER	SYMBOL	VALUE		UNIT	
Reverse Voltage	$V_r$	2.0		V	
Operating Temperature	$T_{op}$	-10~+60		°C	
Storage Temperature	$T_{stg}$	-40~+85		°C	
Lead soldering temperature (10 sec.)	$T_{is}$	260		°C	
<b>Features:</b> <ul style="list-style-type: none"> <li>● 480nm</li> <li>● 60mW</li> <li>● TO18 Package</li> </ul>					
<b>Applications:</b> <ul style="list-style-type: none"> <li>● Medical Laser Treatment</li> <li>● Laser Indicator</li> <li>● Laser Detector</li> </ul>					
<b>Specifications</b>		<b>WSLD-480-060m-1</b>			
		Min	Type	Max	
Center Wavelength@25°C		480nm±5nm			
Spectral Width (FWHM)		2.0nm			
Output Power		----	60mW	----	
Laser Mode		Single Mode			
Beam Divergence (FWHM)		----	$24^{\circ} \pm x 8^{\circ} //$	$26^{\circ} \pm x 12^{\circ} //$	
Threshold Current (Typ.)		----	30mA	60mA	
Operating Current (Typ.)		----	115mA	130mA	
Operating Voltage		----	6.5V	8.0V	
Recommended Operating Temperature		25°C			
Package Style		TO18			



**PIN Bottom View:**

**PIN Bottom View:**


1	LD(+)
2	GND
3	LD(-)

Electrically shorten LD module and store in non-extreme conditions.

Suggest using the constant current power supply.

