

MESSRS. : _____

AGENT : _____


SPECIFICATION of Optical Lens

MODEL NO. : NCL-7

 **NIPPON CERAMIC CO., LTD.**

176-17 Hirooka, Tottori-shi, 689-1193 JAPAN
TEL: +81-857-53-4666 FAX: +81-857-53-3532

Approved by	Checked by	Prepared by

MODEL NO. : NCL-7	DRAWING NO. :	REV : A	PAGE 1 / 6	 NIPPON CERAMIC CO., LTD.
PART NO. :				

1. Scope

This specification describes a optical lens which is used for passive infrared detector.

2. Type of Lens

2.1. Type Name: Spherical shape optical lens

2.2. Model No.: NCL-7

3. Dimensions

See Figure 1.

4. Material

High Density Polyethylene (HDPE)

5. Color

White

6. Optical Characteristics**6.1. Number of Zones**

10 zones

6.2. Sensing Element Position

See Figure 2.

6.3. Detection Area

See Figure 3.

7. Environmental Characteristics**7.1. Operating Temperature**

-20 °C ~ +70 °C

7.2. Storage Temperature

-25 °C ~ +75 °C


7.3. Operating humidity

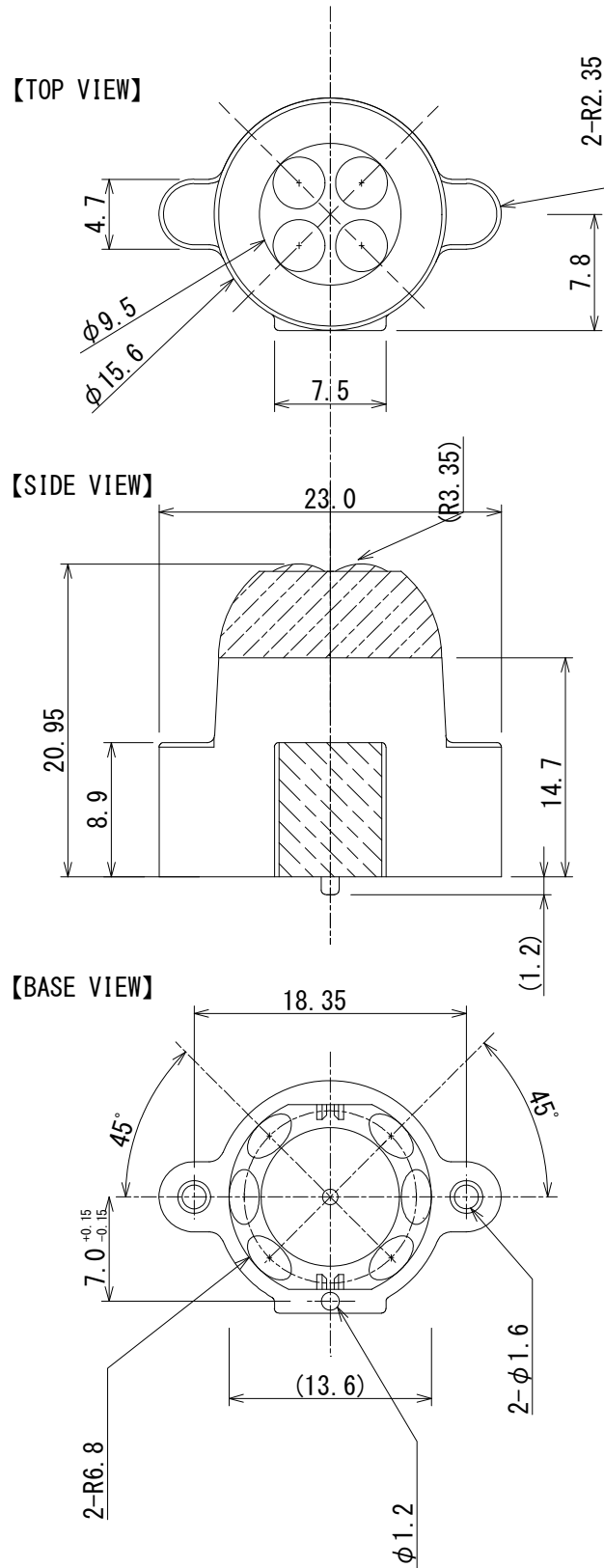
95%RH or less(30 °C)

7.4. Storage humidity

95%RH or less(30 °C)

* Please avoid using the lens in direct sunshine conditions because it may cause degradation of the transmittivity.

MODEL NO. : NCL-7	DRAWING NO. :	REV : A	PAGE 2 / 6	 NIPPON CERAMIC CO., LTD.
PART NO. :				

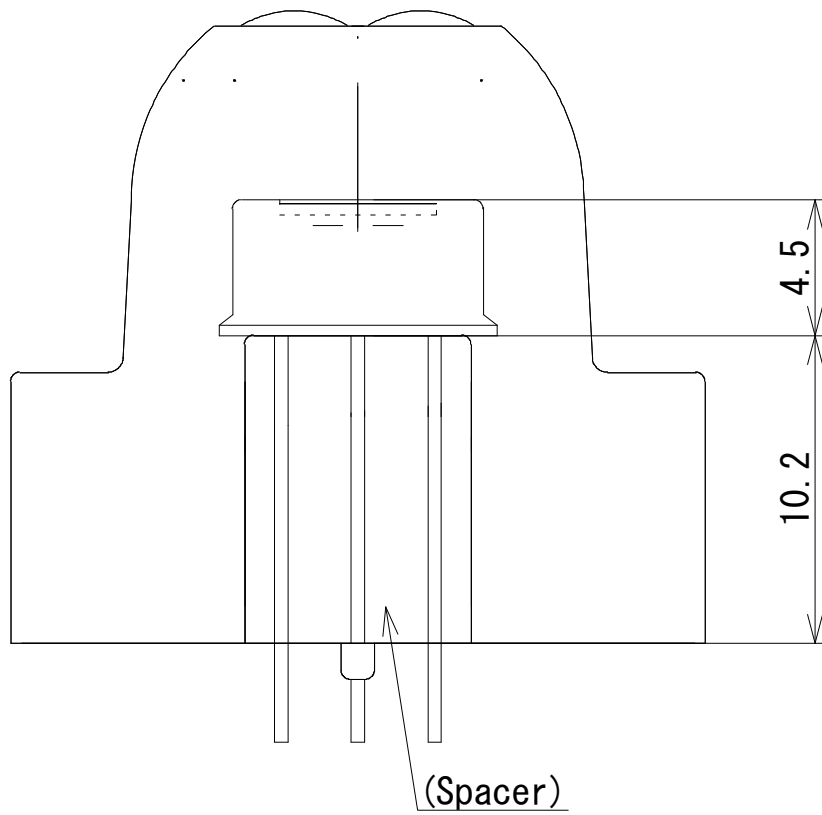


Tolerance without instruction : (+/-) 0.2
Unit [mm]

Figure 1: Dimensions

MODEL NO. : NCL-7	DRAWING NO. :	REV : A	PAGE 3 / 6	
PART NO. :				

(*) Case of DUAL type.

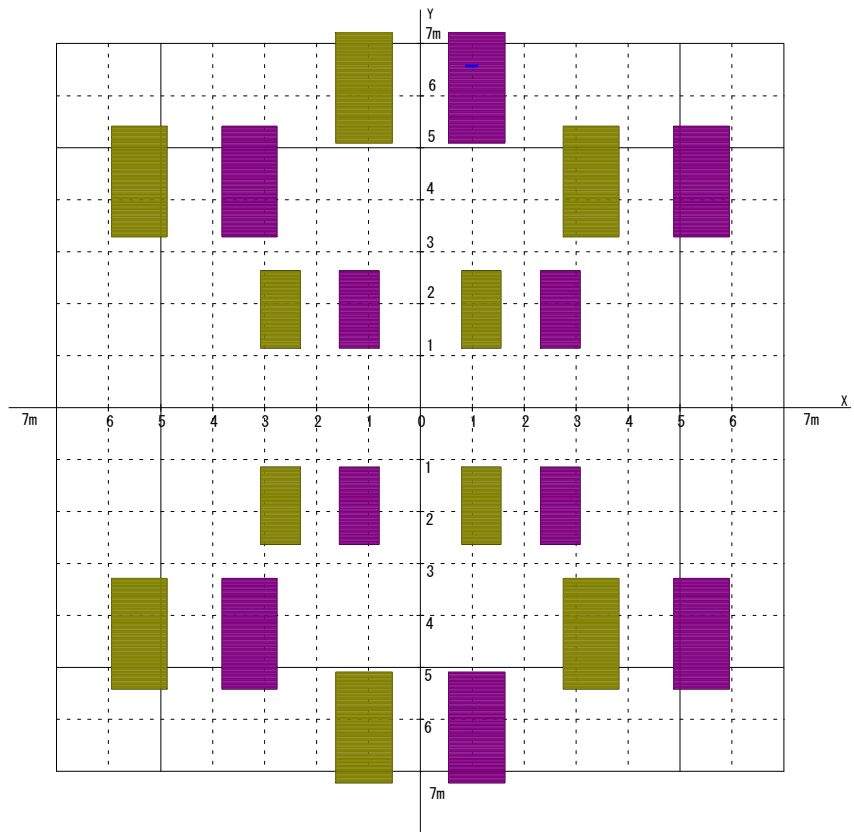
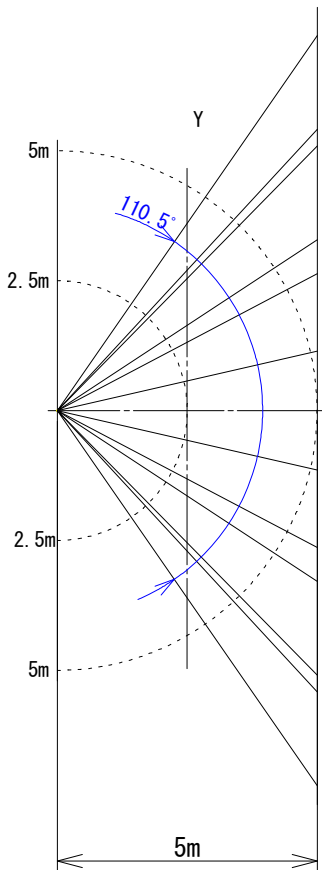
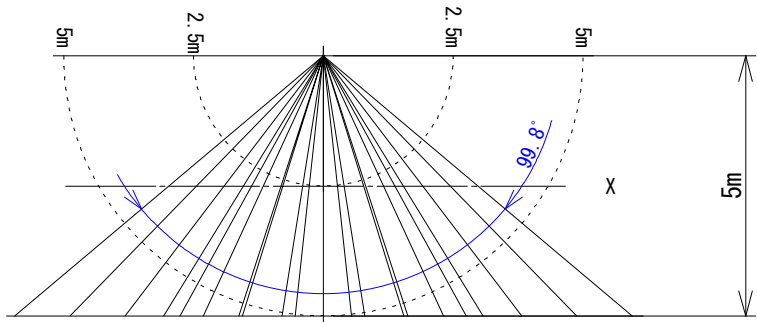
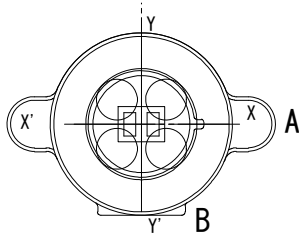


Unit [mm]

Figure 2: Sensing element position

MODEL NO. : NCL-7	DRAWING NO. :	REV : A	PAGE 4 / 6	
PART NO. :				

Sensor : Dual element
 Sensor Tab : A



Distance : 5.0 m

[Traverse Plane]

Unit [m]

※ Measured with Nicera Standard 72.5dB amplifier when human body with 4 degrees C of temperature difference to environment moves at 1m/sec speed.

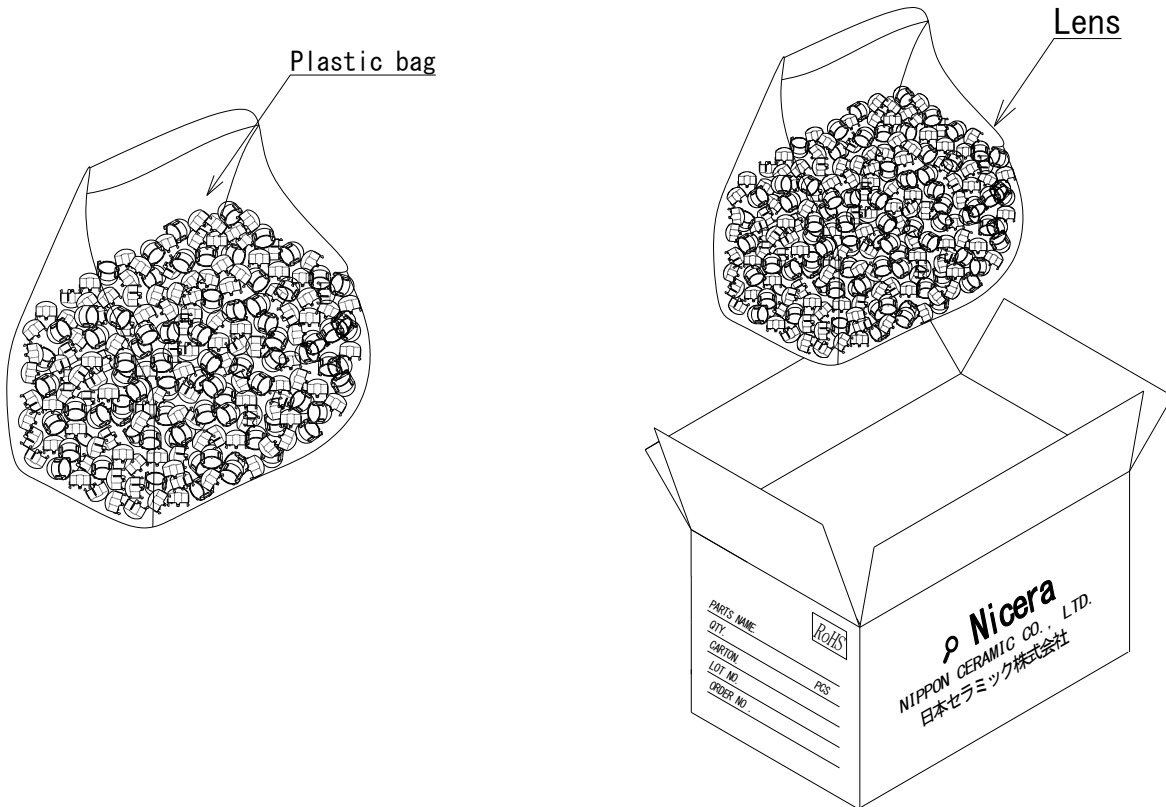
Figure 3: Detection Area (with Dual Element PIR)

MODEL NO. : NCL-7	DRAWING NO. :	REV : A	PAGE 5 / 6	
PART NO. :				

Packing Specification

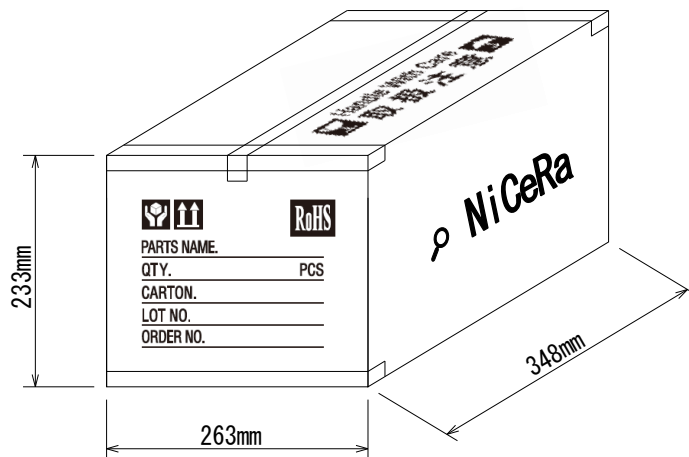
The products are put into a plastic bag, and the plastic bags are packed in an inner box.


1. Standard Package Quantity : 3,000pcs.
2. Product arrangement : 3,000 pcs. / plastic bag
3. Packing : 1 bag × 3,000 pcs. / 3,000 pcs.



4. Packing in a box

The outer box is sealed with stick tape.



MODEL NO. : NCL-7	DRAWING NO. :	REV : A	PAGE 6 / 6	
PART NO. :				