

MESSRS. : _____

AGENT : _____


SPECIFICATION of Optical Lens

MODEL NO. : NCL-10R

 **NIPPON CERAMIC CO., LTD.**

176-17 Hirooka, Tottori-shi, 689-1193 JAPAN
TEL: +81-857-53-4666 FAX: +81-857-53-3532

Approved by	Checked by	Prepared by

MODEL NO. : NCL-10R	DRAWING NO. :	REV : A	PAGE 1 / 6	 NIPPON CERAMIC CO., LTD.
PART NO. :				

1. Scope

This specification describes a optical lens which is used for passive infrared detector.

2. Type of Lens

2.1. Type Name: Spherical shape optical lens

2.2. Model No.: NCL-10R

3. Dimensions

See Figure 1.

4. Material

High Density Polyethylene (HDPE)

5. Color

Natural

6. Optical Characteristics**6.1. Number of Segments**

7 Segments

6.2. Detection Area

See Figure 2.


7. Environmental Characteristics**7.1. Operating Temperature**

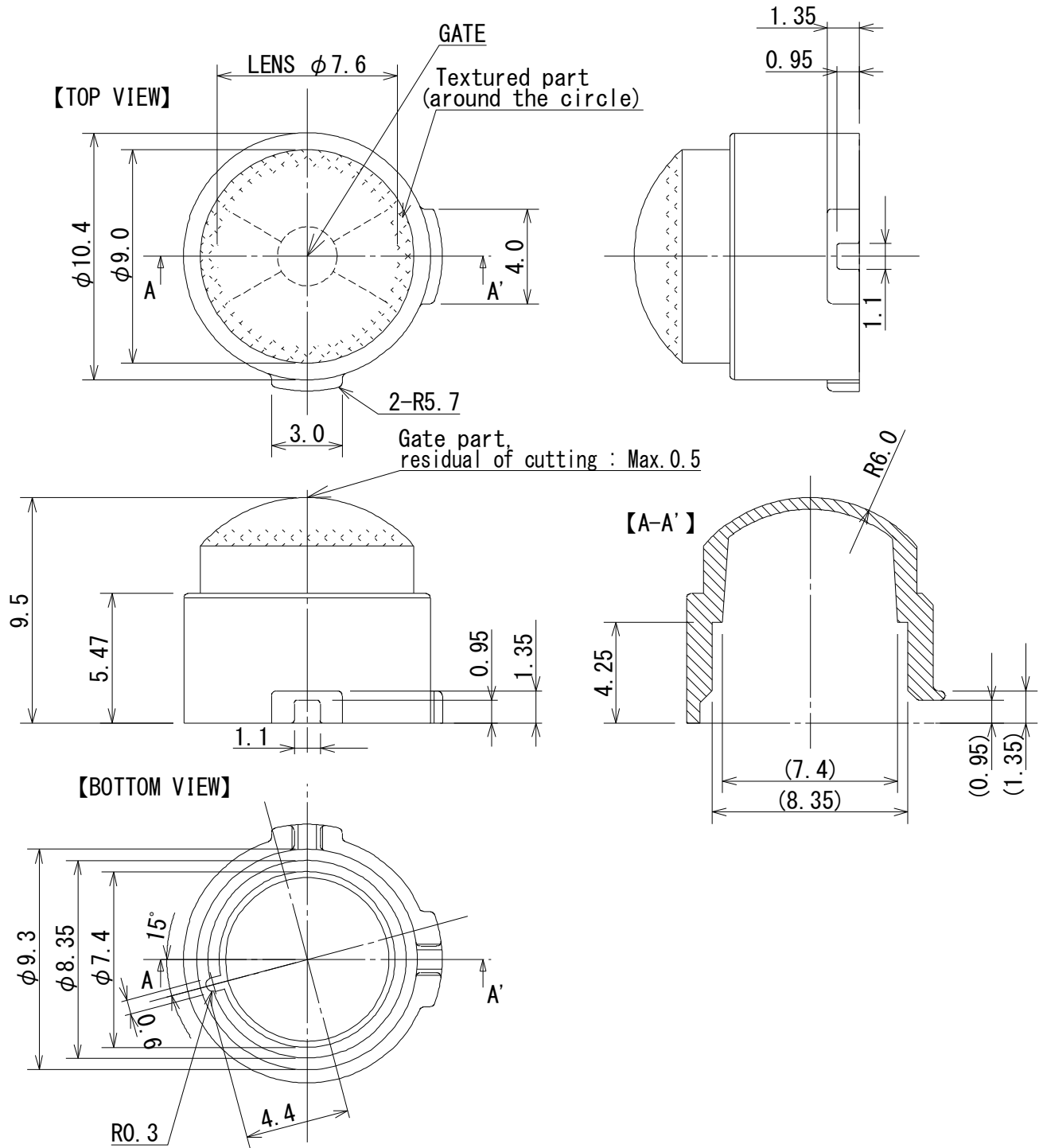
-20 °C ~ +70 °C

7.2. Storage Temperature

-25 °C ~ +75 °C

* Please avoid using the lens in direct sunshine conditions because it may cause degradation of the transmittivity.

MODEL NO. : NCL-10R	DRAWING NO. :	REV : A	PAGE 2 / 6	
PART NO. :				

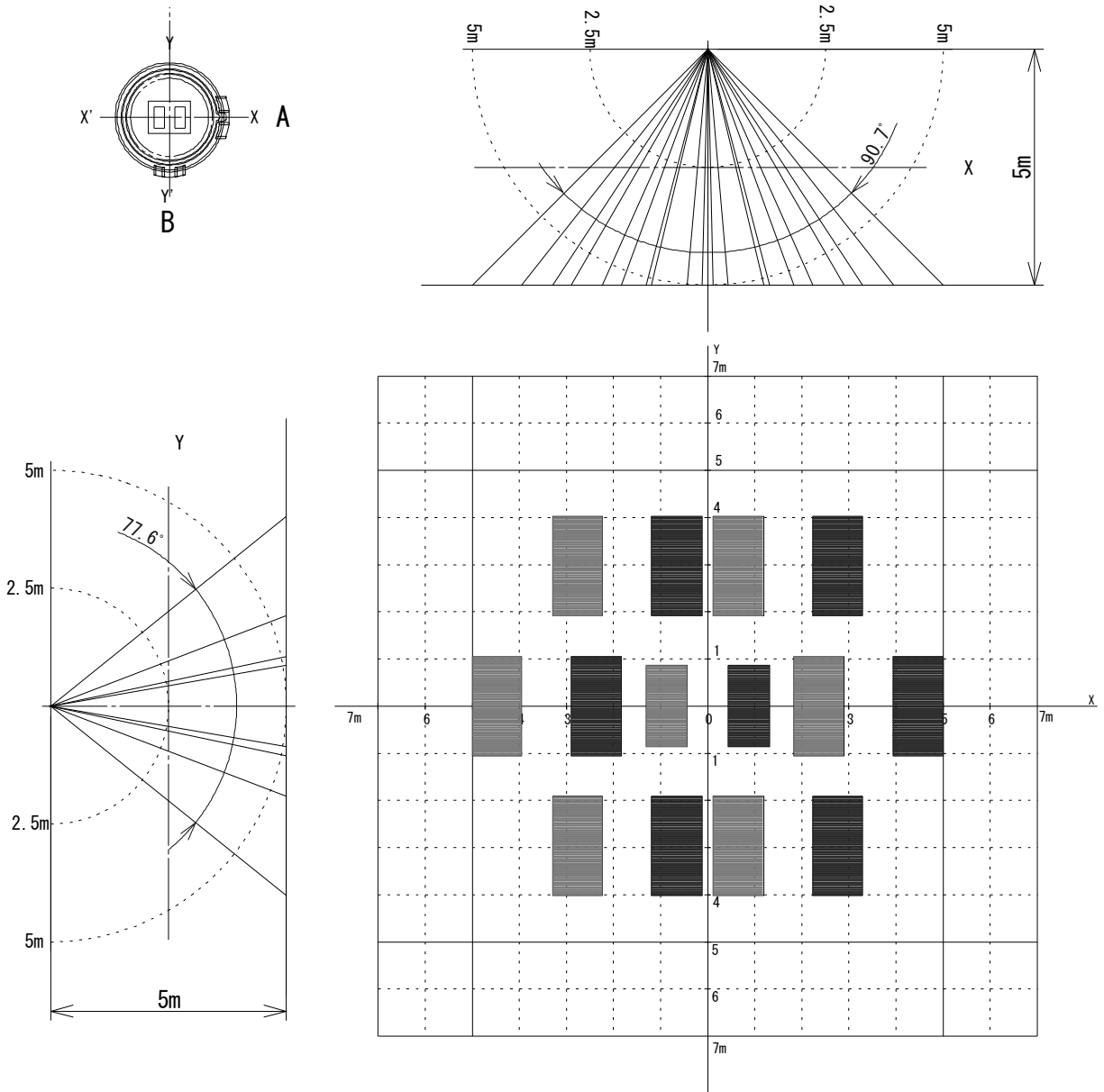


Tolerance without instruction : (+/-) 0.2
Unit [mm]

Figure 1: Dimensions

MODEL NO. : NCL-10R	DRAWING NO. :	REV : A	PAGE 3 / 6	
PART NO. :				

Sensor : Dual element
 Sensor Tab : A



Distance : 5.0 m
 [Traverse Plane]

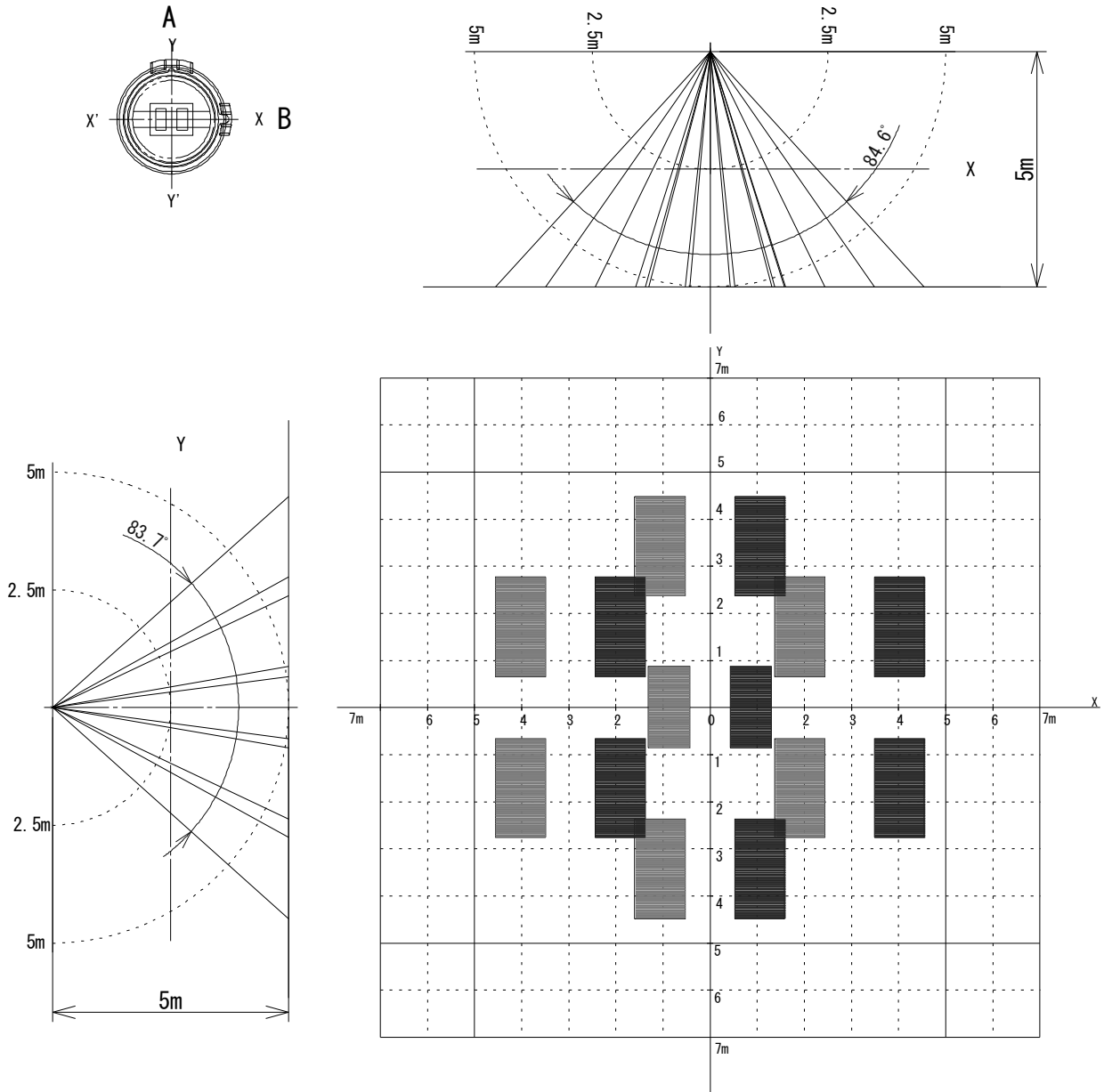
Unit [m]

※ Measured with Nicera Standard 72.5dB amplifier when human body with 4 degrees C of temperature difference to environment moves at 1m/sec speed.

Figure 2A: Detection Area (with Dual Element PIR)

MODEL NO. : NCL-10R	DRAWING NO. :	REV : A	PAGE 4 / 6	
PART NO. :				

Sensor: Dual element
 Sensor Tab: B



Distance : 5.0 m
 [Traverse Plane]

Unit [m]

※ Measured with Nicera Standard 72.5dB amplifier when human body with 4 degrees C of temperature difference to environment moves at 1m/sec speed.

Figure 2B: Detection Area (with Dual Element PIR)

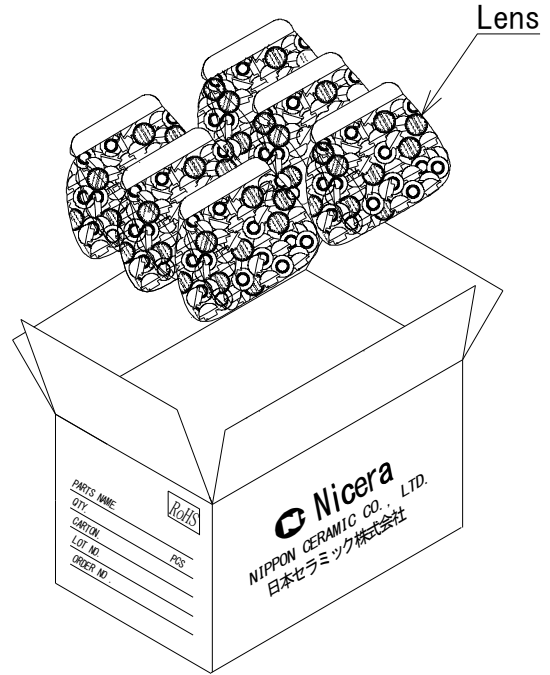
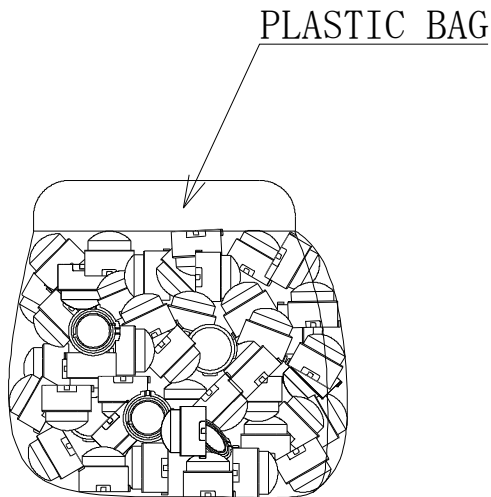
MODEL NO. : NCL-10R	DRAWING NO. :	REV : A	PAGE 5 / 6	
PART NO. :				

Packing Specification

The products are put into a plastic bag, and the plastic bags are packed in an inner box.

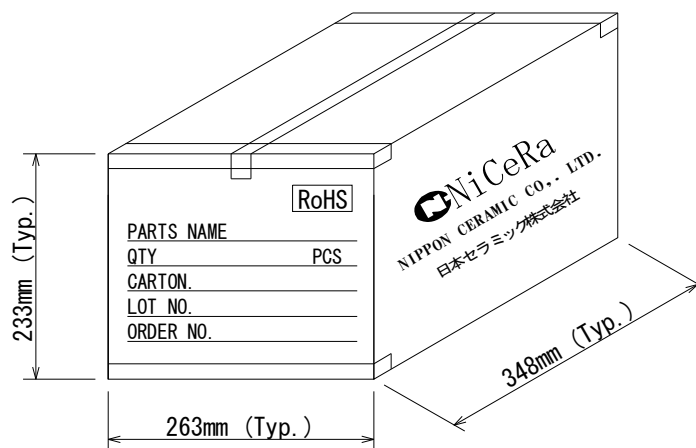
1. Product arrangement
2,000 pcs. / plastic bag

2. Packing
6 bags × 2,000 pcs. / 12,000 pcs.




3. Packing in a box

The outer box is sealed with stick tape.



4. Standard Package Quantity : 12,000pcs.

MODEL NO. : NCL-10R	DRAWING NO. :	REV : A	PAGE 6 / 6	
PART NO. :				