

MPM4150 Pressure Transmitter

Introduction

MPM 4150 pressure transmitter is a brand new OEM customized product with excellent performance and quality. It is manufactured on fully automatic production line to make sure product stable and reliable. We can also provide customized pressure ports for different complex applications, to satisfy customer's requirements with the product good adaptability.

Specification

Item	Parameters
Pressure range	0bar ~ 7bar...35bar
Overload	1.5×FS
Supply range	8V ~ 28V DC
Signal output	4mA ~ 20mA DC (Two-wire)
Operation temp.	-20°C ~85°C
Non-linearity	±0.5%
Storage temp.	-20°C ~105°C
Stability	≤±0.5%FS/Year
Relative Humidity	0%~90%
Shock	10g, 55Hz~2000Hz
Vibration	100g,11ms
Insulation resistance	10MΩ@500VDC
Protection	IP65
Media Compatibility	Al ₂ O ₃ Viton,Stainless Ste304

1. Accuracy class of the pressure transmitter conforms to the standard of JJG 882-2004 Pressure Transmitter Calibration and Inspection Regulation;
2. It is not accumulated within one year.



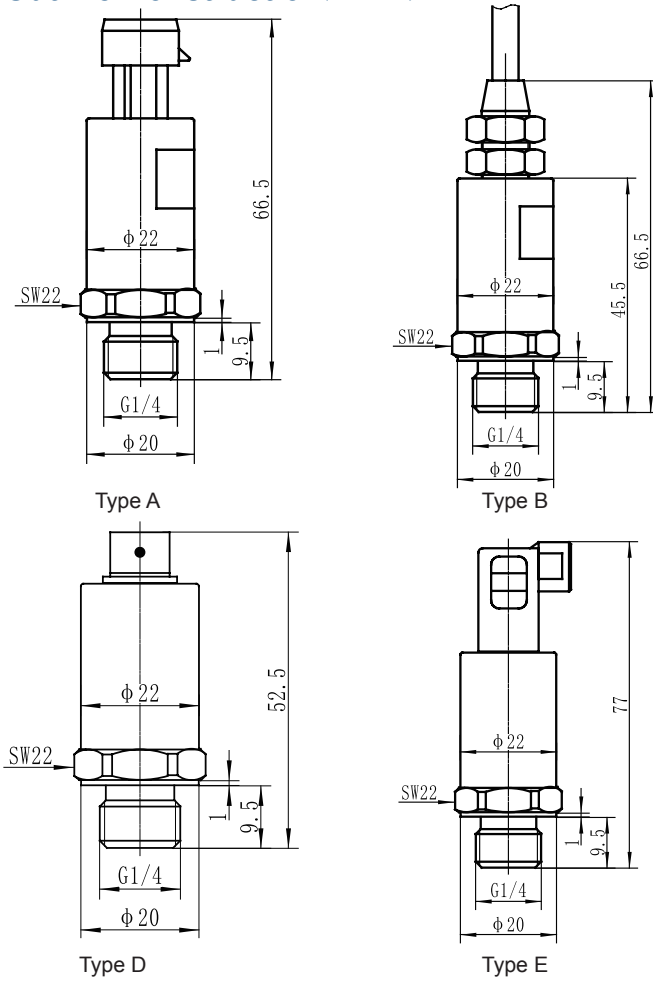
Features

- Compact size, nice shape
- Various media measurement
- Impact and shock resistance, equipment matching
- Automatic production line to ensure quality stable and reliable
- Cost efficient, customized OEM available

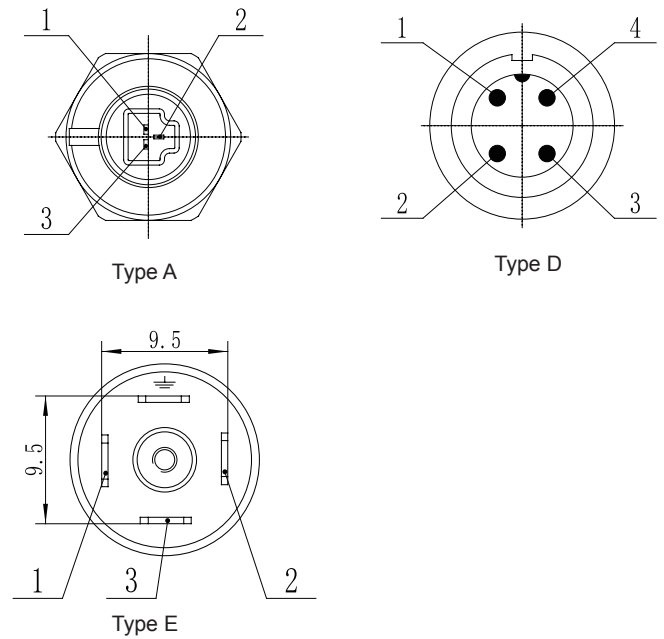
Application

- Pump and compressor
- Refrigerating system
- Automatic testing system
- Equipment matching
- Pneumatic system

Outline Construction (Unit:mm)



Electrical Connection



Plug or Wiring Color				Electrical Definition (Two-wire)
Type A	Type B	Type D	Type E	
1	Black	1	1	+V
2	Red	2	2	GND/+OUT

Order Guide

MPM4150		Pressure Transmitter			
	Range	0bar ~ 7bar...35bar			
	[0~X]bar	X= Actual measurement range			
	Code	Output Signal			
	E	4mA~20mA DC			
	Code	Others			
	A	Park Plug Connection			
	B	Cable Connection			
	D	Aviation Plug Connection			
	E	Solenoid Valve Connector			
	Code	Pressure Port			
	C ₂	G 1/4 male			
	C ₆	NPT 1/4 male			
	C ₁₅	R 1/4 male			
MPM4150	[0~1]bar	E	B	C ₂	Whole Specs

Notes

1. Please note that the media should be compatible with the contacting material of transmitter;
2. The default wire length of Type B products is 1 meter;
3. Please note it in the order if you need customized pressure port;
4. If the user has special requirements for transmitter specification or function, please feel free to contact us.