

Pyroelectric IR sensor

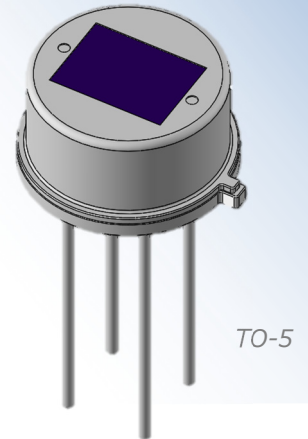


D3-323-AA

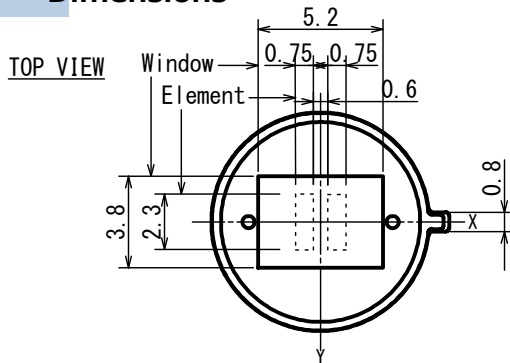
D-Pyro™

- Applications Doorbell, IP Camera, HVAC
Home appliances, Security

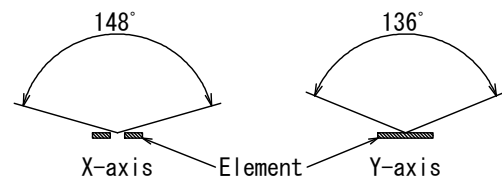
- Feature Wide-angle detection dual sensor
ASIC build-in type
(UART·ON/OFF output type)



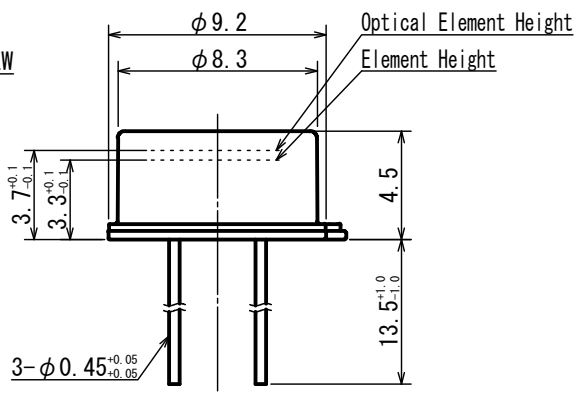
Dimensions



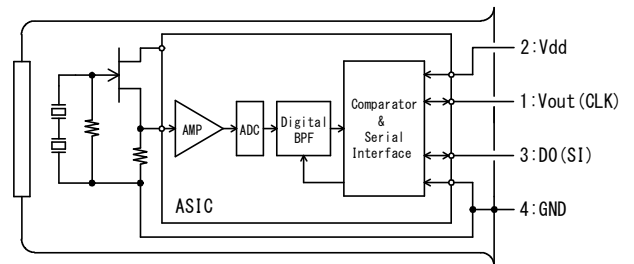
FOV



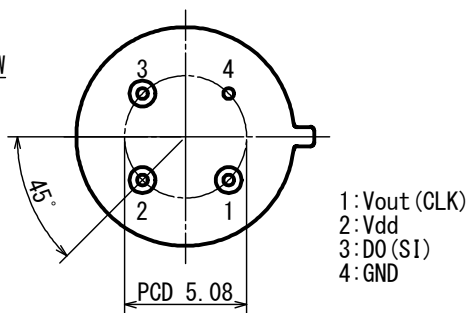
SIDE VIEW



Circuit diagram



BOTTOM VIEW



Tolerance with no specified : +/- 0.2

■ Main Parameter

Parameter	Condition	Spec.			Unit
		Min.	Typ.	Max.	
Operating Voltage		1.8		5.5	V
Supply Current	Vdd=3.0V		3	5	μA
Signal Output Bit Number			12		bit
Baud Rate			20		kbps
Operating Temperature		-40		80	°C