

## LED MODULE 2X2 MX

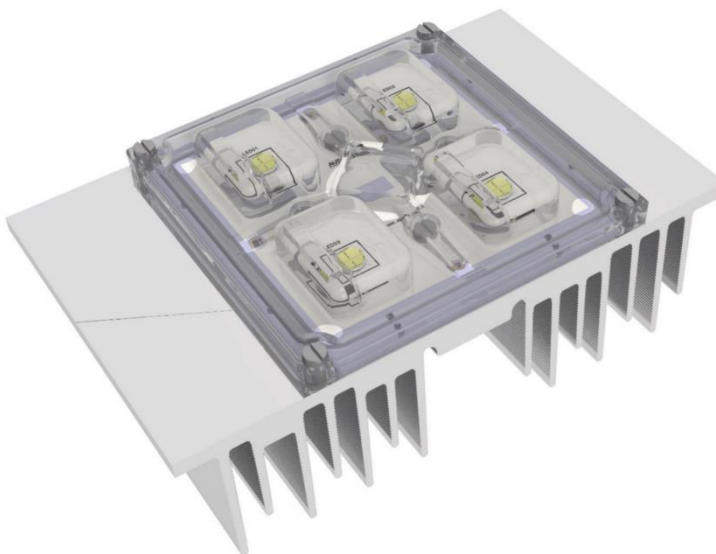
Issue Date	Jul - 2017
Issued by	Wilbur C.

### Applications

- Highbay
- Street Light
- Gas station
- Projectors
- Decorative Poles

### Characteristics

- Module Efficacy – up to 158 lm/W
- L70 > 50.000 hours
- CRI > 80 (Typ.85)
- 03 SDCM
- CCTs 3.000K / 4.000K / 5.000K
- 05 years warranty



### DRIVE CURRENTS

Parameter	Nominal	Max
Led Module 2x2 MX	700 mA	1.050 mA

### MODULE TEMPERATURES

Parameter	Nominal	Max
Tc (case temperature at Tc point)	60 °C	85 °C

### PRODUCT PART NUMBER

ANGLE	2.700 K	4.000 K	5.000 K
78°	80098600100	80098700100	80098800100
50°	80098900100	80099000100	80099100100
24°	80099200100	80099300100	80099400100
137°	80099500100	80099600100	80099700100
Asymmetric Street	80099800100	80099900100	80100000100

### TECHNICAL INFORMATION

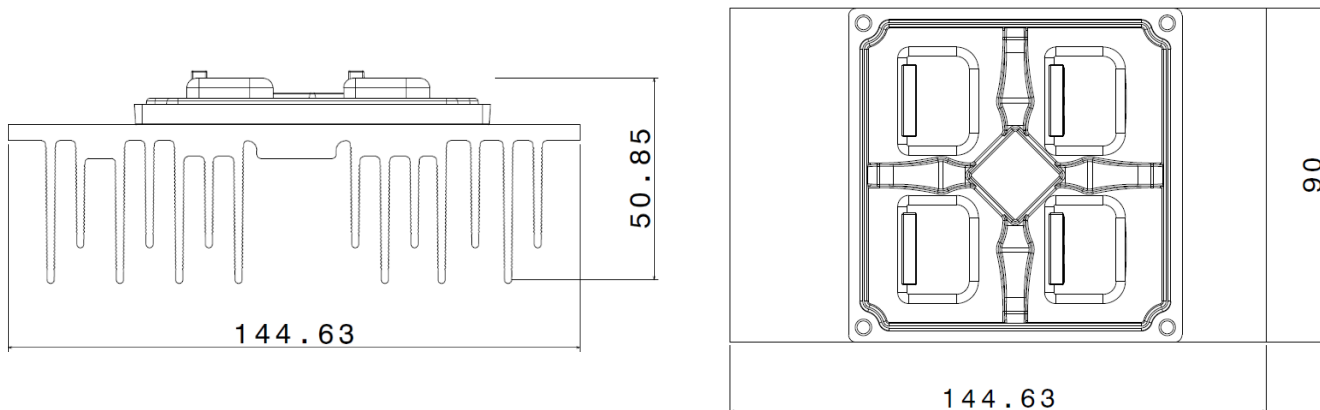
CCT	LED Driver Current (mA)	# LEDs	Luminous Flux (lm)*	Forward Voltage (V)	LED Forward Current (mA)	TC (°C)	Power (W)	Efficacy (lm/W)*
2.700 K	700	4	3.933	45,7	700	60	30,0	131
2.700 K	1.050	4	5.549	47,2	1.050	60	49,5	112
4.000 K	700	4	4.269	45,7	700	60	30,0	142
4.000 K	1.050	4	6.023	47,2	1.050	60	49,5	122
5.000 K	700	4	4.360	45,7	700	60	30,0	145
5.000 K	1.050	4	6.127	47,2	1.050	60	49,5	124

## LED TYPE

Manufacturer: Nichia Corporation

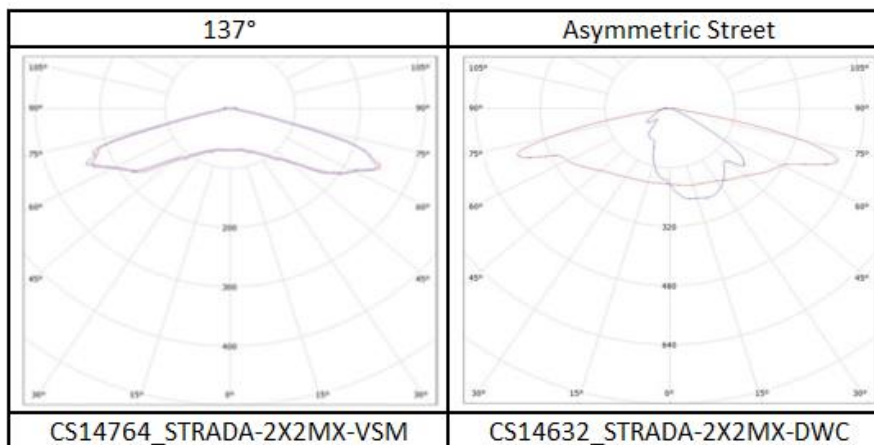
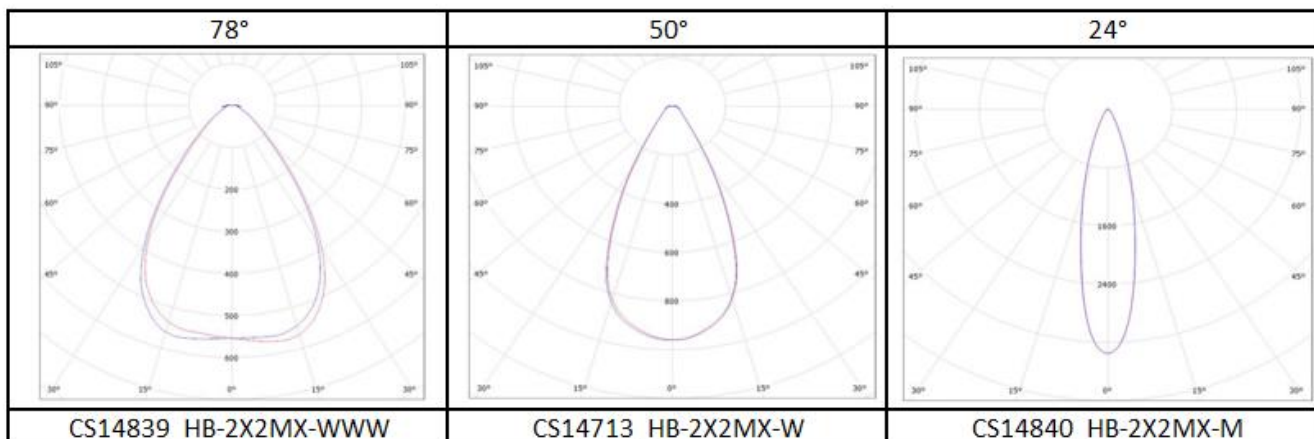
LED Series: 144

## MECHANICAL DRAWING



Unit: mm

## COMPATIBLE OPTICS



**WIRING**

<b>Specification item</b>	<b>Value</b>	<b>Unit</b>	<b>Condition</b>
Input wire cross- section	0.25...0.75 18...24	mm <sup>2</sup> AWG	Solid wire
Input wire strip length	7.5...8.5	mm	Solid wire
Input wire cross-section	0.33...0.5 20...22	mm <sup>2</sup> AWG	Stranded wire
Input wire strip length	7.5...8.5	mm	Stranded wire