

## LED MODULE 2X6 IP DMC

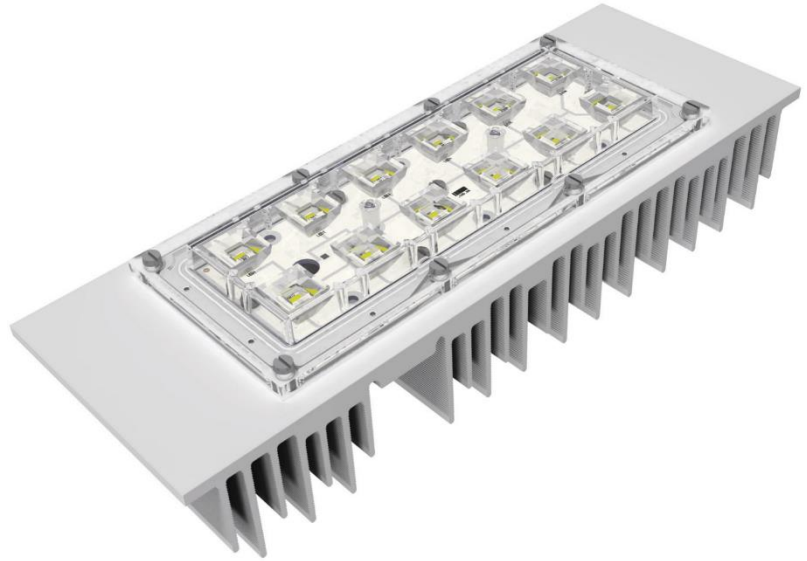
Issue Date	Jul - 2017
Issued by	Wilbur C.

### Applications

- Highbay
- Street Light
- Gas station
- Projectors
- Decorative Poles

### Characteristics

- Module Efficacy – up to 158 lm/W
- L70 > 50.000 hours
- CRI > 80 (Typ.85)
- 03 SDCM
- CCTs 2.700K / 4.000K / 5.000K
- 05 years warranty



### DRIVE CURRENTS

Parameter	Nominal	Max
Led Module 2X6 IP DMC	700 mA	1.250 mA

### MODULE TEMPERATURES

Parameter	Nominal	Max
Tc (case temperature at Tc point)	60 °C	85 °C

### PRODUCT PART NUMBER

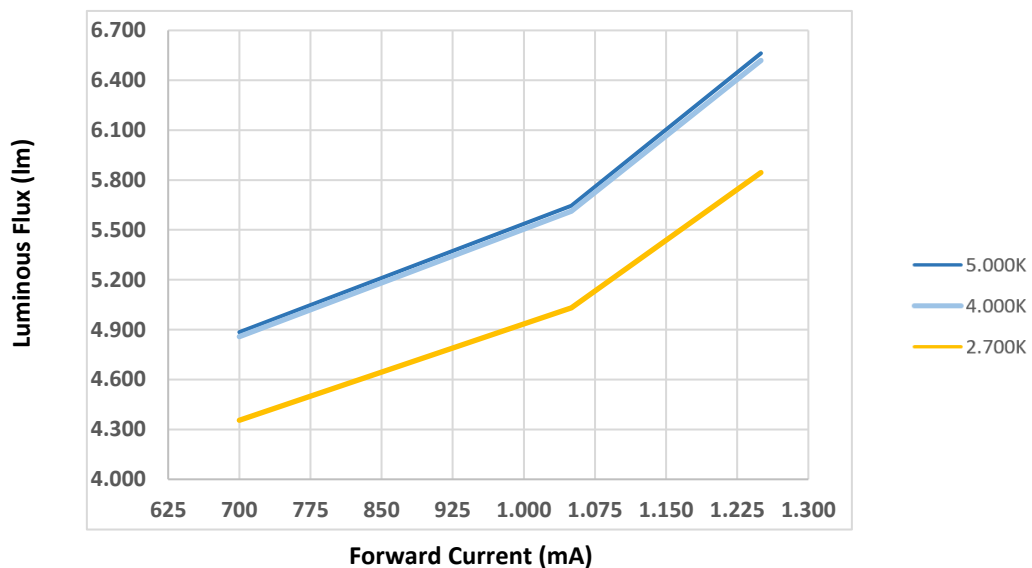
ANGLE	2.700 K	4.000 K	5.000 K
85°	80103800100	80103900100	80104000100
51°	80104100100	80104200100	80104300100
13°	80104400100	80104500100	80104600100
24°	80104700100	80104800100	80104900100
26 + 116°	80105000100	80105100100	80105200100

## TECHNICAL INFORMATION

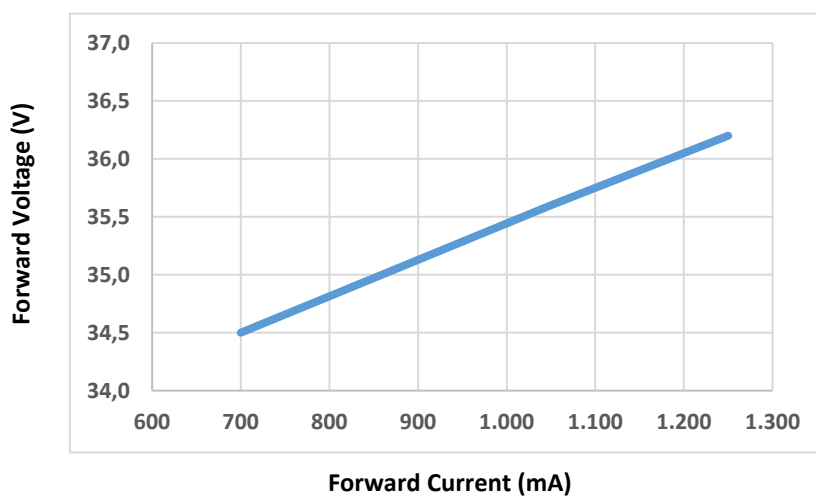
CCT	LED Driver Current (mA)	# LEDs	Luminous Flux (lm)*	Forward Voltage (V)	LED Forward Current (mA)	TC (°C)	Power (W)	Efficacy (lm/W)*
2.700 K	700	12	4.355	34,5	1.050	60	24,2	180
2.700 K	1.050	12	5.032	35,6	1.250	60	37,4	135
2.700 K	1.025	12	5.845	36,2	1.500	60	45,2	129
4.000 K	700	12	4.858	34,5	1.050	60	24,2	201
4.000 K	1.050	12	5.612	35,6	1.250	60	37,4	150
4.000 K	1.025	12	6.519	36,2	1.500	60	45,2	144
5.000 K	700	12	4.885	34,5	1.050	60	24,2	202
5.000 K	1.050	12	5.646	35,6	1.250	60	37,4	151
5.000 K	1.025	12	6.562	36,2	1.500	60	45,2	145

## TECHNICAL GRAPHS

Luminous Flux (lm) x Forward Current (mA) (TC 60°C)



Forward Voltage (V) x Forward Current (mA) (TC 60°C)

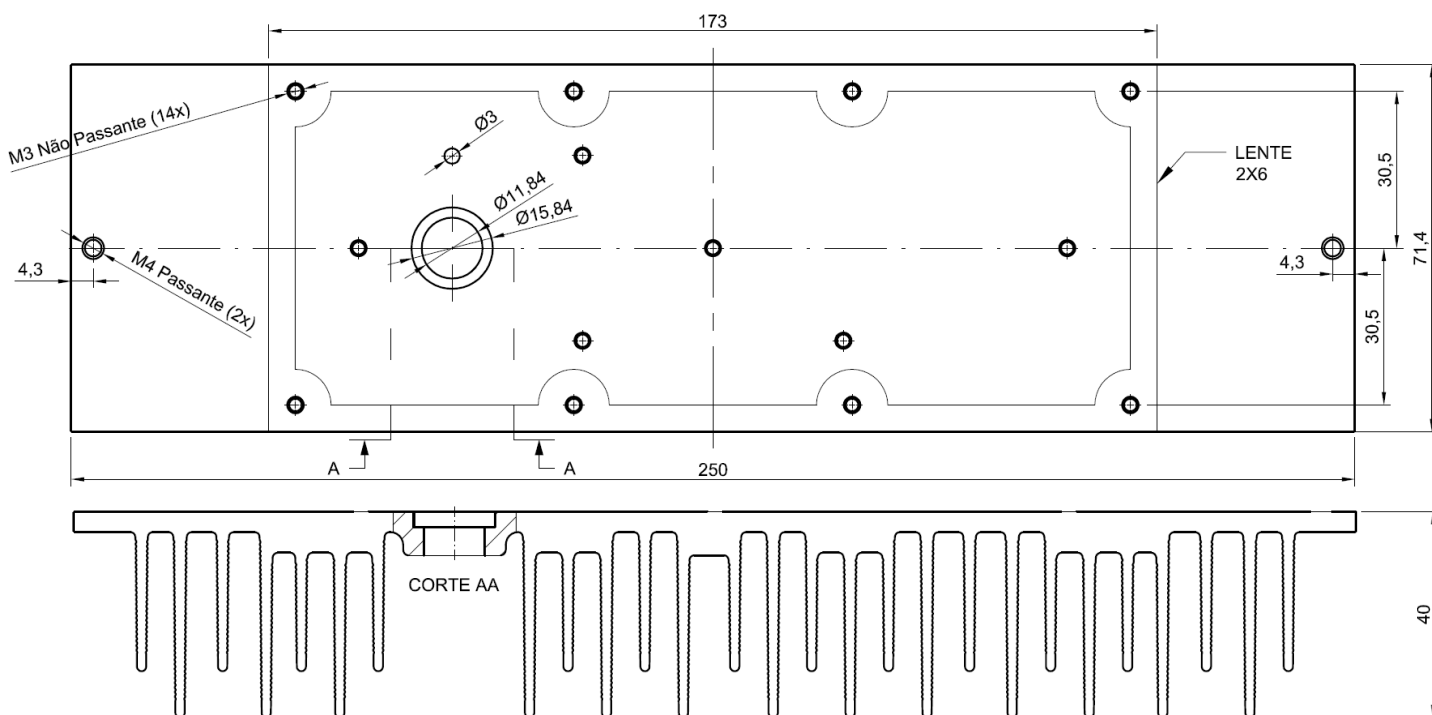


## LED TYPE

Manufacturer: Nichia Corporation

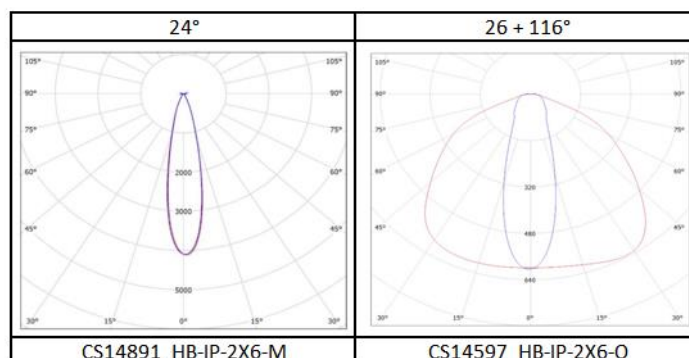
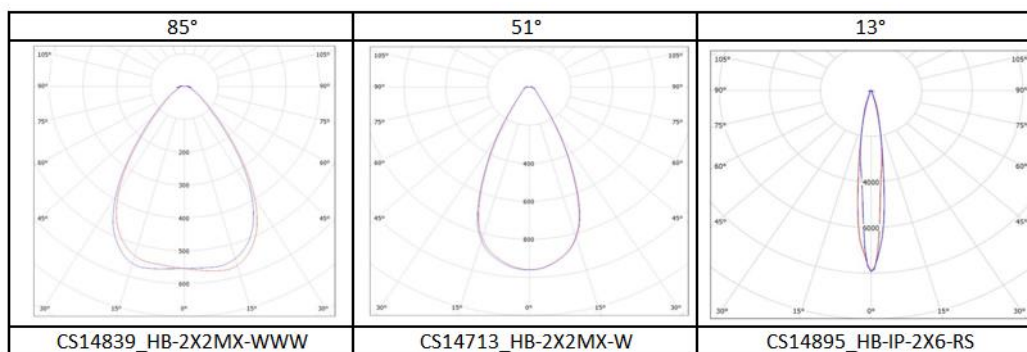
LED Series: 757

## MECHANICAL DRAWING



Unit: mm

## COMPATIBLE OPTICS



**WIRING**

<b>Specification item</b>	<b>Value</b>	<b>Unit</b>	<b>Condition</b>
Input wire cross- section	0.25...0.75 18...24	mm <sup>2</sup> AWG	Solid wire
Input wire strip length	7.5...8.5	mm	Solid wire
Input wire cross-section	0.33...0.5 20...22	mm <sup>2</sup> AWG	Stranded wire
Input wire strip length	7.5...8.5	mm	Stranded wire