

Issue Date	January, 2020
Issued by	Malassise, V.

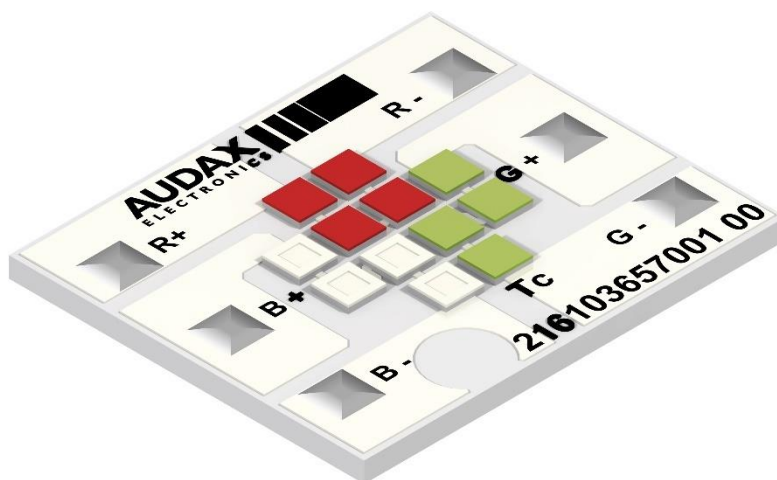
LIGHT ENGINE COB 12 LEDs RGB 19mm x 16mm

Applications

- Projectors
- Light cannons

Characteristics

- Module Efficacy – up to 76 lm/W
- L70 > 60.000 hours
- 03 SDCM
- 05 years warranty



DRIVING CURRENTS

Parameter	Nominal (by channel)	Max (per channel)
LIGHT ENGINE COB 12 LEDs RGB 19mm x 16mm	350 mA	700 mA

MODULE TEMPERATURES

Parameter	Nominal	Max
Tc (temperature at Tc point)	75 °C	95 °C

TECHNICAL INFORMATION

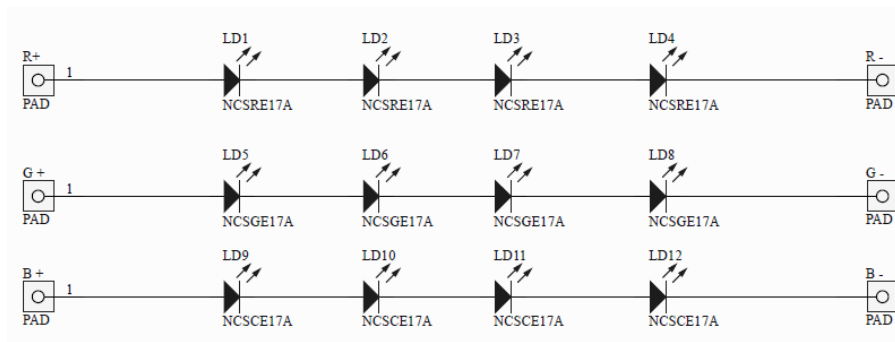
	Color	# LEDs	CCT/ Wavelength	Luminous Flux (lm)	Forward Voltage (V)	Forward Current Per LED Die (mA)	Tc (°C)	Power per Channel (W)	Efficacy (lm/W)
80242600100	Red	12	640nm	114.1	11.6	350	75	4.1	28
			640nm	197.8	12.3	700	75	8.6	23
	Green		520nm	725.3	11.6	350	75	4.1	179
			520nm	1,298.4	12.3	700	75	8.6	151
	Blue		450nm	74.2	11.6	350	75	4.1	18
			450nm	128.7	12.3	700	75	8.6	15

LED TYPE

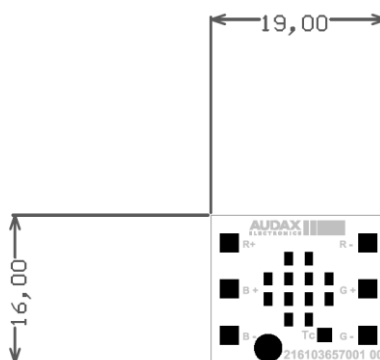
Manufacturer: NICHIA

LED Series: E17 Family

SCHEMATICS



MECHANICAL DRAWING



WIRING

Unit: mm

Specification item	Value	Unit	Condition
Input wire cross- section	0.25...0.75 18...24	mm ² AWG	Solid wire
Input wire strip length	7.5...8.5	mm	Solid wire
Input wire cross-section	0.33...0.5 20...22	mm ² AWG	Stranded wire
Input wire strip length	7.5...8.5	mm	Stranded wire