



**SMB**

### Features

- Wide operating voltage
- Low start-up voltage
- Negative temperature coefficient

### Mechanical Data

- Case: SMB, Molded Plastic
- Packing: Tape and Reel
- Flammability rating UL 94V-0
- Halogen Free
- Mounting Position: Any

### Ordering Information

Part No.	Remark	Package	Packing
ECRDxxxB	General	SMB	3000 / Tape & Reel
ECRDxxxB-H	Halogen Free		

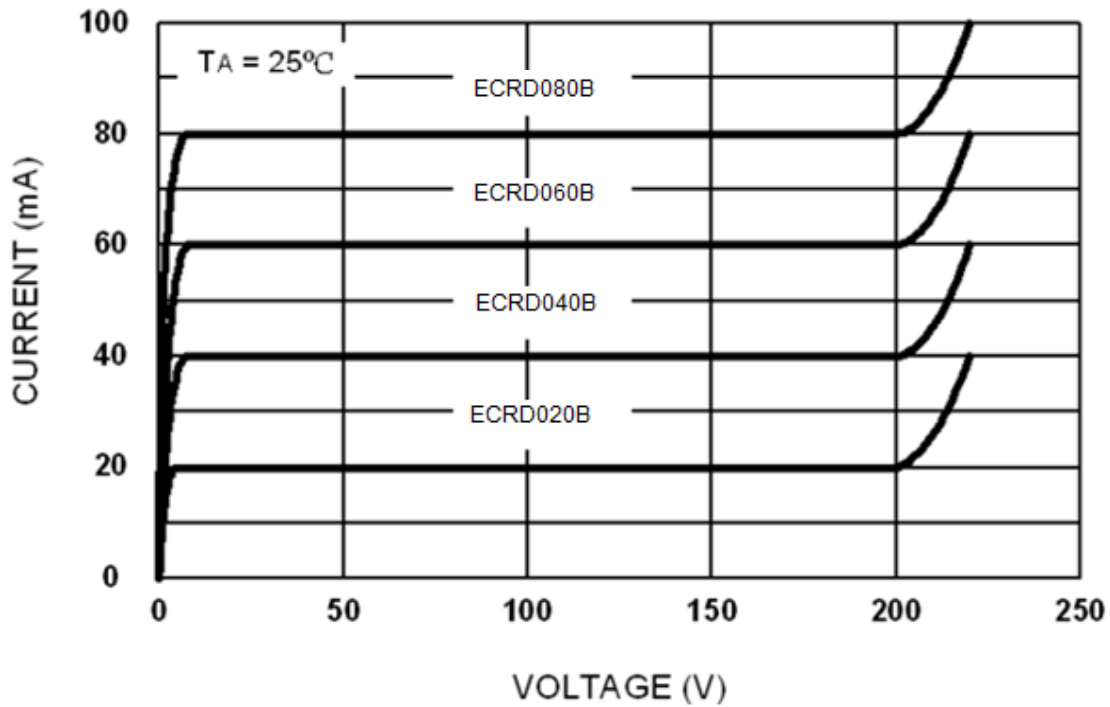
### Maximum Ratings ( $T_A=25^\circ\text{C}$ unless otherwise noted)

Part No.	Pinch-off current		Limiting current	Maximum load voltage	Power dissipation
	$I_P @ V=20\text{V}$		$V_K$	$V_B$	$P_D$
	Min	Max	$V_K @ 0.8I_{Pmin}$	$V_B @ 1.1I_{Pmax}$	Max
	[mA]	[mA]	Max [V]	[V]	[w]
ECRD020B	16	24	3.5	190	1.2
ECRD040B	36	44	6	190	1.2
ECRD060B	54	66	7	190	1.2
ECRD080B	72	88	8	190	1.2

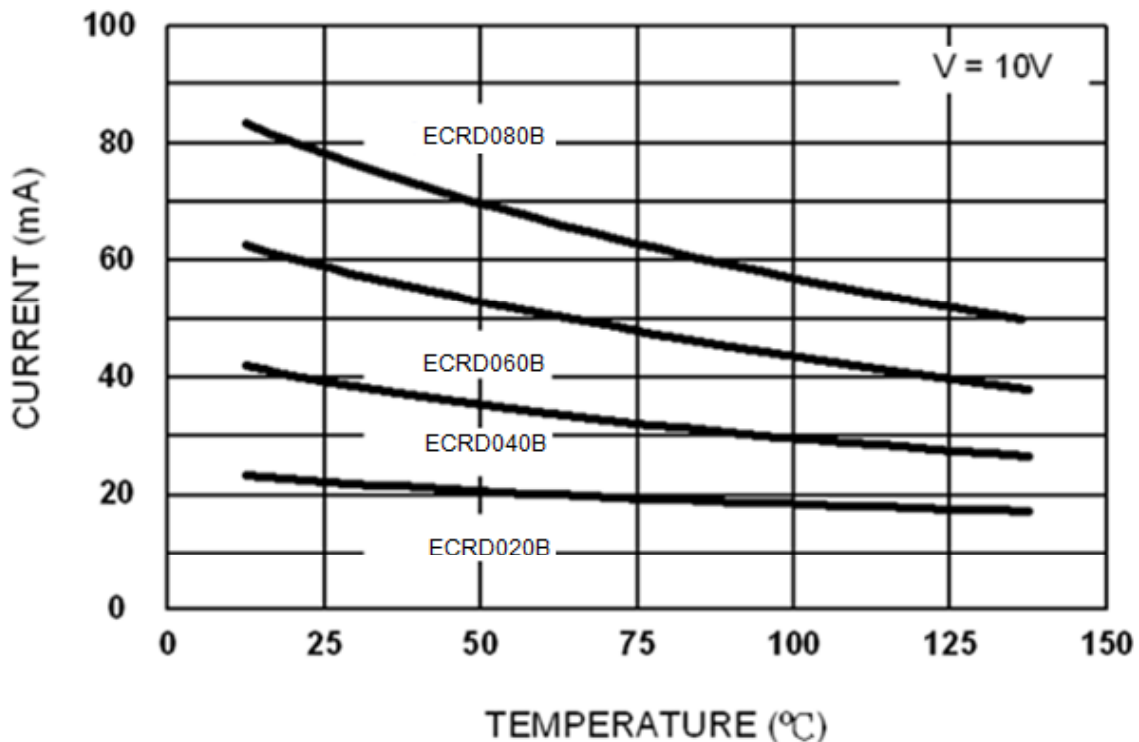


### Rating and Characteristics Curves

I-V Curve @TA=25°C

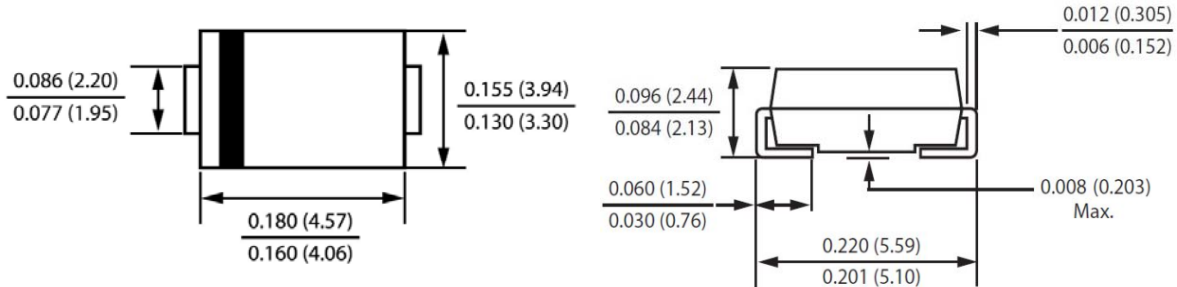


Temperature coefficient curve V=10V





**Package Outline Dimensions**

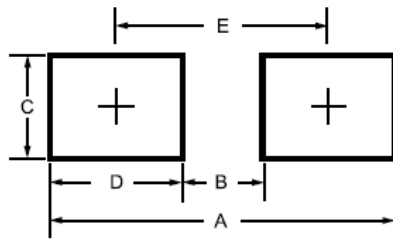


**SMB**

Dimensions in inches and (millimeters)

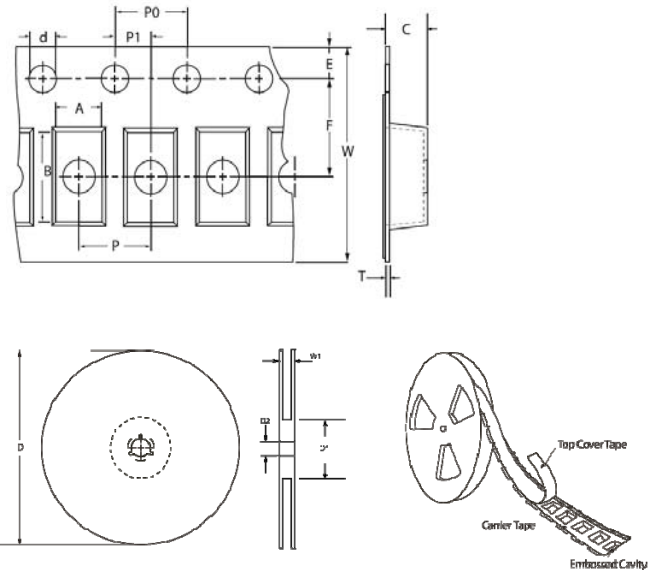
**Suggested Pad Layout**

Outline Symbol	SMB Unit (mm)
A	6.80
B	1.80
C	2.30
D	2.50
E	4.30



**Tape & Reel Specification**

Item	Symbol	SMB Unit (mm)
Carrier width	A	4.0(max)
Carrier length	B	5.9(max)
Carrier depth	C	3.0(max)
Sprocket hole	d	1.50±0.1
Reel outside diameter	D	330±2
Reel inner diameter	D1	50(min)
Feed hole width	D2	13.5±1
Sprocket hole position	E	1.75±0.10
Punch hole position	F	5.5±0.05
Punch hole pitch	P	4.0±0.10
Sprocket hole pitch	P0	4.0±0.10
Embossment center	P1	2.0±0.05
Overall tape thickness	T	0.6(max)
Tape width	W	12.0±0.3
Reel width	W1	14.4(max)





### LEGAL DISCLAIMER

- The product is provided “AS IS” without any guarantees or warranty. In association with the product, Eris Technology Corporation, its affiliates, and their directors, officers, employees, agents, successors and assigns (collectively, the “Eris”) makes no warranties of any kind, either express or implied, including but not limited to warranties of merchantability, fitness for a particular purpose, of title, or of non-infringement of third party rights.
- The information in this document and any product described herein are subject to change without notice and should not be construed as a commitment by Eris. Eris assumes no responsibility for any errors that may appear in this document.
- Eris does not assume any liability arising out of the application or use of this document or any product described herein, any Customer or user of this document or products described herein in such applications shall assume all risks of such use and will agree to hold Eris and all the companies whose products are represented on Eris website, harmless against all damages.
- No license, express or implied, by estoppels or otherwise, to any intellectual property is granted by this document or by any conduct of Eris. Product name and markings notes herein may be trademarks of their respective owners.
- Eris does not warrant or accept any liability whatsoever in respect of any products purchased through unauthorized sales channel.
- Should Customers purchase or use Eris products for any unintended or unauthorized application, Customers shall indemnify and hold Eris and its representatives harmless against all claims, damages, expenses, and attorney fees arising out of, directly or indirectly, any claim of personal injury or death associated with such unintended or unauthorized application.
- The official text is written in English and the English version of this document is the only version endorsed by Eris. Any discrepancies or differences created in the translations are not binding and have no legal effect on Eris for compliance or enforcement purposes.