



佛山鎡利電子有限公司
Vanson Electronics (NanHai) Co., Ltd.
HTTP:// www.vecoco.com.cn
Luocun Industrial zone Nanhai District Foshan city
Guangdong Province China Eail: fsvecoco@vecoco.com.cn
廣東省佛山市南海區羅村工業區 郵編:528226
TEL:+86-757-8126 6388 FAX:+86-757-8126 6389

Specification

規格書

| | |
|-------------------|-----------------|
| 品名 (Product Name) | 揚聲器 (Speaker) |
| 料號 (Model No.) | P39KUG04XNT-2-W |

| Revision History | | | |
|------------------|------------|--------------|--------|
| Version | Date | Description | Author |
| 00 | 2017/03/27 | Creation | LHN |
| 01 | 2018/02/27 | Update No.11 | LHN |
| | | | |
| | | | |

| | | |
|---------------|-----|------------|
| 核準 (Approval) | 高紅華 | 2018/02/27 |
| 審查 (Check) | 曾憲財 | 2018/02/27 |
| 設計 (Designer) | 王麗紅 | 2018/02/27 |
| 制作 (Author) | 劉紅妮 | 2018/02/27 |



Vanson Electronics(Nanhai) Co., Ltd.

Luocun Industrial zone Nanhai District Foshan city Guangdong Province China

TEL : + 86-757-8126 6388 FAX: + 86-757-8126 6389 E-mail: fsveco@veco.com.cn

| | | | | | |
|-----|--------------------------------------|--|-------------------------|---------------------|-----------------------------|
| 1. | MODEL: | P39KUG04XNT-2-W | | | |
| 2 | Cone and edge type: | Cone : Al | Edge : PU | | |
| 3 | Dimension & Weight | Outer Diameter | 39 X 39 mm | | |
| | | Baffle Opening | Φ 23.5 mm | | |
| | | Height | Refer to drawing | | Weight 52.3 Grams |
| 4 | Magnet | Materials | NdFeB | | Size φ 30*22.5*6 mm |
| 5. | DC Resistance | 4 Ω ± 15 %, | | On OHM Meter | |
| 6. | Power Rating | Normal | 5.0 Watts | | Maximum 8 Watts Sine |
| | | Normal | Watts | | Maximum Watts Square |
| 7. | Resonant Frequency | 250 ± 20 % Hz. | | | |
| 8. | Output Sound Pressure Level (S.P.L.) | 78 ± 3 db/ 1.0 Watt · 0.5 Meter | | | |
| | | Average at | 800 | 1000 | 1200 |
| 9. | Frequency Range | FO ~ 20000 Hz. Average SPL – 10 db. | | | |
| 10. | Distortion | 5 % Maximum At 1000 Hz. 1.0 Watt · 0.5 Meter | | | |
| 11 | Waterproof Level | IPX5 | | | |
| 12 | Abnormal Sound test | Must be Normal Tested By 4.47 Volts. Sine Wave. | | | |
| 13 | Load Test | Pink noise with HPF(High Pass Filter 235HZ-3db/Oct) 4.47Volts. (RMS.) 96 Hours. | | | |
| 14 | Polarity | Diaphragm shall move Forward while Apply a Positive DC Signal to the " + " or " Marked " Terminal. | | | |

Above Measuring condition under temperature : 15~35°C R.H. 25 ~75%. According to standard GB/T12060.5-2011

Mechanical and vibration test

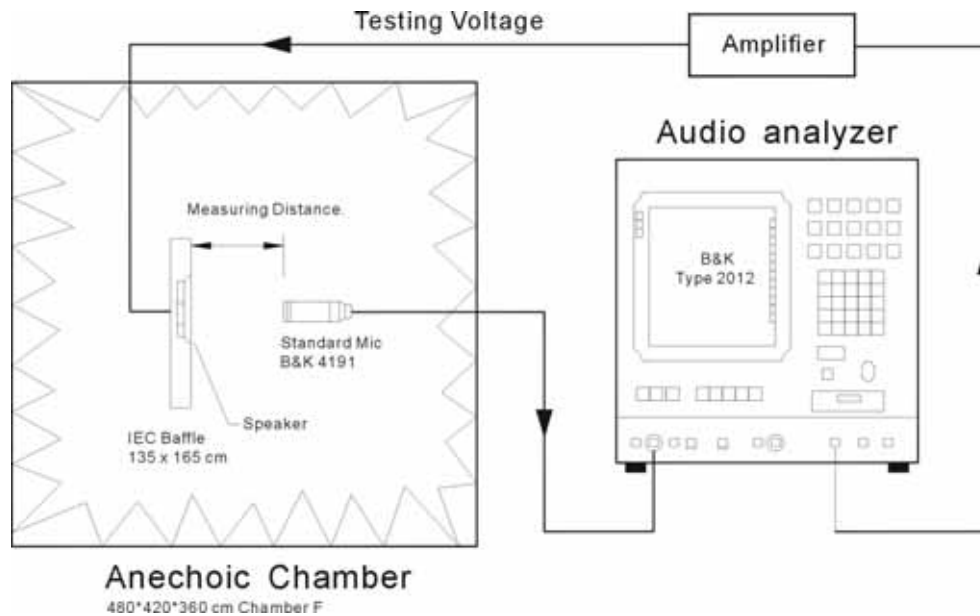
| | | | | | |
|--|------------------------|--|---|--|--|
| 15 | High Temperature | + 60 ± 2 °C | Humidity Random for 96 Hours. (GB2423.2-81) | | |
| 16 | Low Temperature | - 25 ± 2 °C | Humidity Random for 96 Hours. (GB2423.1-81) | | |
| 17 | Humidity | + 40 ± 2 °C | Relative Humidity (RH) 90 ~ 95 % 96 Hours. | | |
| 18 | Vibration | Frequency 30 ± 15 Hz, Amplitude 1.5 mm for 3 Hours. (GB11606.8-89) | | | |
| 19 | Drop test | 75 CM free falling on Concrete floor, 10 times. (GB2423. 8-81) | | | |
| After test leave speakers at room temperature for 1 hour, SPL shall not deviate by ± 3 db from pre-test Measurement, and meet above spec. item 6. 7. 8. 9. 10. | | | | | |
| 20 | Temperature Cycle test | - 25 ~ + 60 °C | 4 Cycles Temperature test. (GB5170.18-87) | | |

After test leave speakers at room temperature for 1 hour, SPL shall not deviate by ± 4 db from pre-test Measurement, and meet above spec. item 6. 7. 8. 9. 10.

Please refer to next pages for more detailed testing method.

Test method and User precaution.

1. Characteristics measured according to standard GB/T12060.5-2011
 - 1.1 Except other specified, measuring are under Temperature $15\sim 35^{\circ}\text{C}$ R.H. 25 ~75%
 - 1.2 Judgement condition Temperature 20 ± 2 R.H. 63~67%
 - 1.3 Product shelf life is valid for 12 months only.
2. Output Sound Pressure Level (S.P.L.) and distortion testing setup



3. Environment & Mechanical test:

3.1 High Temperature: GB2423.2-81

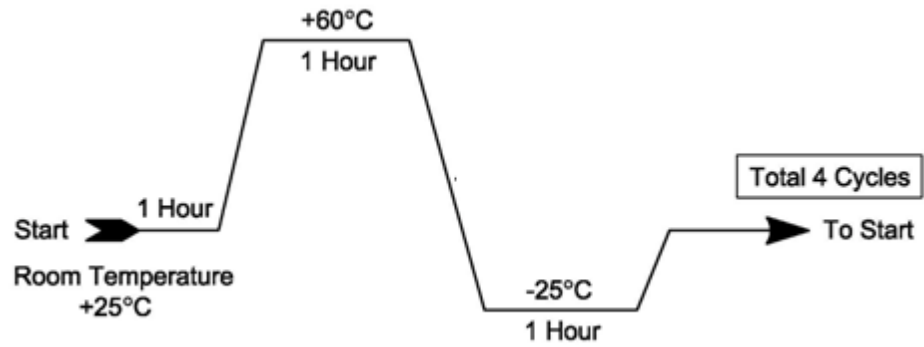
After exposure the speaker in the $+ 60 \pm 2^{\circ}\text{C}$ chamber for 96 hours, then leave the speaker at room temperature for 1 hour, the SPL should not deviate by ± 3 db, and resonant frequency should not deviate by ± 50 Hz, compare with pre-test measurement.

3.2 Low Temperature: GB2423.1-81

After exposure the speaker in the $-25 \pm 2^{\circ}\text{C}$ chamber for 96 hours, then leave the speaker at room temperature for 1 hour, the SPL should not deviate by ± 3 db, and resonant frequency should not deviate by ± 50 Hz, compare with pre-test measurement.

3.3 Temperature cycle: GB5170.18-87

After exposure the speaker in the chamber, temperature cycle setting as below shows, then leave the speaker at room temperature for 1 hour, SPL should not deviate by ± 3 db, and resonant frequency should not deviate by ± 80 Hz, compare with pre-test measurement.



3.4 Humidity: GB5170.18-87

After exposure the speaker in the $+40 \pm 2$ °C, relative humidity 90% ~ 95% chamber for 96 hours, then leave the speaker at room temperature for 6 hours, the SPL should not deviate by ± 3 db, and resonant frequency should not deviate by ± 50 Hz, compare with pre-test measurement.

3.5 Vibration: GB11606.8-89

Frequency 30 ± 15 Hz, Amplitude 1.5 mm for 3 Hours. After test, SPL shall not deviate by ± 3 db from pre-test measurement,

3.6 Load test: GB/T12060.5-2011

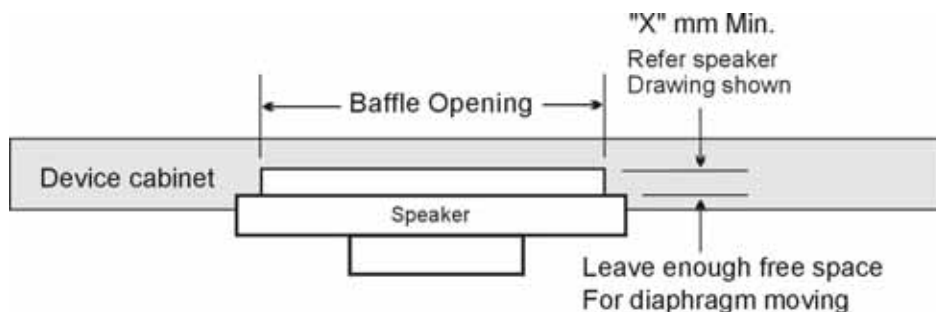
Speaker should not fail after apply 20 ~ 20K Hz Pink noise with HPF rated power input (RMS), 96 hours. After test, SPL shall not deviate by ± 3 db from pre-test measurement,

3.7 Drop test: GB2423. 8-81

75 cm free falling on concrete floor, 10 times. After test, SPL shall not deviate by ± 3 db from pre-test measurement,

4. Mounting precaution

In order to keep speaker work normally, there shall leave enough free space for diaphragm moving, minimum distance required is marked in speaker mechanical drawing.



5. Measuring & standard referenced

Abstract from GB/T12060.5-2011 and IEC 60268-5:2007 methods of measurement for main characteristics of loud speakers.

5.1 Rated sine voltage.

It is stipulated by manufacturer, sine signal voltage that make speaker work continuously in rated frequency range, but the speaker wouldn't be damaged heartily or mechanically.

The persist time of the voltage is 1 hour.

5.2 The rated sine power.

The rated sine power is corresponding with the rated sine voltage, its definition is U_s^2/R ,

U_s indicates the rated sin voltage, R indicates the rated impedance.

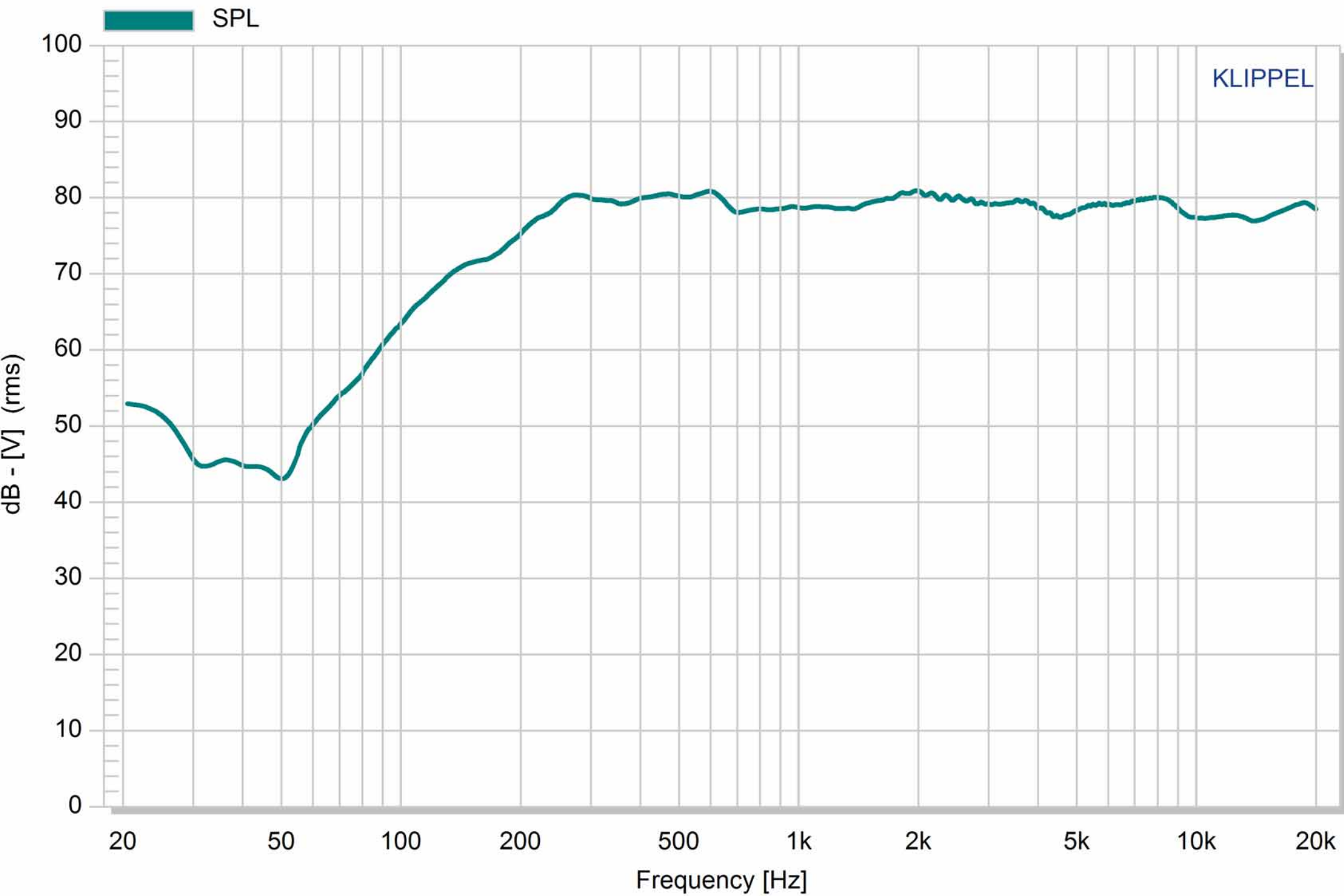
5.3 The rated noise power.

The rated noise power is corresponding with the rated noise voltage, its definition is U_n^2/R ,

U_n indicates the rated noise voltage, R indicates the rated impedance.

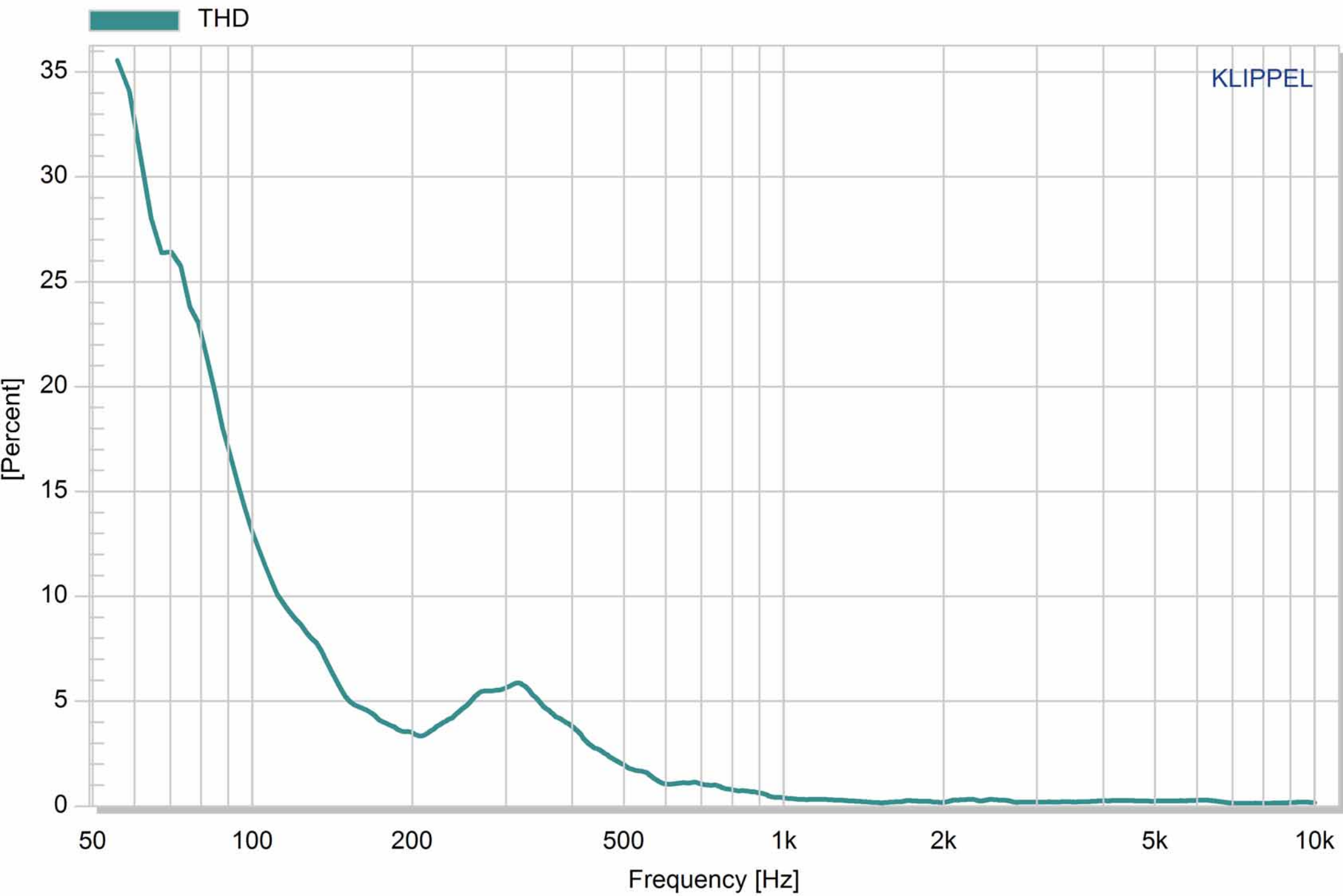
P39KUG04XNT-2-W

1W / 0.5M

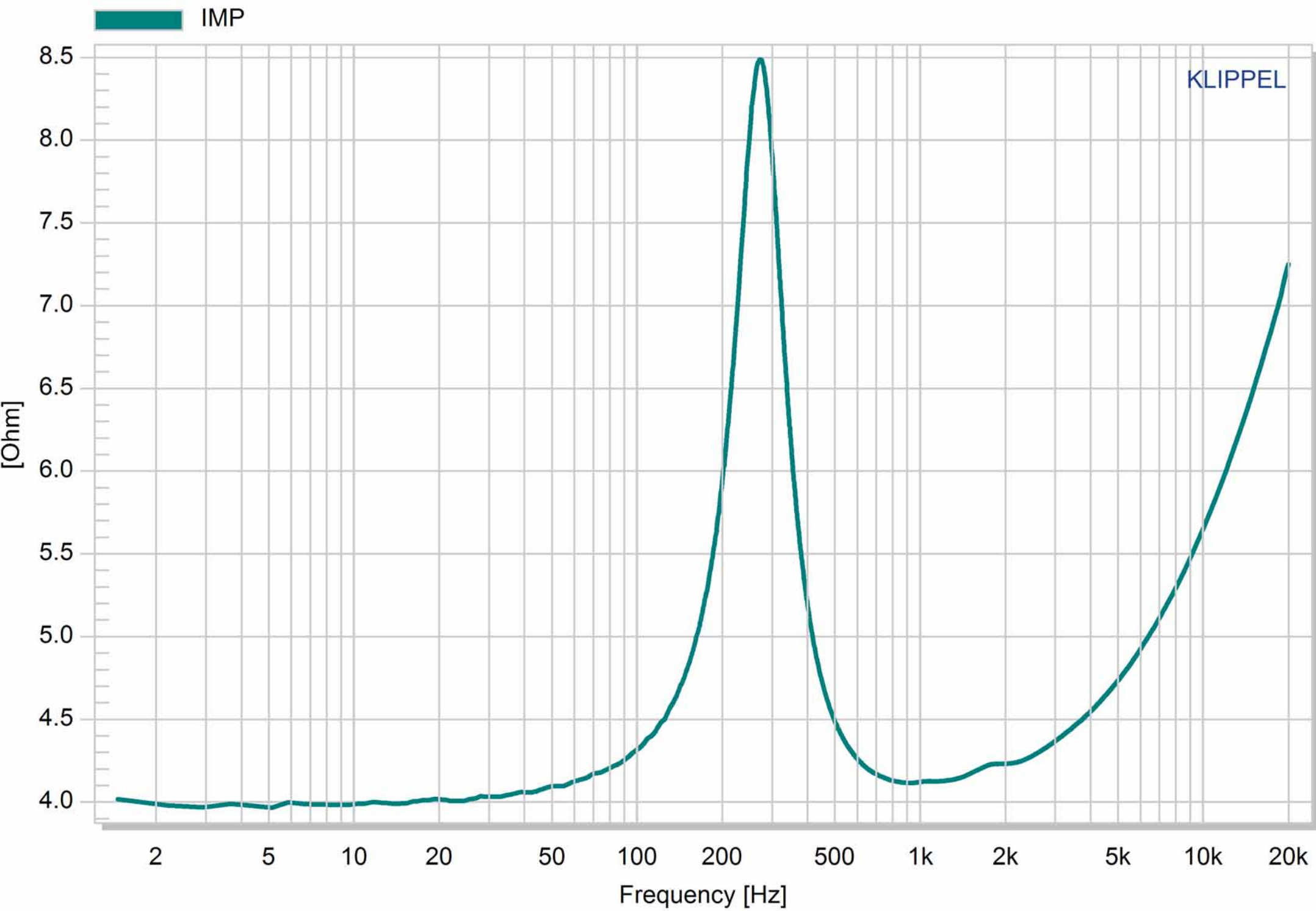


P39KUG04XNT-2-W

1W / 0.5M



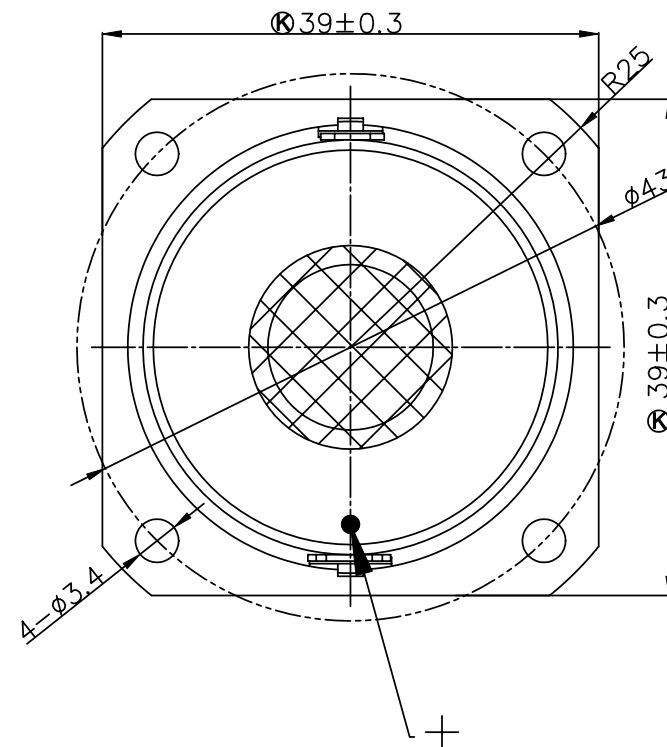
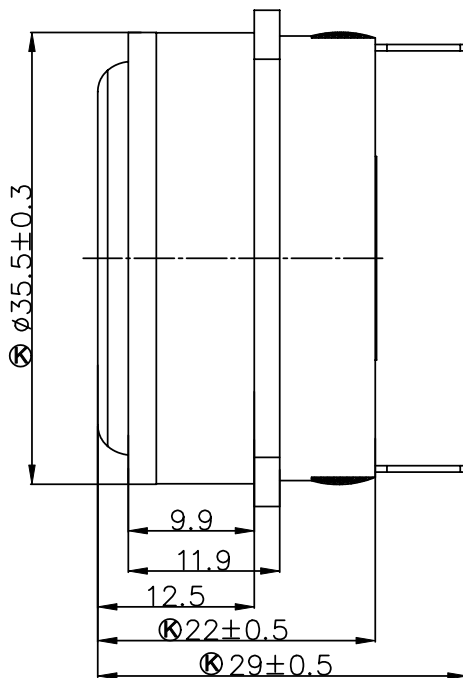
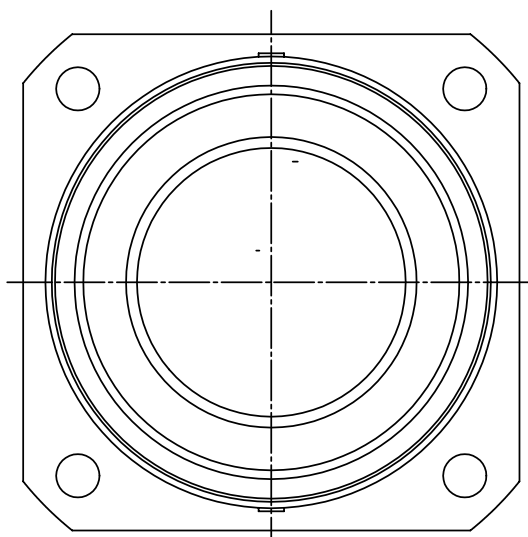
P39KUG04XNT-2-W



NOTE:

1. 加工要求:
2. 表面處理:
3. 制程重點:
4. 檢驗重點:

不准使用鎳
電子禁止使用的
環境管理物質



PU+ Aluminum
防水等級: IPX5

| RANGE | TOL | | | ✓ | |
|--------|-------|-------|-------|------|----|
| 0-8 | ±0.05 | ±0.1 | ±0.15 | ±0.2 | ±1 |
| 8-16 | ±0.1 | ±0.15 | ±0.2 | ±0.2 | ±2 |
| 16-24 | ±0.15 | ±0.2 | ±0.3 | ±0.3 | ±2 |
| 24-50 | ±0.2 | ±0.25 | ±0.3 | ±0.4 | ±3 |
| 50-100 | ±0.25 | ±0.3 | ±0.5 | ±0.5 | ±3 |
| >100 | ±0.3 | ±0.4 | ±0.4 | ±0.8 | ±5 |

Ⓚ CRITICAL DIMENSIONS ENVIRONMENT REQUIREMENT:
COSTOMER PN: VECO PN:
DATE: 2017/03/15 MATERIAL: COLOUR:

| ITEM | Y/M/D | CONTENTS OF CHANGE | SPONSOR |
|------|-------|--------------------|---------|
| | | | |
| | | | |

Vanson Electronics (Nanhai) Co., Ltd.

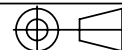
鎂利電子 E-MAIL: fsveco@veco.com.cn
TEL:+86-757-81266388 FAX:+86-757-81266389

Title: P39KUG04XNT-2-W

Unit: mm

VER: 00

Appr.: 高紅華



Scale: 1:1

CHK.: 曾憲財

Dwg.: 王麗紅