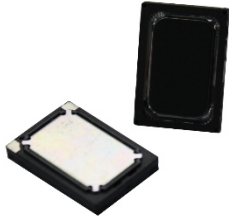


Description

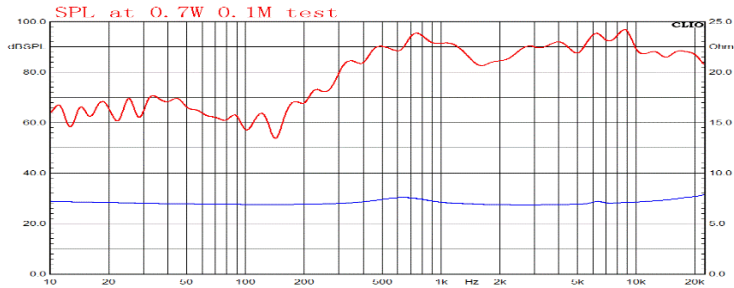
Chinasound Micro Speaker 14mm width, 20mm length, Square frame, 3mm height – 8 ohm rated impedance, NdFeB magnet, 0.7W rated power – PEEK cone, 650 Hz resonant frequency, RoHS compliant

- ◆ RoHS complaint
- ◆ Water-proof
- ◆ Small size

Picture



Frequency Response Curve tested by CLIO10



Specification

- Rated Impedance
- Rated Power
- Max. Power
- Resonant Frequency
- Frequency Range
- Sound Pressure Level
- Operating Temperature
- Storage Temperature
- Termination
- Construction Materials
- Weight (Typical)
- Reliability

- Description
- Case
- Diaphragm

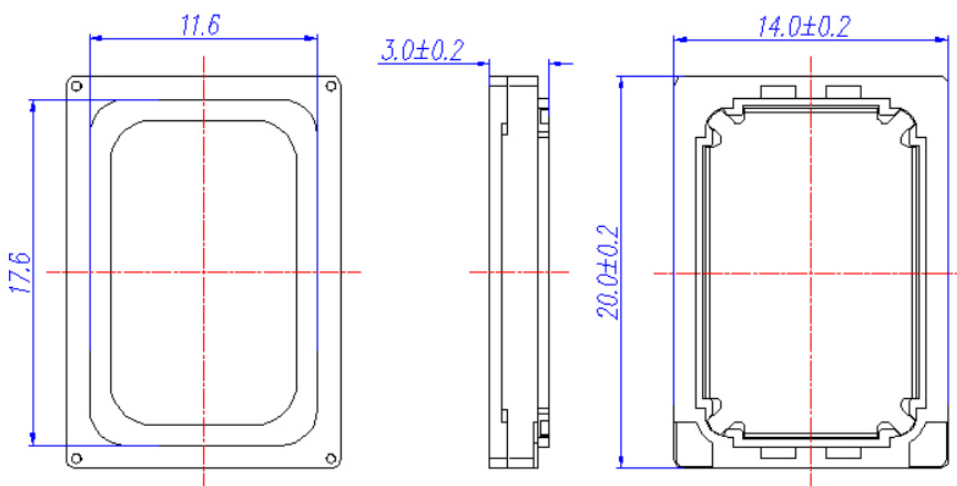
- *Buzzes & Rattles
- *Load Test
- *High Temperature
- *Low Temperature
- *Humidity
- *Thermal Shock
- *Vibration

8+/-15% ohm
 0.7 W
 1 W
 650+/-20% Hz.
 fo ~ 20kHz,
 90+/-3 dB 0.7W10cm (Average of SPL values at 800, 1000, 1200 & 1500 Hz.)
 -30°C to +70 °C
 -40 °C to +85 °C
 Spring terminal
 PPA
 PEEK cone
 2.0g
 Dynamic speaker must be audible noise at 2.37(=0.7W)Vrms
 0.7W white noise for 96hrs
 no function at +85 +/-2°C for 96 hours, function at +70+/-2°C for 96 hours,
 no function at -40+/-2°C for 96 hours, function at -30+/-2°C for 96 hours,
 +40+/-2°C, 90 ~ 95% R.H. for 48hrs
 -30+/-2°C, 30min→+20°C, 15min,→+70+/-2°C, 30min→+20°C, 15min, 5 cycles
 1.5mm with 10 to 50Hz of vibration frequency to each of 3 perpendicular direction for 2 hrs
 For a period of one (1) year from date of manufacture under normal operations

Warranty

* All specifications must be satisfied after the test (Recovery:2 to 4 hrs of recovery under the standard condition after the removal from test chamber).
 **90% min. soldering pads shall be with solder.(except the edge of pad)

Dimensions (Unit: mm)



Any changes to this specification must be approved in writing by engineering prior to change

Composed by: Chrissy D/180817 Checked by: James Z /180817 Approved by: William W/180817



CHANGZHOU CHINASOUND ELECTRONICS CO., LTD.

Tel: +86-519-86182518 Fax: +86-519-86182519

http://www.chinasound.com
 email: market@chinasound.com

Revisions History

Version Number	Description	Name	Date
SP1.10.110-A0	Original, CMS1420S3-8N0.7-K650R	Chrissy Deng	2018-08-17

Composed by: Chrissy D/180817 Checked by: James Z /180817 Approved by: William W/180817



CHANGZHOU CHINASOUND ELECTRONICS CO., LTD.

Tel: +86-519-86182518 Fax: +86-519-86182519

<http://www.chinasound.com>

email: market@chinasound.com