

Description

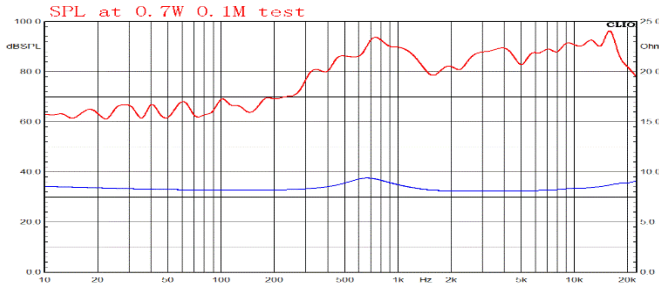
Chinasound Micro Speaker 11mm width, 15mm length, Square type A frame, 2.5mm height – 8 ohm rated impedance, NdFeB magnet, 0.7W rated power – PEEK cone, 700 Hz resonant frequency, RoHS compliant

- ◆ RoHS complaint
- ◆ Small size

Picture



Frequency Response Curve tested by CLIO 10



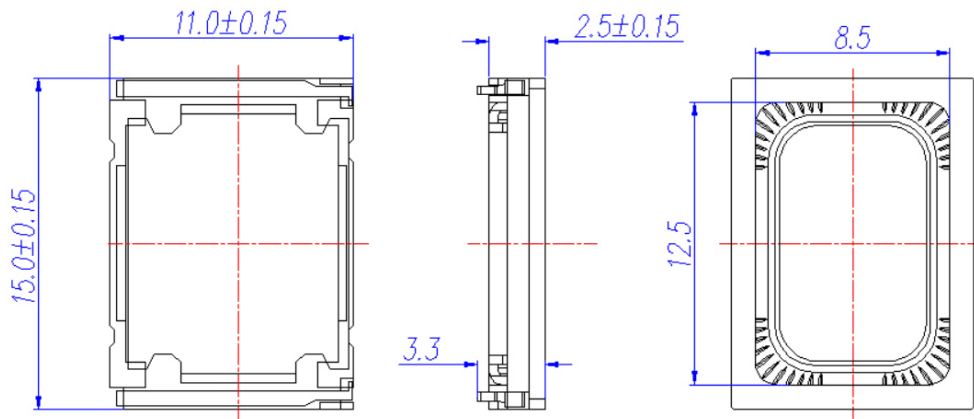
Specification

Rated Impedance	8+/-15% ohm
Rated Power	0.7 W
Max. Power	1 W
Resonant Frequency	700+/-20% Hz.
Frequency Range	fo ~ 20kHz,
Sound Pressure Level	89+/-3 dB 0.7W10cm (Average of SPL values at 800, 1000, 1200 & 1500 Hz.)
Operating Temperature	-30°C to +70 °C
Storage Temperature	-40 °C to +85 °C
Termination	Spring terminal
Construction Materials	Case Diaphragm
Weight (Typical)	1.5g
Reliability	*Buzzes & Rattles *Load Test *High Temperature *Low Temperature *Humidity *Thermal Shock *Vibration

Warranty

* All specifications must be satisfied after the test (Recovery:2 to 4 hrs of recovery under the standard condition after the removal from test chamber).
**90% min. soldering pads shall be with solder.(except the edge of pad)

Dimensions (Unit: mm)



Any changes to this specification must be approved in writing by engineering prior to change

Revisions History

Version Number	Description	Name	Date
SP1.10.105-A0	Original, CMS1115SA2.5-8N0.7-K700R	Chrissy Deng	2018-08-16

Composed by: Chrissy D/180816

Checked by: James Z/180816

Approved by: William W/180816



CHANGZHOU CHINASOUND ELECTRONICS CO., LTD.

Tel: +86-519-86182518 Fax: +86-519-86182519

<http://www.chinasound.com>

email: market@chinasound.com

