

Description

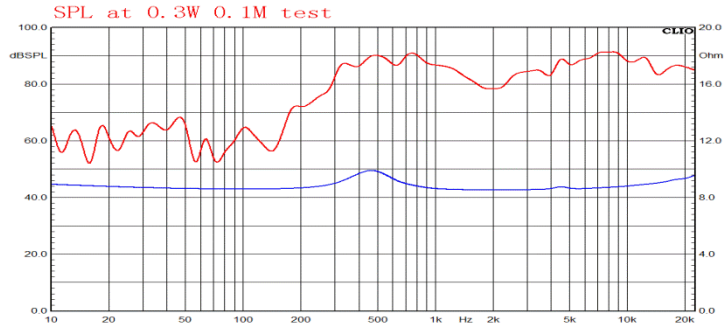
Chinasound SMD Micro Speaker 18mm width, Square frame, 4.8mm height - 8 ohm rated impedance, SmCo magnet, 0.3W rated power – type PI cone, 580 Hz rated frequency, lead Free solderable and RoHS compliant

- ◆ RoHS compliant
- ◆ Water-proof
- ◆ Small size
- ◆ Lead Free Reflowing Solderable

Picture



Frequency Response Curve tested by CLIO at 0.3W 0.1m



Specification

- Rated Impedance
- Rated Power
- Max. Power
- Resonant Frequency
- Frequency Range
- Sound Pressure Level
- Operating Temperature
- Storage Temperature
- Termination
- Construction Materials

8+/-15% ohm (Other Rated Impedance is available.)
 0.3 W
 0.5 W
 580+/-20% Hz
 fo ~ 20,000 Hz
 89+/-3 dB 0.3W 0.1m(Average of SPL values at 800 1,000 1,200 & 1,500 Hz.)
 -40°C to +85°C
 -40°C to +90°C
 PCB, Sn plated
 Plastic, LCP Vectra E130i
 PI
 2.65 g
 Must be normal at 1.55V(=0.3W) sine wave
 0.3W white noise for 96hrs
 no function at +90 +/-2°C for 96 hours, function at +85+/-2°C for 16 hours,
 no function at -40+/-2°C for 96 hours, function at -40+/-2°C for 16 hours,
 +40+/-2°C, 90 ~ 95% R.H. for 48hrs
 -40+/-2°C, 30min→+20°C,15min,→+85+/-2°C, 30min→+20°C,15min, 5 cycles
 1.5mm with 10 to 50Hz of vibration frequency to each of 3 perpendicular direction for 2 hrs
 For a period of one (1) year from date of manufacture under normal operations

Description
Case
Diaphragm

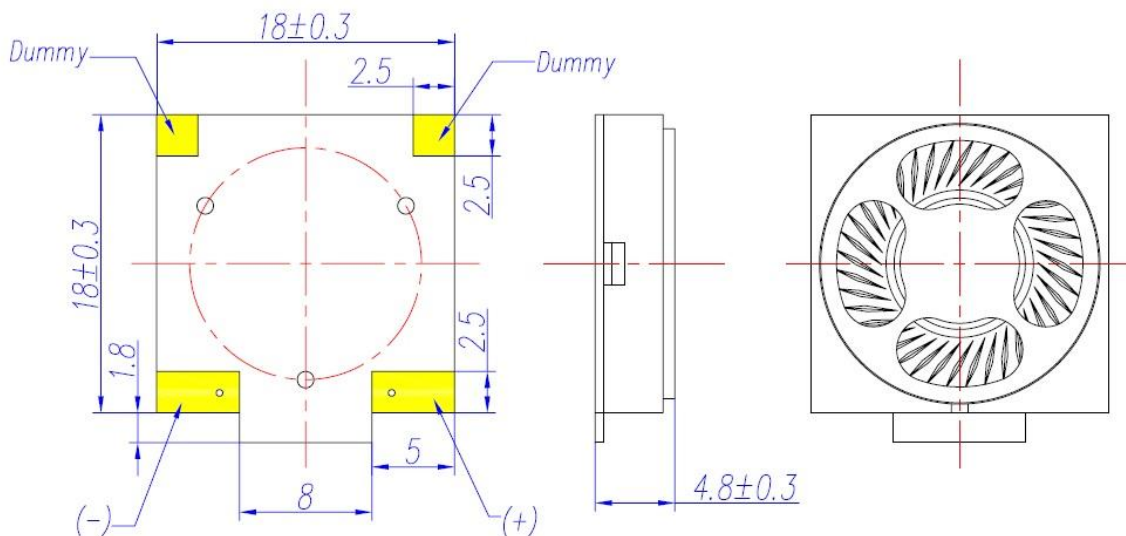
- Weight (Typical)
- Reliability

- *Buzzes & Rattles
- *Load Test
- *High Temperature
- *Low Temperature
- *Humidity
- *Thermal Shock
- *Vibration

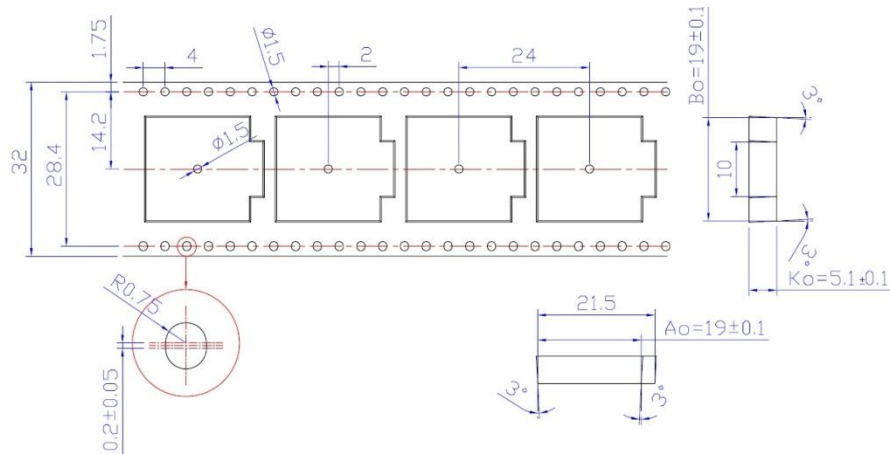
Warranty

* All specifications must be satisfied after the test (Recovery:2 to 4 hrs of recovery under the standard condition after the removal from test chamber).

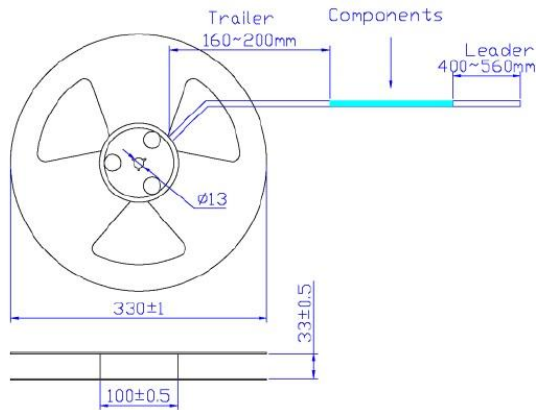
Dimensions (Unit: mm)



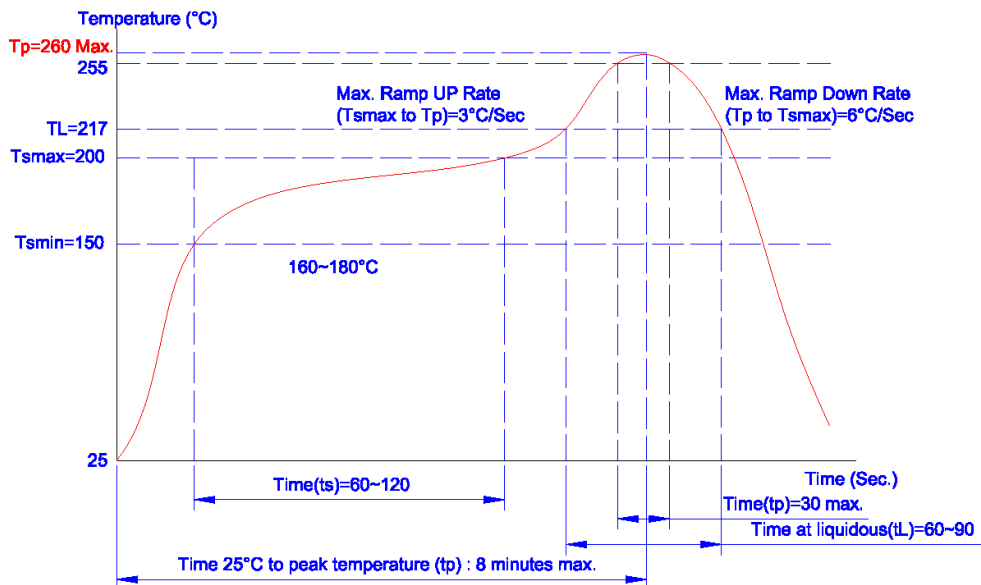
Tape & Reel Dimensions (Unit:mm)



1. 10 sprocket holes pitch cumulative tolerance +/-0.20mm.
2. Carrier camber not to exceed 1 mm in 100 mm.
3. Ao and Bo measured on a plane on a place 0.3 mm above the bottom of the pocket.
4. Ko measured from a plane on the inside bottom of the pocket to the top surface of the carrier.
5. All dimensions meet EIA-481-2-A requirements.
6. Thickness: 0.40+/-0.05 mm.
7. Component loaded per 13" reel: 500 pcs.



Recommend Reflowing Profile



All specifications are subject to change without notice

Composed by: Eileen G/180719 Checked by: Jack G, James Z/180719 Approved by: William W/180719

Revisions History

Version Number	Description	Name	Date
SP1.10.059-A0	Original, CSMS18S4.8-8S0.3-P500F	Eileen Guan	2015-07-03
SP1.10.0591-A1	1)Change the ID from1.10.059 to 1.10.0591; 2)Improve the screen that can use vacuum pickup at the centre.	Eileen Guan	2016-09-27
SP1.10.0591-A2	Add the thickness of the PI Diaphragm to reduce proportion of the raspy products: 1)Change the Resonant Frequency from 500+/-20% Hz to 580+/-20% Hz; 2)Change the PN from CSMS18S4.8-8S0.3-P500F to CSMS18S4.8-8S0.3-P580F; 3) Update the Curve.	Eileen Guan	2018-07-19

Composed by: Eileen G/180719 Checked by: Jack G, James Z /180719 Approved by: William W/180719

ChinaSound

CHANGZHOU CHINASOUND ELECTRONICS CO., LTD.

Tel: +86-519-86182516 Fax: 86182519

<http://www.chinasound.com>
email: market@chinasound.com