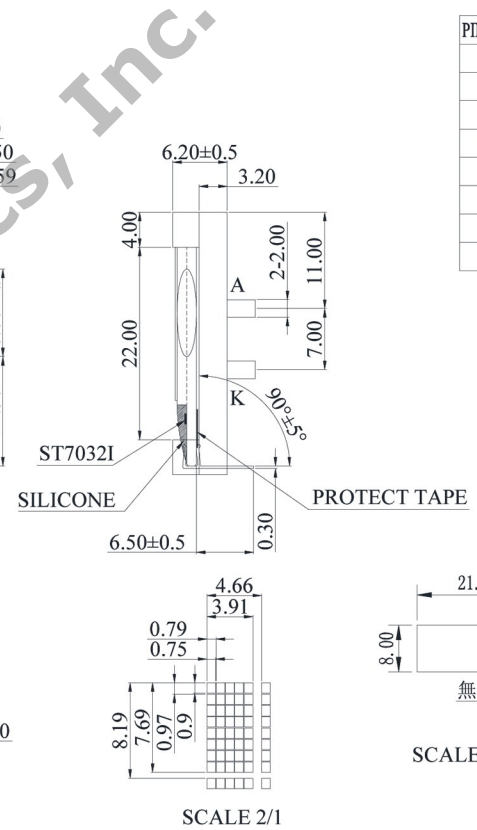
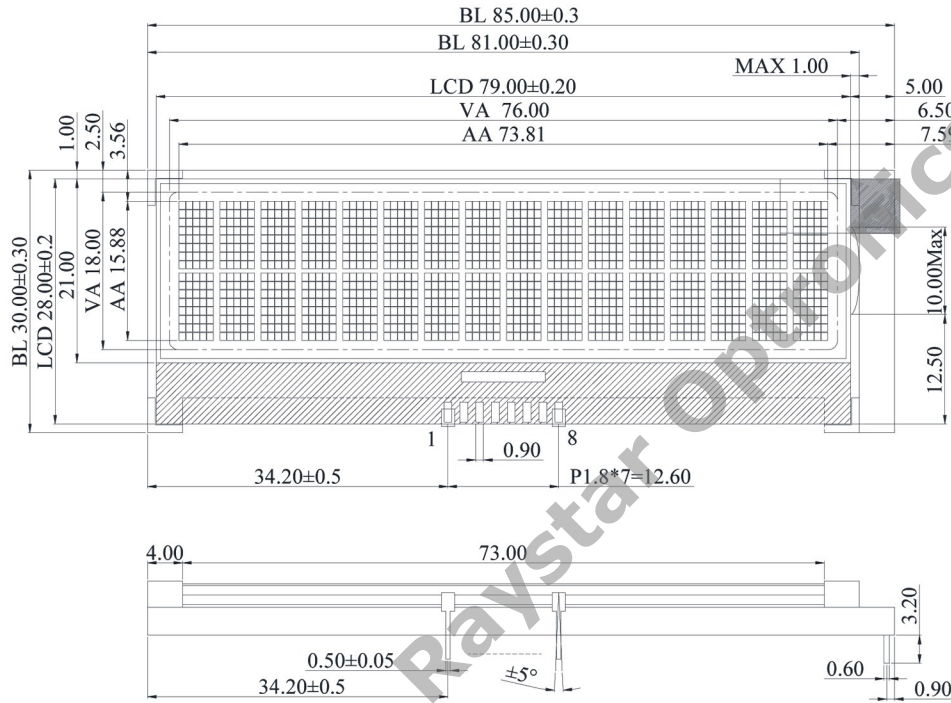
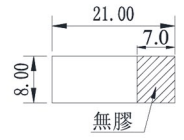


RX1602B COG Character 16x2 dots



PIN NO.	SYMBOL
1	VOUT
2	CAP-
3	CAP+
4	VDD
5	VSS
6	SDATA
7	SCLK
8	RST



SCALE 1/1

The non-specified tolerance of dimension is ±0.3mm.