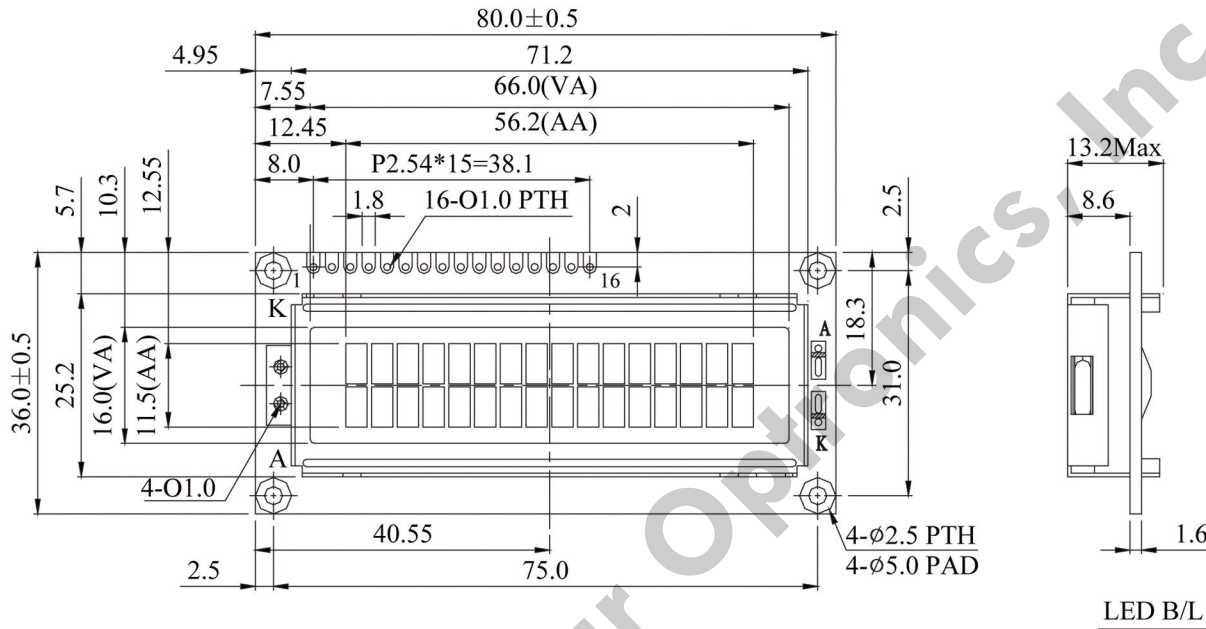
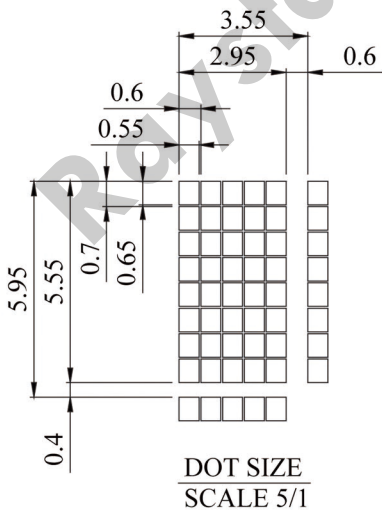


RC1602B4 Character 16x2 dots



PIN NO.	SYMBOL
1	Vss
2	Vdd
3	Vo
4	RS
5	NC
6	NC
7	NC
8	NC
9	NC
10	NC
11	NC
12	CSB
13	SCLK
14	SID
15	A
16	K



The non-specified tolerance of dimension is $\pm 0.3\text{mm}$.