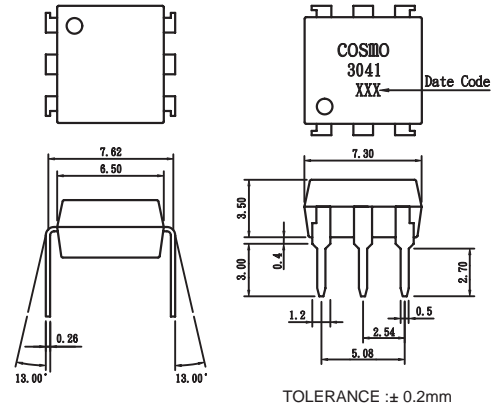


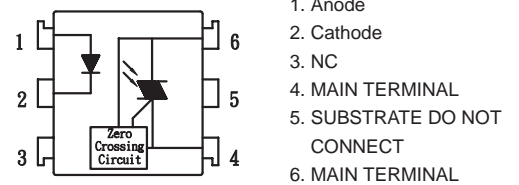
**For 115/240 Vac (rms) Application:**

1. Solenoid/Valve Controls.
2. Lighting Controls.
3. Static Power Switches.
4. AC Motor Drives.
5. Temperature Controls.
6. E. M. Contactors.
7. AC Motor Staters.
8. Solid State Relays.

**Outside Dimension:Unit (mm)**



**Schematic:Top View**



**Absolute Maximum Ratings**

(Ta=25°C)

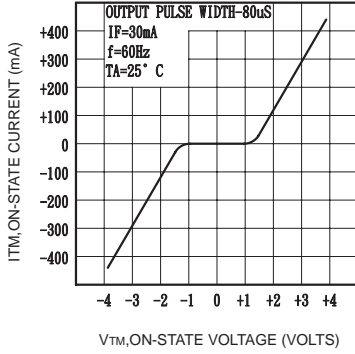
Parameter	Symbol	Rating	Unit
Input	Forward current	IF	50 mA
	Peak forward current	IFM	1 A
	Reverse voltage	VR	6 V
	Power dissipation	Pd	70 mW
Output	Off-State Output Terminal voltage	VDRM	400 Vpeak
	Peak Repetitive Surget Current	ITSM	6 A
	Power dissipation	Pd	300 mW
Total power dissipation	Ptot	330 mW	
Isolation voltage 1 minute	Viso	5000 Vrms	
Operating temperature	Topr	-40 to +80 °C	
Storage temperature	Tstg	-40 to +125 °C	
Soldering temperature 10 seconds	Tsol	260 °C	

**Electro-optical Characteristics**

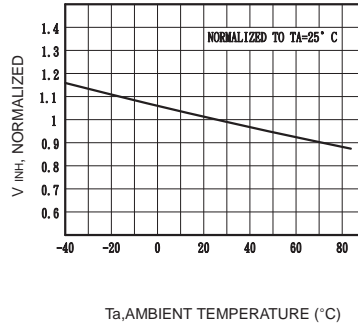
(Ta=25°C)

Parameter	Symbol	Conditions	MIN.	TYP.	MAX.	Unit
Input	Forward voltage	IF=10mA		1.2	1.5	V
	Reverse Leakage Current	VR=4V			10	µA
Output	Peak Blocking Current	VDRM=Rated		60	500	nA
	ON-State Voltage	ITM=100mA		1.8	3	V
	Critical rate of rise of OFF-state voltage		600			V/µS
Transfer characteristics	Holding Current			100		µA
	Inhibit Voltage (MT1-MT2 Voltage above which device not trigger.)	IF=15mA		5	20	V
	Leakage in Inhibited State	IF=Rated IFT, Rated VDRM, Off State				500 µA
	Isolation resistance	DC500V	5x10 <sup>10</sup>	10 <sup>11</sup>		ohm
	Minimum trigger current	Main Terminal Voltage=3V				15 mA

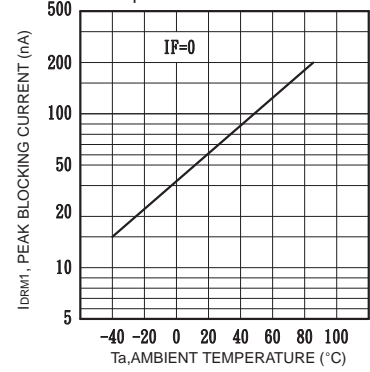
**Fig.1** On-State Characteristics



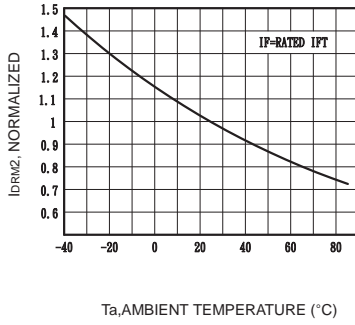
**Fig.2** Inhibit Voltage versus Temperature



**Fig.3** Leakage with LED Off versus Temperature



**Fig.4** I<sub>DRM2</sub>, Leakage in Inhibit State versus Temperature



**Fig.5** Trigger Current versus Temperature

