



# CTM3051, CTM3052, CTM3053

## 600V Random Phase 4-Pin Mini-Flat Phototriac Optocoupler

### Features

- High isolation 3750 VRMS
- Peak Breakdown Voltage 600V
- Temperature range - 55 °C to 100 °C
- Regulatory Approvals
  - VDE - EN60747-5-5(VDE0884-5)
- Green Package

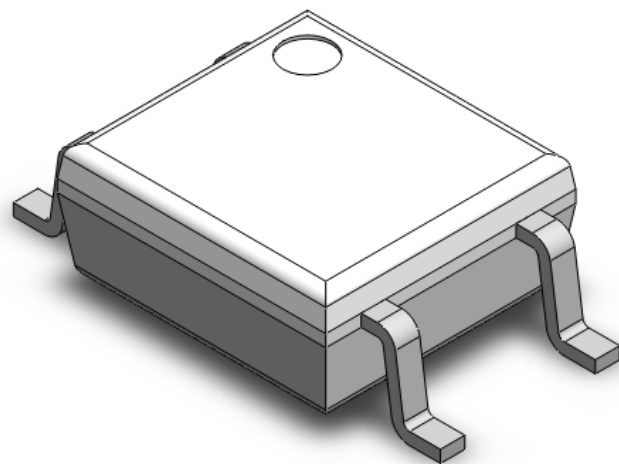
### Applications

- Motor Controls
- Lamp ballasts
- Static AC Power Switch
- Solenoid/ Valve Control

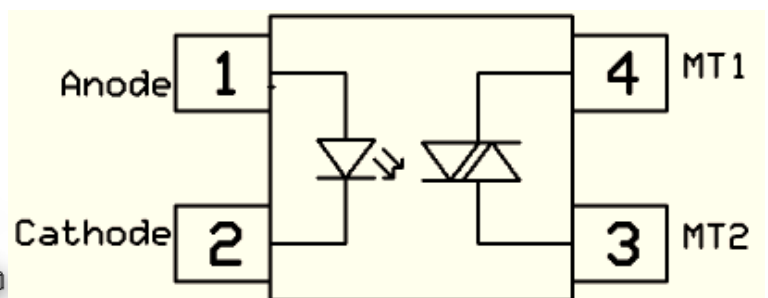
### Description

The CTM3051, CTM3052, CTM3053 series consists of a Random Phase Photo Triac optically coupled to a gallium arsenide Infrared-emitting diode in a 4-lead Mini Flat package.

### Package Outline



### Schematic



*Note: Different bending options available. See package dimension.*



# CTM3051, CTM3052, CTM3053

## 600V Random Phase 4-Pin Mini-Flat Phototriac Optocoupler

### Absolute Maximum Rating at 25°C

<b>Symbol</b>	<b>Parameters</b>	<b>Ratings</b>	<b>Units</b>	<b>Notes</b>
V <sub>ISO</sub>	Isolation voltage	3750	V <sub>RMS</sub>	
T <sub>OPR</sub>	Operating temperature	-55 ~ +100	°C	
T <sub>STG</sub>	Storage temperature	-55 ~ +125	°C	
T <sub>SOL</sub>	Soldering temperature	260	°C	
P <sub>TOT</sub>	Total power dissipation	200	mW	
<b>Emitter</b>				
I <sub>F</sub>	Forward current	60	mA	
I <sub>F(TRANS)</sub>	Peak transient current (≤1μs P.W,300pps)	1	A	
V <sub>R</sub>	Reverse voltage	6	V	
P <sub>D</sub>	Power dissipation	100	mW	
<b>Detector</b>				
P <sub>D</sub>	Power dissipation	300	mW	
V <sub>DRM</sub>	Off-State Output Terminal Voltage	600	V	
I <sub>TSM</sub>	Peak Repetitive Surge Current	1	A	



# CTM3051, CTM3052, CTM3053

## 600V Random Phase 4-Pin Mini-Flat Phototriac Optocoupler

### Electrical Characteristics $T_A = 25^\circ\text{C}$ (unless otherwise specified)

#### Emitter Characteristics

Symbol	Parameters	Test Conditions	Min	Typ	Max	Units	Notes
$V_F$	Forward voltage	$I_F = 10\text{mA}$	-	-	1.5	V	
$I_R$	Reverse Current	$V_R = 6\text{V}$	-	-	5	$\mu\text{A}$	
$C_{IN}$	Input Capacitance	$f = 1\text{MHz}$	-	45	-	pF	

#### Detector Characteristics

Symbol	Parameters	Test Conditions	Min	Typ	Max	Units	Notes
$I_{DRM}$	Peak Blocking Current	$I_F = 0\text{mA}$ , $V_{DRM} = \text{Rated } V_{DRM}$	-	-	100	nA	
$V_{TM}$	Peak On-State Voltage	$I_F = \text{Rated } I_{FT}$ , $I_{TM} = 100\text{mA}$	-	-	2.5	V	
$dv/dt$	Critical Rate of Rise off-State Voltage	CTM305X $V_{PEAK} = 600\text{V}$	1000	-	-	$\text{V}/\mu\text{s}$	

#### Transfer Characteristics

Symbol	Parameters	Test Conditions	Min	Typ	Max	Units	Notes
$I_{FT}$	Input	CTM3051	Terminal Voltage = 3V	-	-	15	mA
	Trigger	CTM3052		-	-	10	
	Current	CTM3053		-	-	5	
$I_H$	Holding Current		-	250	-	$\mu\text{A}$	
$R_{IO}$	Isolation Resistance	$V_{IO} = 500\text{V}_{DC}$	$1 \times 10^{11}$	-	-	$\Omega$	
$C_{IO}$	Isolation Capacitance	$f = 1\text{MHz}$	-	0.25	-	pF	



Typical Characteristic Curve

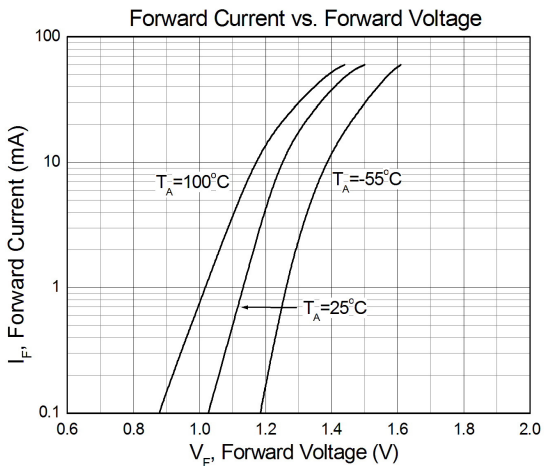


Figure 1

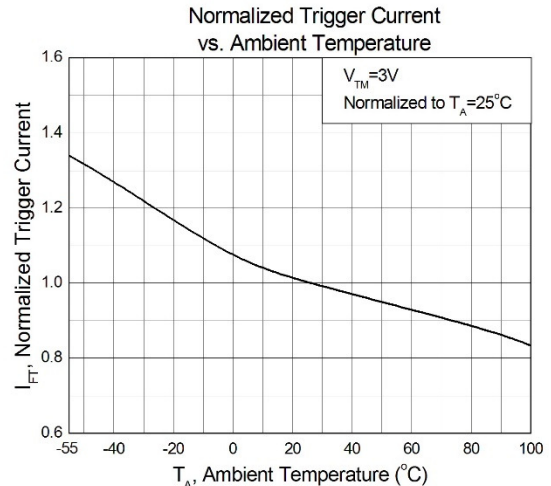


Figure 2

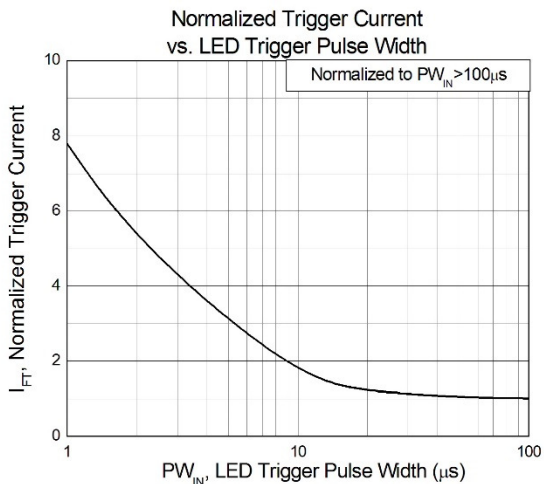


Figure 3

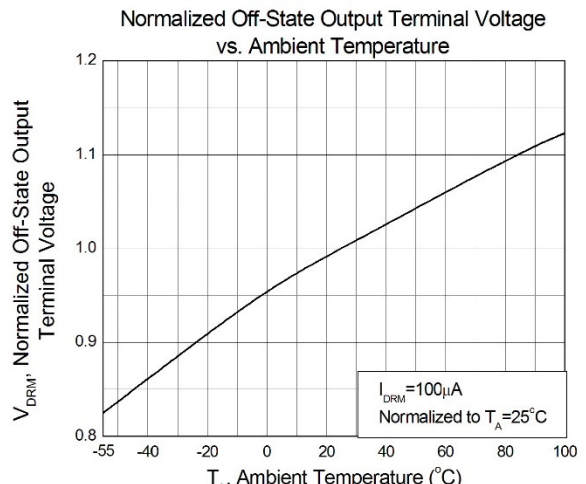


Figure 4

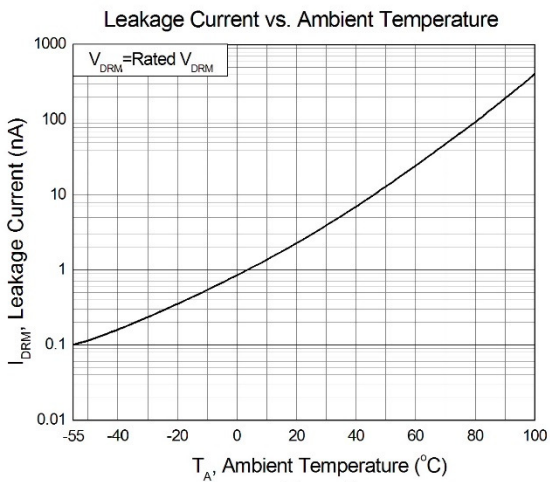


Figure 5

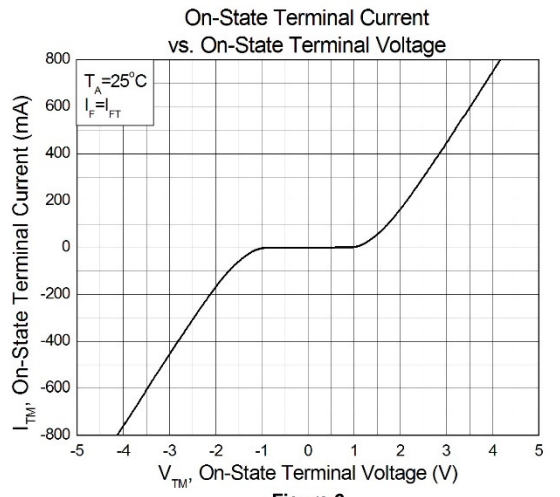
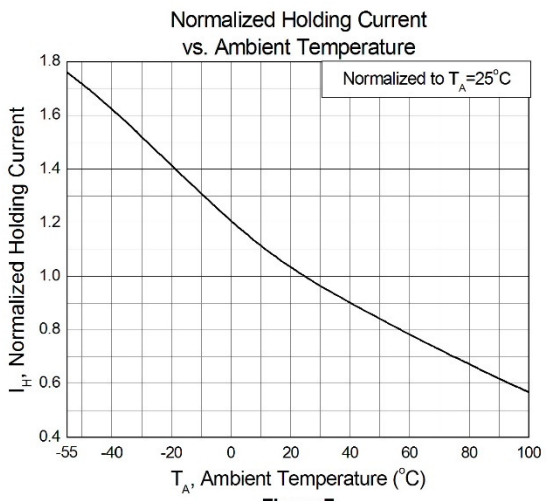


Figure 6



# CTM3051, CTM3052, CTM3053

## 600V Random Phase 4-Pin Mini-Flat Phototriac Optocoupler

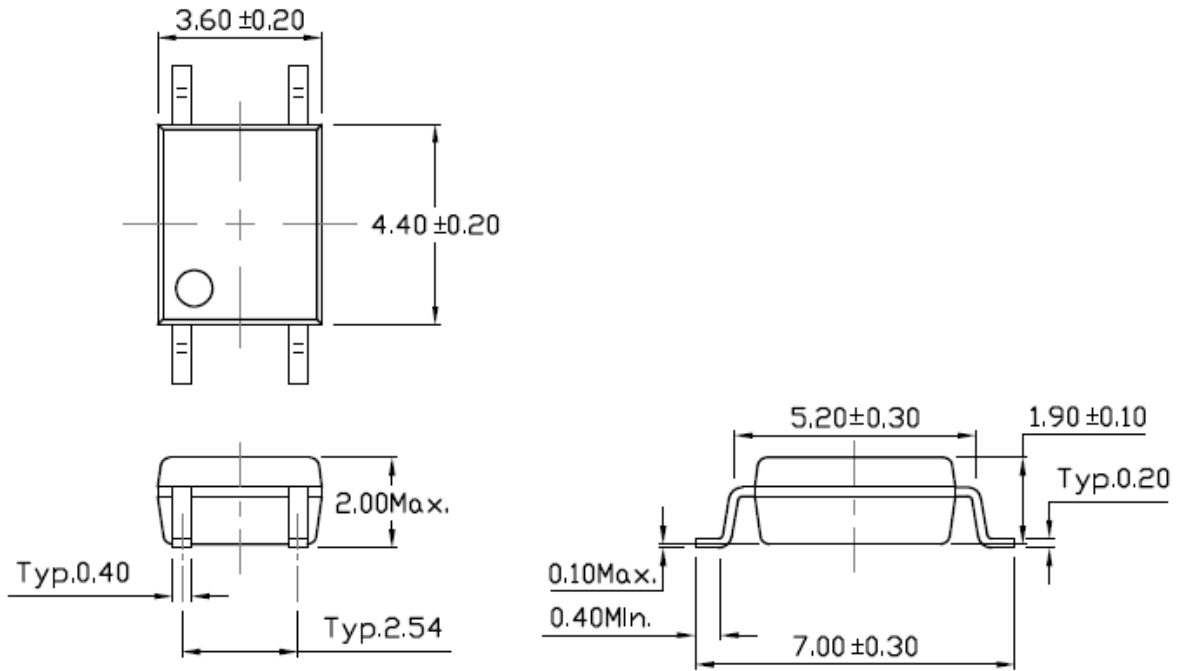




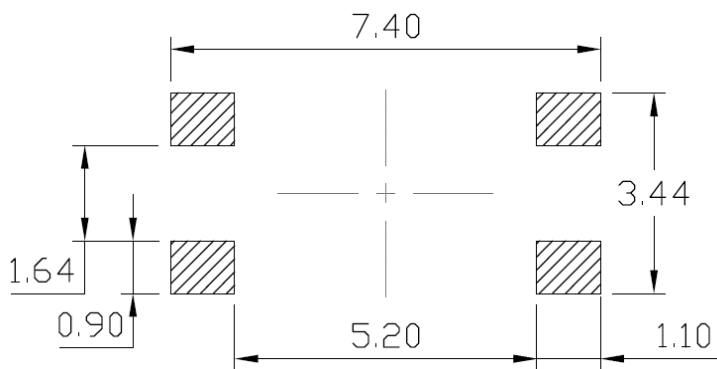
# CTM3051, CTM3052, CTM3053

## 600V Random Phase 4-Pin Mini-Flat Phototriac Optocoupler

### Package Dimension *Dimensions in mm unless otherwise stated*



### Recommended Solder Mask *Dimensions in mm unless otherwise stated*



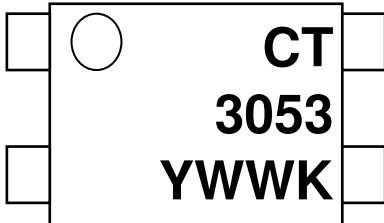


## CTM3051, CTM3052, CTM3053

### 600V Random Phase 4-Pin Mini-Flat Phototriac Optocoupler

---

#### Marking Information



**Note:**

- CT : Denotes “CT Micro”
- 3053 : Product Number
- Y : Fiscal Year
- WW : Work Week
- K : Manufacturing Code

#### Ordering Information

##### CTM30XX(Z)

XX = Part No. (XX=51, 52 or 53)

Z = Tape and reel option (T1 or T2)

<b>Option</b>	<b>Description</b>	<b>Quantity</b>
T1	Surface Mount Lead Forming – With Option 1 Taping	3000 Units/Reel
T2	Surface Mount Lead Forming – With Option 2 Taping	3000 Units/Reel

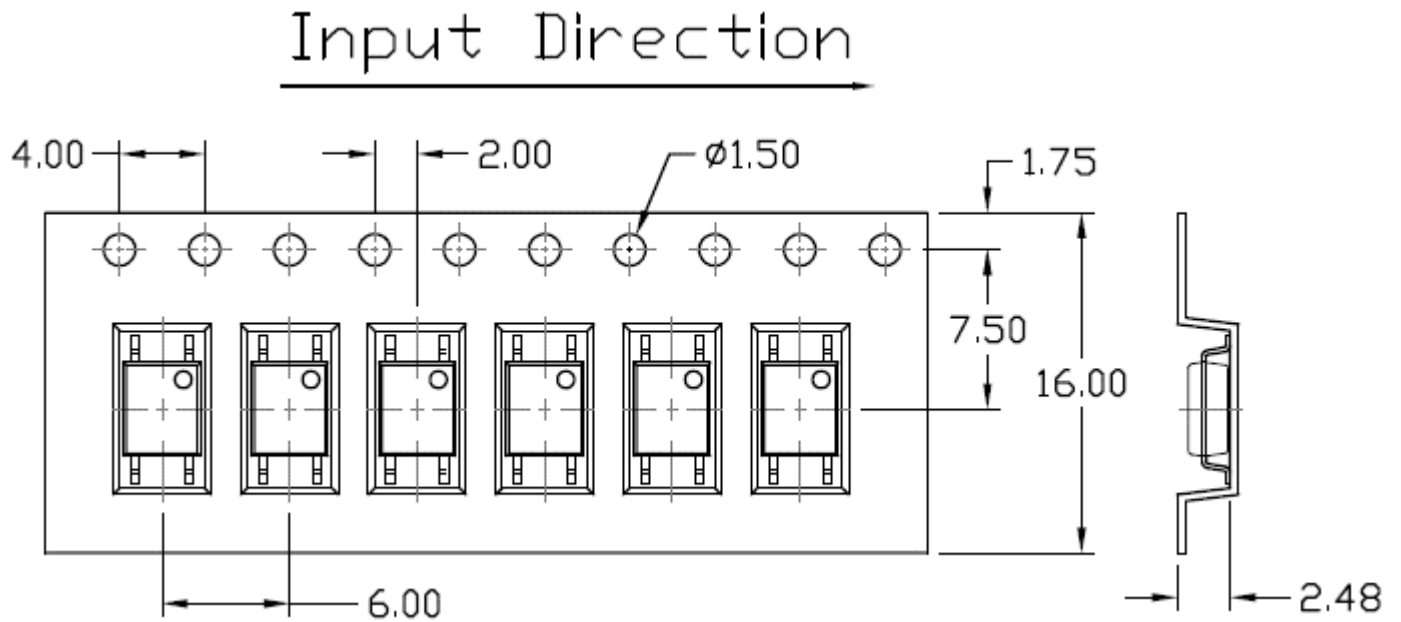


# CTM3051, CTM3052, CTM3053

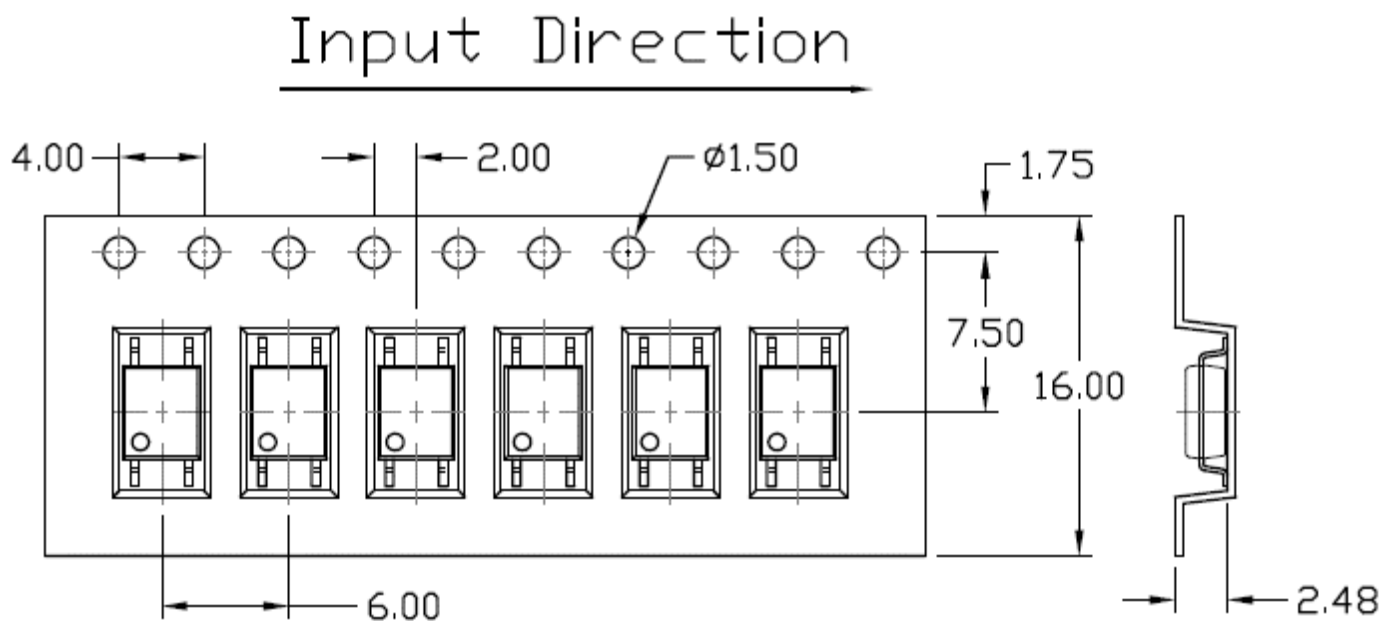
## 600V Random Phase 4-Pin Mini-Flat Phototriac Optocoupler

### Carrier Tape Specifications *Dimensions in mm unless otherwise stated*

#### Option T1



#### Option T2



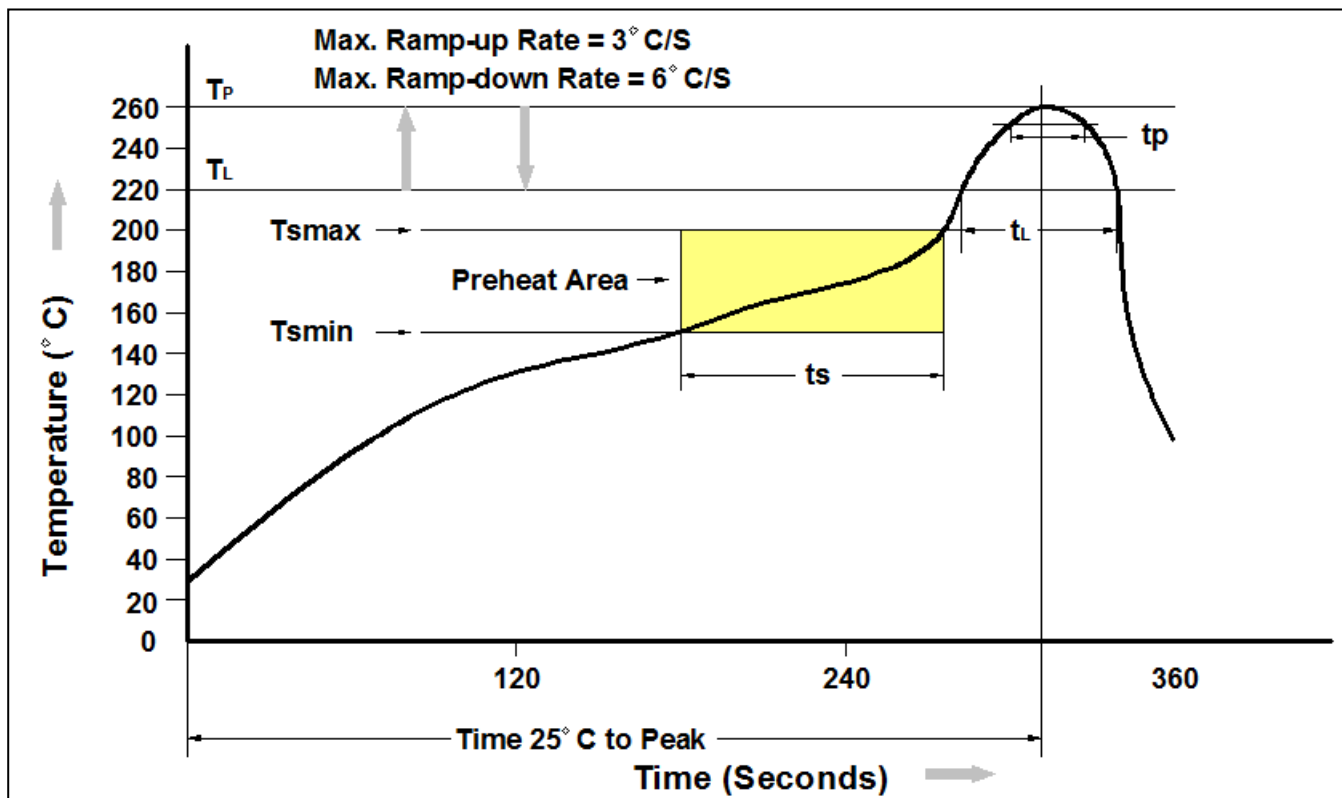




# CTM3051, CTM3052, CTM3053

## 600V Random Phase 4-Pin Mini-Flat Phototriac Optocoupler

### Reflow Profile



Profile Feature	Pb-Free Assembly Profile
Temperature Min. (Tsmín)	150°C
Temperature Max. (Tsmáx)	200°C
Time (ts) from (Tsmín to Tsmáx)	60-120 seconds
Ramp-up Rate (tl to tp)	3°C/second max.
Liquidous Temperature (Tl)	217°C
Time (tl) Maintained Above (Tl)	60 – 150 seconds
Peak Body Package Temperature	260°C +0°C / -5°C
Time (tp) within 5°C of 260°C	30 seconds
Ramp-down Rate (Tp to Tl)	6°C/second max
Time 25°C to Peak Temperature	8 minutes max.



## CTM3051, CTM3052, CTM3053

### 600V Random Phase 4-Pin Mini-Flat Phototriac Optocoupler

---

#### DISCLAIMER

CT MICRO RESERVES THE RIGHT TO MAKE CHANGES WITHOUT FURTHER NOTICE TO ANY PRODUCTS HEREIN TO IMPROVE RELIABILITY, FUNCTION OR DESIGN. CT MICRO DOES NOT ASSUME ANY LIABILITY ARISING OUT OF THE APPLICATION OR USE OF ANY PRODUCT OR CIRCUIT DESCRIBED HEREIN; NEITHER DOES IT CONVEY ANY LICENSE UNDER ITS PATENT RIGHTS, NOR THE RIGHTS OF OTHERS.

---

DISCOLORATION MIGHT OCCUR ON THE PACKAGE SURFACE AFTER SOLDERING, REFLOW OR LONG TERM USE. THIS DOES NOT IMPACT THE PRODUCT PERFORMANCE NOR THE PRODUCT RELIABILITY.

---

CT MICRO ARE NOT AUTHORIZED FOR USE AS CRITICAL COMPONENTS IN LIFE SUPPORT DEVICES OR SYSTEMS WITHOUT EXPRESS WRITTEN APPROVAL OF CT MICRO INTERNATIONAL CORPORATION.

- 1. Life support devices or systems are devices or systems which, (a) are intended for surgical implant into the body, or (b) support or sustain life, or (c) whose failure to perform when properly used in accordance with instruction for use provided in the labelling, can be reasonably expected to result in significant injury to the user.*
- 2. A critical component is any component of a life support device or system whose failure to perform can be reasonably expected to cause the failure of the life support device or system, or to affect its safety or effectiveness.*