

15kW SURFACE MOUNT POWER TVS COMPONENT



DESCRIPTION

The SM15KPAN Series are high-powered surface mount transient voltage suppression components designed to protect equipment and systems from the damaging effects of high voltage spikes. The surface mount package configuration provides a lower profile compared to legacy axial lead package configurations.

These devices provide 15,000 Watts of peak pulse power dissipation for an 10/1000 μ s waveform. Applications include AC and DC power line protection, terrestrial base station protection as well as module lightning protection.

FEATURES

- Compatible with IEC 61000-4-5 (Surge): 48A, 8/20 μ s - L3(Line-Ground), L4(Line-Line) & L1 (Power)
- 15,000 Watts Peak Pulse Power per Line (tp = 10/1000 μ s)
- Unidirectional and Bidirectional Configurations
- Easy Mounting to Printed Circuit Board
- Available in Multiple Voltages
- tClamping (0V to V_(BR) Min) < 100ps, Theoretical for Unidirectional and 5ns for Bidirectional
- RoHS Complaint (Exemption #7)

APPLICATIONS

- Relay Drives
- Motor (Start/Stop) Back EMF Protection
- Module Lightning Protection
- Secondary Lightning Protection for AC/DC

MECHANICAL CHARACTERISTICS

- Approximate Weight: 1.2 grams
- Lead-Free Silver Plating
- Solder Reflow Temperature: 240-250°C
- Flammability Rating UL 94V-0
- Marking: Logo and Marking Code

CIRCUIT DIAGRAMS

Unidirectional



Bidirectional



TYPICAL DEVICE CHARACTERISTICS
MAXIMUM RATINGS @ 25°C Unless Otherwise Specified

PARAMETER	SYMBOL	VALUE	UNITS
Peak Pulse Power (tp = 10/1000μs) - See Figure 1	P _{PP}	15,000	Watts
Forward Surge Rating	I _F	200	Amps
Steady State Power Dissipation	P _P	1.0	Watts
Storage Temperature	T _{STG}	-55 to 150	°C
Operating Temperature	T _L	-55 to 150	°C

ELECTRICAL CHARACTERISTICS PER LINE @ 25°C Unless Otherwise Specified

UNIDIRECTIONAL PART NUMBER (Notes 1 - 2)	MARKING CODE	RATED STAND-OFF VOLTAGE V _{WM} VOLTS	MINIMUM BREAKDOWN VOLTAGE		MAXIMUM LEAKAGE CURRENT @V _{WM} I _D μA	MAXIMUM CLAMPING VOLTAGE (Fig. 2) @ 10/1000μS V _C @ I _{PP}	TEMPERATURE COEFFICIENT OF V _(BR) qV _(BR) mV/°C
			MIN V _(BR) VOLTS	@I _T mA			
SM15KPA17AN	17A	17.0	18.9	50	5000	29.3V @ 512.0A	17
SM15KPA30AN	30A	30.0	33.3	5	15	50.7V @ 296.0A	34
SM15KPA33AN	33A	33.0	36.7	5	10	54.8V @ 274.0A	38
SM15KPA48AN	48A	48.0	53.3	5	10	77.7V @ 193.0A	56

NOTES

1. Devices shown are preferred voltages. Consult factory for additional voltages.
2. V_r(MAX) = 15 Volts @ 200A, 8.3ms (1/2 Sine Wave) - unidirectional configuration only.

ELECTRICAL CHARACTERISTICS PER LINE @ 25°C Unless Otherwise Specified

BIDIRECTIONAL PART NUMBER (Note 1)	MARKING CODE	RATED STAND-OFF VOLTAGE V _{WM} VOLTS	MINIMUM BREAKDOWN VOLTAGE		MAXIMUM LEAKAGE CURRENT @V _{WM} I _D μA	MAXIMUM CLAMPING VOLTAGE (Fig. 2) @ 10/1000μS V _C @ I _{PP}	TEMPERATURE COEFFICIENT OF V _(BR) qV _(BR) mV/°C
			MIN V _(BR) VOLTS	@I _T mA			
SM15KPA30CAN	30C	30.0	33.3	5	15	50.7V @ 296.0A	34
SM15KPA43CAN	43C	43.0	47.8	5	10	69.7V @ 215.0A	50
SM15KPA54CAN	54C	54.0	60.0	5	10	87.5V @ 171.0A	63
SM15KPA58CAN	58C	58.0	64.4	5	10	94.0V @ 160.0A	68
SM15KPA78CAN	78C	78.0	86.7	5	10	126.0V @ 119.0A	93
SM15KPA220CAN	2CC	220.0	245.0	5	10	356.0V @ 42.0A	269

NOTES

1. Devices shown are preferred voltages. Consult factory for additional voltages.

TYPICAL DEVICE CHARACTERISTICS

FIGURE 1
PEAK PULSE POWER VS PULSE TIME

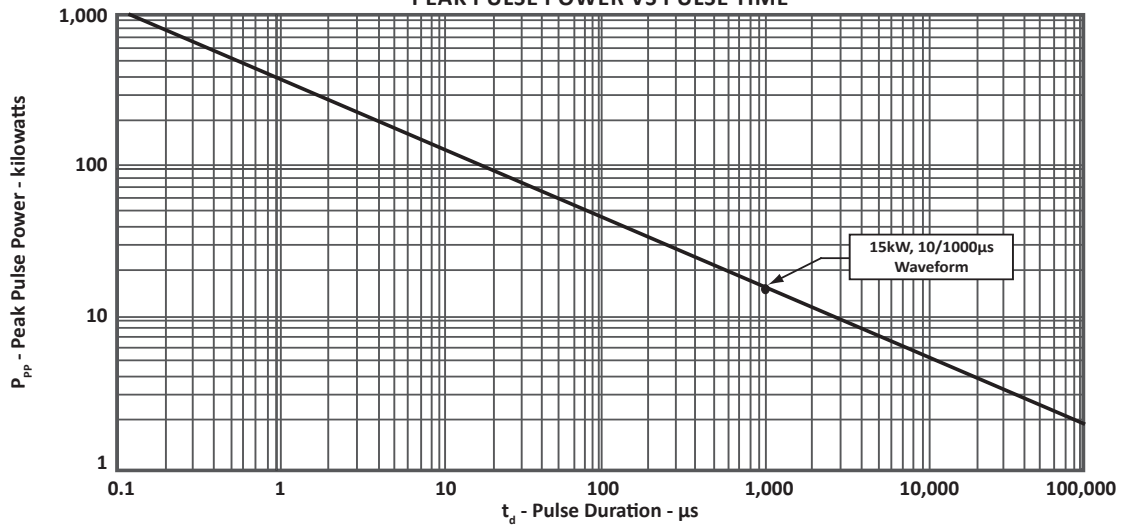


FIGURE 2
PULSE WAVEFORM

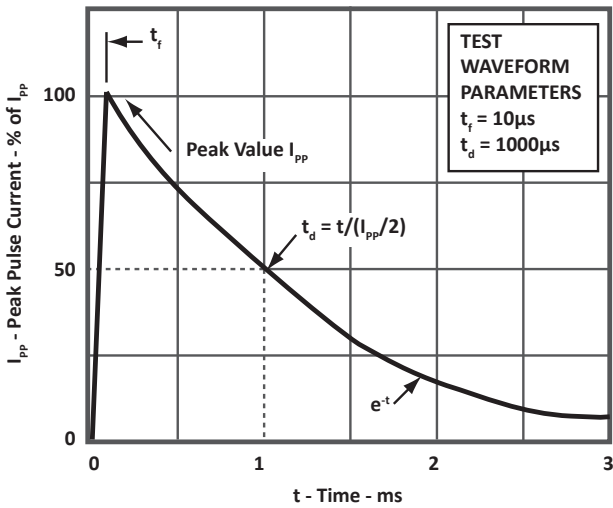
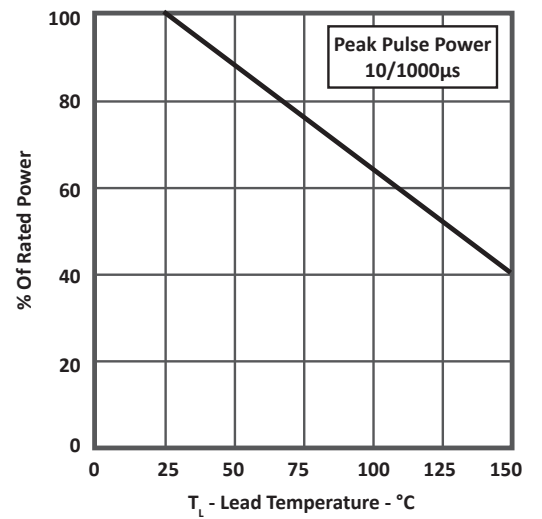


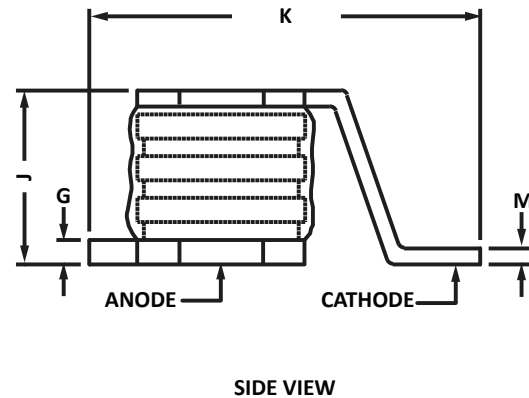
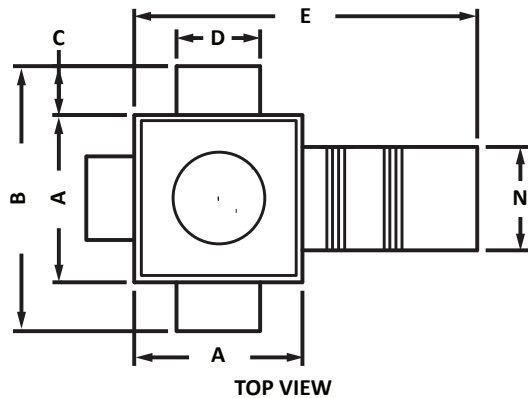
FIGURE 3
POWER DERATING CURVE



SMD-15 PACKAGE INFORMATION

PACKAGE OUTLINE DIMENSIONS

DIM	MILLIMETERS		INCHES	
	MIN	MAX	MIN	MAX
A	5.15	5.50	0.197	0.217
B	8.10	8.25	0.319	0.325
C	1.40	1.55	0.055	0.061
D	2.45	2.65	0.096	0.104
E	10.25	11.05	0.405	0.435
G	0.70	0.80	0.026	0.034
J	5.08	5.59	0.200	0.220
K	11.75	12.62	0.463	0.497
M	0.42	0.58	0.017	0.023
N	3.15	3.45	0.124	0.136

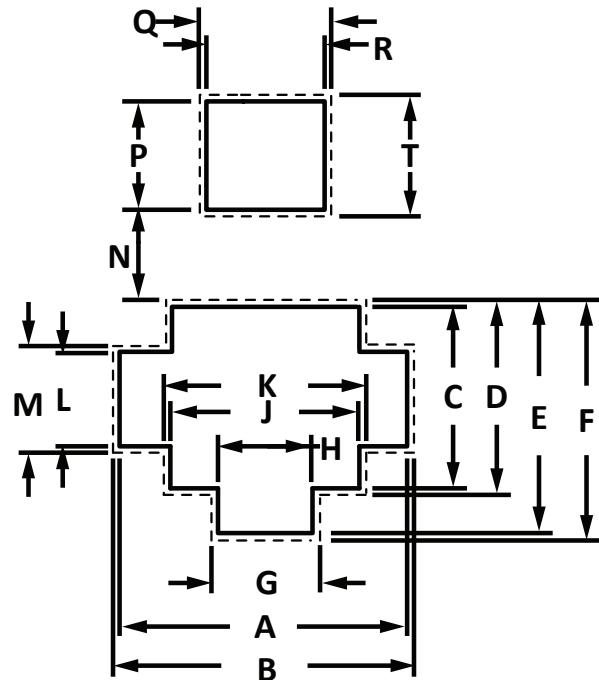


SMD-15 PACKAGE INFORMATION

SOLDER PAD OUTLINE DIMENSIONS

DIM	MILLIMETERS		INCHES	
	MIN	MAX	MIN	MAX
A	8.35	8.45	0.329	0.333
B	8.55	8.65	0.337	0.341
C	5.35	5.45	0.211	0.215
D	5.55	5.65	0.219	0.222
E	6.85	6.95	0.270	0.274
F	7.05	7.15	0.278	0.281
G	2.95	3.05	0.116	0.120
H	2.75	2.85	0.108	0.112
J	5.35	5.45	0.211	0.215
K	5.55	5.65	0.219	0.222
L	2.75	2.85	0.108	0.112
M	2.95	3.05	0.116	0.120
N	2.45	2.55	0.096	0.100
P	3.63	3.73	0.143	0.147
Q	3.95	4.05	0.156	0.159
R	3.55	3.65	0.140	0.144
T	4.06	4.19	0.160	0.165

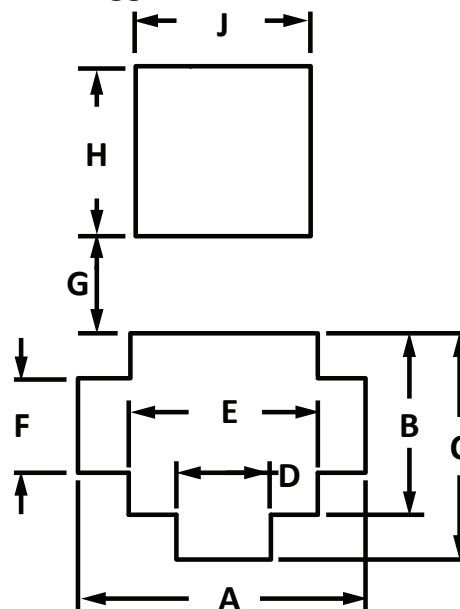
Suggested Solder Pad



SOLDER PRINT OUTLINE DIMENSIONS

DIM	MILLIMETERS		INCHES	
	MIN	MAX	MIN	MAX
A	5.75	5.85	0.226	0.23
B	4.15	4.25	0.163	0.167
C	4.95	5.05	0.195	0.199
D	1.55	1.65	0.061	0.065
E	4.15	4.25	0.163	0.167
F	1.55	1.65	0.061	0.065
G	2.65	2.75	0.104	0.108
H	4.05	4.15	0.159	0.163
J	4.05	4.15	0.159	0.163

Suggest Solder Print



COMPANY INFORMATION

COMPANY PROFILE

In business more than 20 years, ProTek Devices™ is a privately held semiconductor company. The company offers a product line of overvoltage protection and overcurrent protection components. These include transient voltage suppressor array (TVS arrays) avalanche breakdown diode, steering diode TVS array and electronics SMD chip fuses. These components deliver circuit protection in electronic systems from numerous overvoltage and overcurrent events. They include lightning; electrostatic discharge (ESD); nuclear electromagnetic pulses (NEMP); inductive switching; and electromagnetic interference (EMI) / radio frequency interference (RFI). ProTek Devices also offers high performance interface and linear products. They include analog switches; multiplexers; LED drivers; LED wafer die for ESD protection; audio control ICs; RF and related high frequency products.

CONTACT US

Corporate Headquarters

2929 South Fair Lane
Tempe, Arizona 85282
USA

By Telephone

General: 602-431-8101
Sales: & Marketing: 602-414-5109
Customer Service: 602-414-5114
Product Technical Support: 602-414-5107

By Fax

General: 602-431-2288

By E-mail:

Asia Sales: asiasales@protekdevices.com
Europe Sales: europesales@protekdevices.com
U.S. Sales: ussales@protekdevices.com
Distributor Sales: distysales@protekdevices.com
Customer Service: service@protekdevices.com
Technical Support: support@protekdevices.com

ProTek Devices (Asia Pacific) Pte. Ltd.

8 Ubi Road 2, #06-19
Zervex
Singapore - 408538
Tel: +65-67488312
Fax: +65-67488313

Web

www.protekdevices.com

COPYRIGHT © ProTek Devices 2014 - This literature is subject to all applicable copyright laws and is not for resale in any manner.

SPECIFICATIONS: ProTek reserves the right to change the electrical and or mechanical characteristics described herein without notice.

DESIGN CHANGES: ProTek reserves the right to discontinue product lines without notice and that the final judgement concerning selection and specifications is the buyer's and that in furnishing engineering and technical assistance. ProTek assumes no responsibility with respect to the selection or specifications of such products. ProTek makes no warranty, representation or guarantee regarding the suitability of its products for any particular purpose, nor does ProTek assume any liability arising out of the application or use of any product or circuit and specifically disclaims any and all liability without limitation special, consequential or incidental damages.

LIFE SUPPORT POLICY: ProTek Devices products are not authorized for use in life support systems without written consent from the factory.