

MDL GPS/N-3V0 HRS UFL ϕ 1.13 37mm GPS355N-S3-00-A

1. Application:

This application shall apply for antenna unit which shall be used with an engine for an automobile.(for impedance 50 Ω)

2. Appearance:

Antenna Unit (with radome , connector , and cable – refer to an attached drawing)

Dimensions	34.00*18.55*6.9mm	;	Radome	#N
Weight	7.5 \pm 1 g	;	Connector	HRS UFL
Color	Gray	;	Cable	ϕ 1.13 37mm
PCB	lead free			

3. Operating Condition:

Temperature -40 to +90 $^{\circ}$ C

4. Storage Condition:

Temperature -40 to +90 $^{\circ}$ C
Humidity 65 \pm 20 % RH

5. Electrical Specification:

* All value are defined at 25 \pm 15 $^{\circ}$ C , 65 \pm 20 % RH, power handling 1 u watt, air pressure 960 \pm 100 HPA unless otherwise noted.

* Patch characteristics are measured with test ground plane in an anechoic chamber.

■ Patch Specification.

Characteristics	Specification
Center Frequency	1575.42 \pm 2 MHz (For test housing)
Bandwidth (10dB return loss)	10 MHz min
Gain at Zenith	0 dBic typ
Axial Ratio at Zenith	3.0dB typ
Gain at 10 $^{\circ}$ elevation	- 5 dBic typ
Polarization	R.H.C.P

■ Filter/LNA Specification.

Characteristics	Specification
Center Frequency	1575.42 \pm 1.023 MHz
Gain	30 \pm 2dB (at 3.0 \pm 0.1V)
Noise Figure	2.1 dB typ (Set SAW in front of LNA)
Output V.S.W.R	2.0 max
Current	6.0 \pm 2 mA (at 3.0 \pm 0.1V)

■ Overall Specification. (Through Antenna, LNA, without cable loss)

Characteristics	Specification
Center Frequency	1575.42 \pm 1.023 MHz (for specified ground plane)
Gain at Zenith	30 dBic typ (for specified ground plane)
Output Impedance	50ohm
Output VSWR	2.0 max
Operation Voltage	3.0 \pm 0.3 V
Current	6.0 \pm 2 mA (DC=3.0 \pm 0.1V)

UNLESS OTHER SPECIFIED TOLERANCES ON :

X= \pm X.X= \pm X.XX= \pm
 ANGLES = \pm HOLE DIA = \pm



INPAQ TECHNOLOGY CO., LTD.

SCALE : N/A

UNIT : mm

DRAWN BY : 巫冠賢

CHECKED BY : 楊奇峰

DESIGNED BY : 嚴勝龍

APPROVED BY : 曾源標

THIS DRAWINGS AND SPECIFICATIONS ARE THE PROPERTY OF INPAQ TECHNOLOGY CO.,LTD.AND SHALL NOT BE REPRODUCED OR USED AS THE BASIS FOR THE MANUFACTURE OR SALE OF APPARATUS OR DEVICES WITHOUT PERMISSION

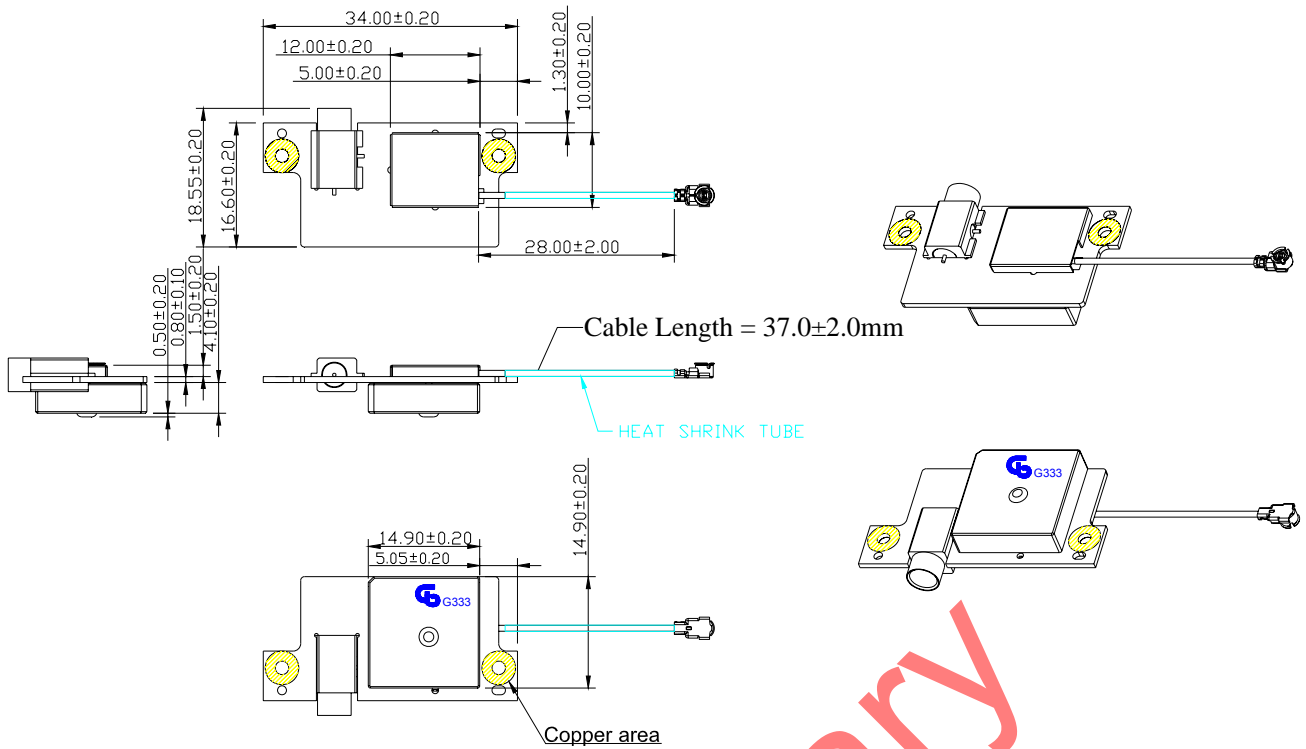
TITLE : MDL GPS/N-3V0 HRS UFL ϕ 1.13 37mm
GPS355N-S3-00-A

DOCUMENT NO.

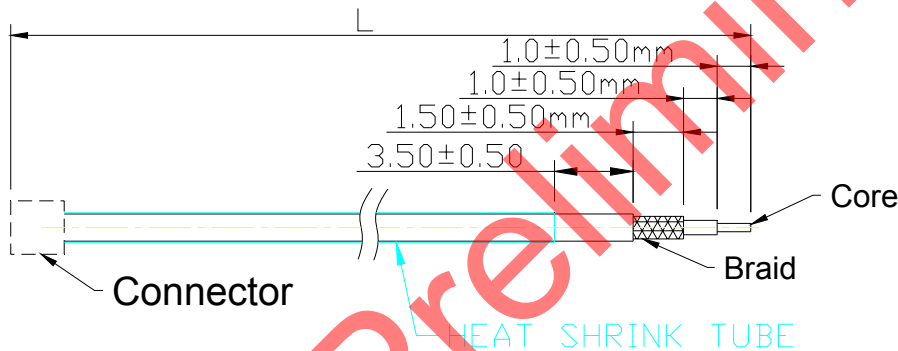
ENS000029390

SPEC REV.
P1

6. Antenna Dimensions: (unit: mm)



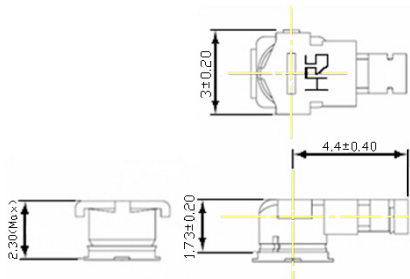
7. Cable Length:



Connector : HRS UFL , Cable : RF Cable 1.13 (GRAY) , Heat Shrink Tube : 透明(Color)

L : 37±2mm , unit : mm

connector appearance : HRS UFL



UNLESS OTHER SPECIFIED TOLERANCES ON :

X± X.X± X.XX±
 ANGLES = ± HOLE DIA = ±



INPAQ TECHNOLOGY CO., LTD.

SCALE : N/A

UNIT : mm

DRAWN BY : 巫冠賢

CHECKED BY : 楊奇峰

DESIGNED BY : 嚴勝龍

APPROVED BY : 曾源標

THIS DRAWINGS AND SPECIFICATIONS ARE THE PROPERTY OF INPAQ TECHNOLOGY CO.,LTD.AND SHALL NOT BE REPRODUCED OR USED AS THE BASIS FOR THE MANUFACTURE OR SALE OF APPARATUS OR DEVICES WITHOUT PERMISSION

TITLE : MDL GPS/N-3V0 HRS UFL φ 1.13 37mm
 GPS355N-S3-00-A

DOCUMENT NO.

ENS000029390

SPEC REV.

P1