

MDL GPS/N-3V0 I-PEX MHF Φ 0.8 60mm GPS65N-S3-01-A

1. Application:

This application shall apply for antenna unit which shall be used with an engine for an automobile.(for impedance 50)

2. Appearance:

Antenna Unit (with radome , connector , and cable – refer to an attached drawing)

Dimensions 22.4*16*6.85 mm ; Radome #N
 Weight 6 ±1 g (typ) ; Connector I-PEX MHF
 Ant Color silver ; Cable RF 0.8 60mm
 PCB lead free

3. Operating Condition:

Temperature -40 to +90 °C
 Humidity 10 to 95% RH

4. Storage Condition:

Temperature -40 to +90 °C
 Humidity 10 to 95% RH

5. Electrical Specification:

* All value are defined at 25±15 °C ,65±20 % RH, power handling 1 u watt,air pressure 960 ± 100 HPA unless otherwise noted.

* Patch characteristics are measured with test ground plane in an anechoic chamber.

5-1 Patch

Characteristics	Specification
Center Frequency	1575.42±1.5 MHz (when covered with a radome on LNA ground plane.)
Bandwidth (10dB return loss)	10 MHz min
Gain at Zenith	1.0 dBic typ(for ground)
Gain at 10° elevation	-5 dBic typ(for ground)
Polarization	R.H.C.P
Axial Ratio	3.0dB typ(for PDA mechanical & ground)

UNLESS OTHER SPECIFIED TOLERANCES ON :

X = ± X.X = ± X.XX =
 ANGLES = ± HOLE DIA = ±



INPAQ TECHNOLOGY CO., LTD.

SCALE :

UNIT : mm

DRAWN By : 蕭富美 Hsiao

CHECKED BY: 蔡岳霖

THIS DRAWINGS AND SPECIFICATIONS ARE THE PROPERTY OF INPAQ TECHNOLOGY CO.,LTD.AND SHALL NOT BE REPRODUCED OR USED AS THE BASIS FOR THE MANUFACTURE OR SALE OF APPARATUS OR DEVICES WITHOUT PERMISSION

DESIGNED BY : 邱致歆 Chiu

APPROVED BY : 曾明燦

TITLE : MDL GPS/N-3V0 I-PEX MHF 0.8 60mm
 GPS65N-S3-01-A

DOCUMENT NO.

ENS000006610

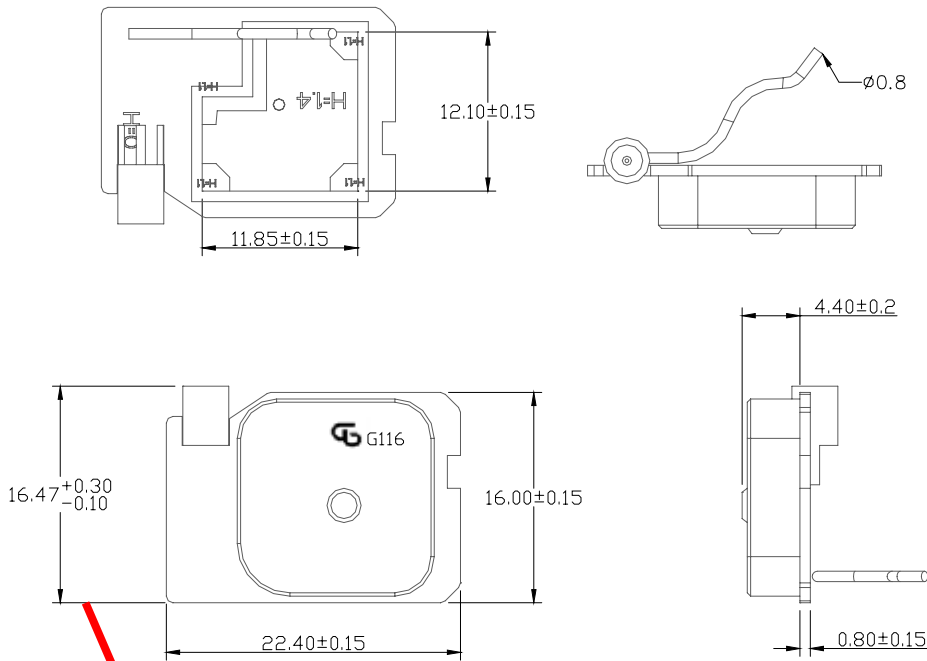
PAGE REV.

A0

5-2 Filter / LNA

Characteristics	Specification
Center Frequency	1575.42±1.023 MHz
Gain	17 ±3dB (DC=3.0v)
Noise Figure	1.4 dB TYP(DC=3.0v)
Output V.S.W.R	2 TYP(DC=3.0v)
Voltage	3.0 ±0.3V
Current(DC= 3.0±0.01V)	3.5 ±1mA

6. Antenna Dimensions:



重點尺寸

UNIT:mm



接頭開口朝 PATCH 方向

UNLESS OTHER SPECIFIED TOLERANCES ON :
 X = ± X.X = ± X.XX =
 ANGLES = ± HOLE DIA = ±



INPAQ TECHNOLOGY CO., LTD.

SCALE :

UNIT : mm

DRAWN By : 蕭富美 Hsiao

CHECKED BY: 蔡岳霖

DESIGNED BY : 邱致歆 Chiu

APPROVED BY : 曾明燦

THIS DRAWINGS AND SPECIFICATIONS ARE THE PROPERTY OF INPAQ TECHNOLOGY CO.,LTD.AND SHALL NOT BE REPRODUCED OR USED AS THE BASIS FOR THE MANUFACTURE OR SALE OF APPARATUS OR DEVICES WITHOUT PERMISSION

TITLE : MDL GPS/N-3V0 I-PEX MHF 0.8 60mm
 GPS65N-S3-01-A

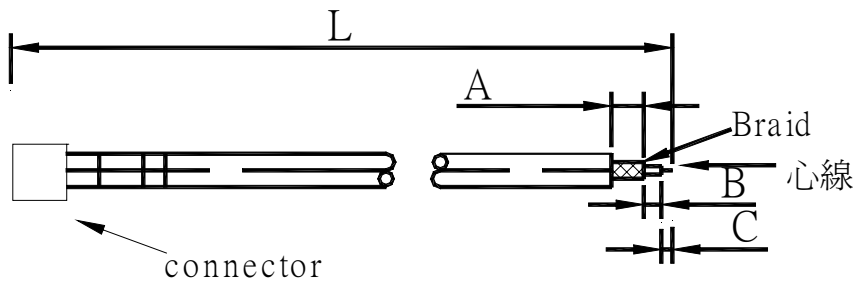
DOCUMENT NO.

ENS000006610

PAGE REV.

A0

7.Cable Length:



Connector : I-PEX MHF , Cable : RF Cable 0.8 (灰色)

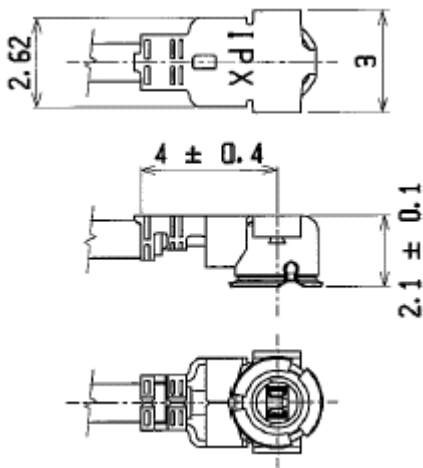
L : 60 ± 3 mm

A : 1.5 ± 0.5 mm

B : 1 ± 0.5 mm

C : 1 ± 0.5 mm

CONNECTOR: I-PEX MHF (此為示意圖，其圖一內應有線徑標示"08")



UNLESS OTHER SPECIFIED TOLERANCES ON :

X = ± X.X = ± X.XX =

ANGLES = ± HOLE DIA = ±



INPAQ TECHNOLOGY CO., LTD.

SCALE :

UNIT : mm

DRAWN By : 蕭富美 Hsiao

CHECKED BY: 蔡岳霖 PET

DESIGNED BY : 邱致歆 Chiu

APPROVED BY : 曾明燦

THIS DRAWINGS AND SPECIFICATIONS ARE THE PROPERTY OF INPAQ TECHNOLOGY CO.,LTD.AND SHALL NOT BE REPRODUCED OR USED AS THE BASIS FOR THE MANUFACTURE OR SALE OF APPARATUS OR DEVICES WITHOUT PERMISSION

TITLE : MDL GPS/N-3V0 I-PEX MHF 0.8 60mm
GPS65N-S3-01-A

DOCUMENT
NO.

ENS000006610

PAGE REV.

A0

8.Appendiy:

(1) PATCH Marking

NO.:116

FOR: OSCAR99A

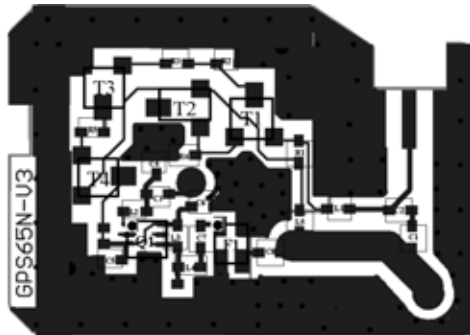
(2) LNA Version:

a.PCB: PCB GPS65N-V3

b.BOM:

	數量	廠牌
R	5	江軍
L	5	Murata
C	8	Murata
F	1	佳普
Tr	5	時代益華/通盛
Cable	1	Showa
Connector	1	HRS

PCB 圖面



UNLESS OTHER SPECIFIED TOLERANCES ON :

X = ± X.X = ± X.XX =

ANGLES = ± HOLE DIA = ±

SCALE :

UNIT : mm

DRAWN By : 蕭富美 Hsiao

CHECKED BY: 蔡岳霖 PET

DESIGNED BY : 邱致歆 Chiu

APPROVED BY : 曾明燦

TITLE : MDL GPS/N-3V0 I-PEX MHF 0.8 60mm
GPS65N-S3-01-A



INPAQ TECHNOLOGY CO., LTD.

THIS DRAWINGS AND SPECIFICATIONS ARE THE PROPERTY OF INPAQ TECHNOLOGY CO.,LTD.AND SHALL NOT BE REPRODUCED OR USED AS THE BASIS FOR THE MANUFACTURE OR SALE OF APPARATUS OR DEVICES WITHOUT PERMISSION

DOCUMENT
NO.

ENS000006610

PAGE REV.

A0