

DAM-H5-G-N0-000-18-21 工规

1. Explanation of Part Number

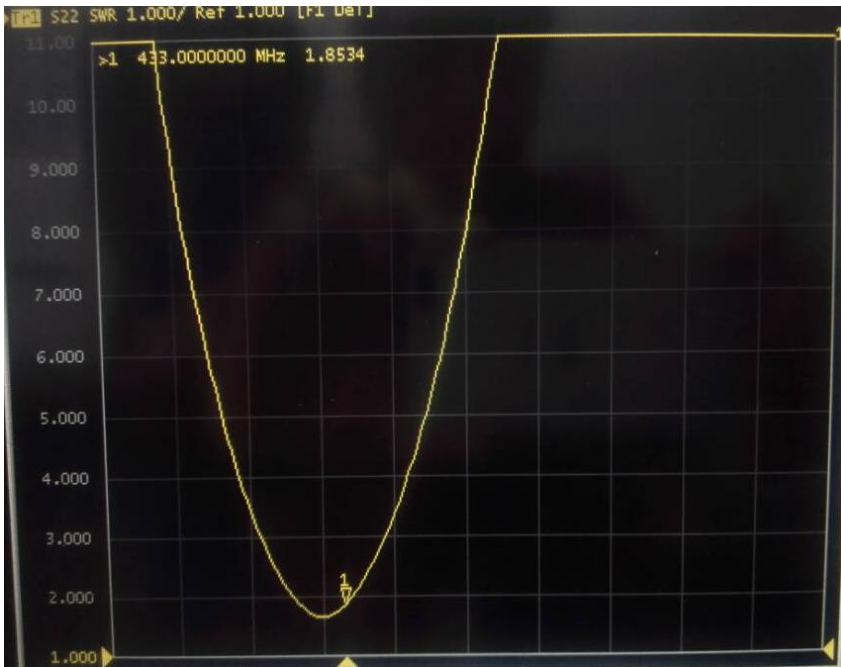
DAM - H5 - G - N0 - 000 - 18 - 21
 (1) (2) (3) (4) (5) (6) (7)

- (1) Product type : DAM-Dipole Antenna Module
 - (2) Appearance Series : H5
 - (3) Frequency :G=433MHZ
 - (4) Coaxial Cable Specification : N0=No Cable
 - (5) Coaxial Cable Length : 000=0mm
 - (6) Connector Types :18=SMA J
 - (7) Suffix for special requirements : 21=Suffix No
- ※ RoHS Compliant

2. Electrical properties:

Item	Property
Frequency Range	433 MHz,
Impedance	50 Ω (Typ.)
VSWR	2.5 Max
Peak Gain	1.0±0.5 dBi

3. VSWR:



UNLESS OTHER SPECIFIED TOLERANCES ON:

X=± X.X=± X.XX= HOLE DIA=±

SCALE: N/A UNIT: mm

DRAWN BY: 吴建涛 CHECKED BY: 张涛

DESIGNED BY: 张翔 APPROVED BY: 徐克文

TITLE: DAM-H5-G-N0-000-18-21 工规



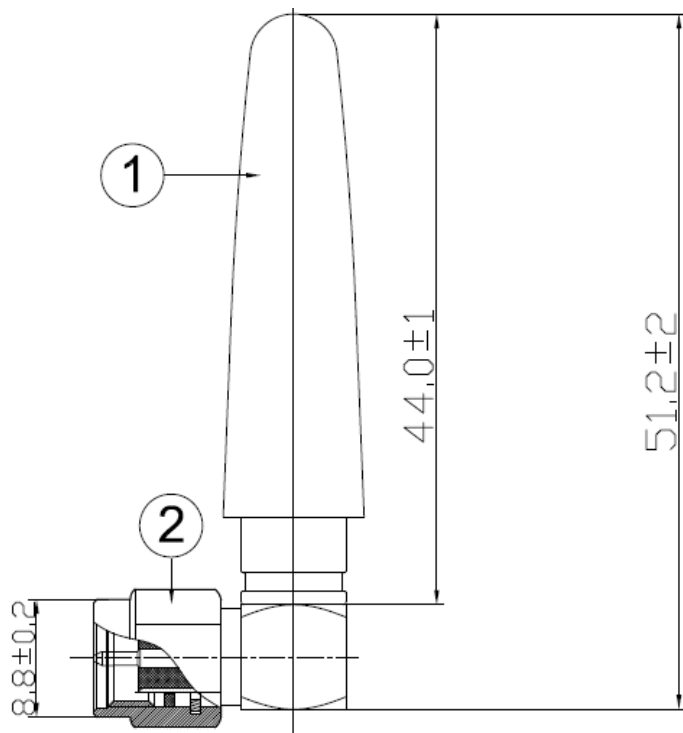
INPAQ TECHNOLOGY CO., LTD.

THIS DRAWINGS AND SPECIFICATIONS ARE THE PROPERTY OF INPAQ TECHNOLOGY CO.,LTD.AND SHALL NOT BE REPRODUCED OR USED AS THE BASIS FOR THE MANUFACTURE OR SALE OF APPARATUS OR DEVICES WITHOUT PERMISSION

DOCUMENT NO.

SPEC REV.
P0

4. Mechanical properties



ITEM	DESCRIPTION	MATERIAL SPECIFICATION	Finish	QTY	UNIT
1	BODY-1	TPEE	BLACK	1	PCS
2	SMA J(公头公针)	Cu Plated Gold	GOLD	1	PCS

5. Reliable test:

Test Item	Procedure	Requirement
1. Visual inspection and Dimension Check	Applicable methods using x5 magnification	follow specification
2. Rapid Changing of Temperature	-40°C (30minutes) to 90°C (30minutes); 24 cycles	After 2 hours recovery: 1. no visible damage 2. Freq. Tol.: < ±5%
3. Damp Heat	24 hours at 60°C; 90 ~ 95% RH	After 2 hours recovery: 1. no visible damage 2. Freq. Tol. : < ±5%
4. Endurance	24 hours at 90°C	After 2 hours recovery: 1. no visible damage 2. Freq Tol.: < ±5%

UNLESS OTHER SPECIFIED TOLERANCES ON:

X=±

X.X=±

X.XX=

ANGLES

HOLE DIA=±

SCALE: N/A

UNIT: mm

DRAWN BY: 吴建涛

CHECKED BY: 张涛

DESIGNED BY: 张翔

APPROVED BY: 徐克文



INPAQ TECHNOLOGY CO., LTD.

THIS DRAWINGS AND SPECIFICATIONS ARE THE PROPERTY OF INPAQ TECHNOLOGY CO.,LTD.AND SHALL NOT BE REPRODUCED OR USED AS THE BASIS FOR THE MANUFACTURE OR SALE OF APPARATUS OR DEVICES WITHOUT PERMISSION

TITLE: DAM-H5-G-N0-000-18-21 工规

DOCUMENT NO.

SPEC REV.

P0