

DAM-D2-H-N0-000-04-02

1. Explanation of Part Number

DAM – **D2** - **H** – **N0** - **000** - **04** - **02**
 (1) (2) (3) (4) (5) (6) (7)

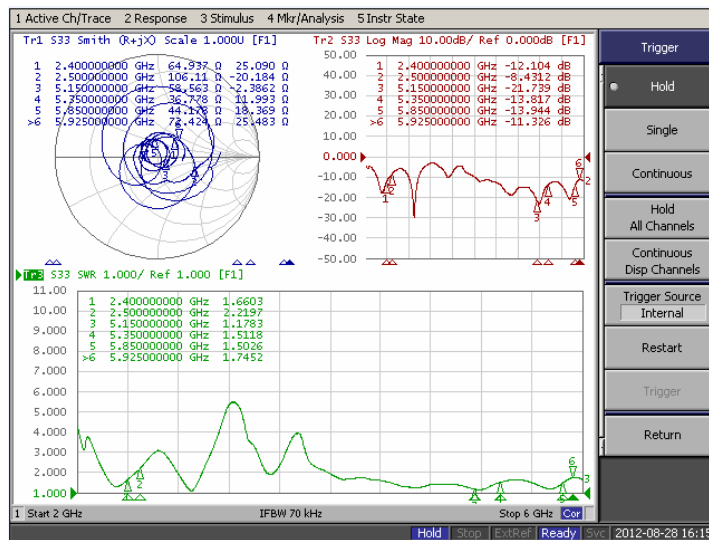
- (1) Product type: DAM-Dipole Antenna Module
- (2) Appearance Series: D2
- (3) Frequency: H=2.4G-2.5G, 5.1G-5.925G
- (4) Coaxial Cable Specification: N0: without cable
- (5) Coaxial Cable Length: 000=Cable Length:0
- (6) Connector Types: 04=SMA RP PLUG
- (7) Suffix for special requirements: 02=Without Cable

※ RoHS Compliant

2. Electrical properties:

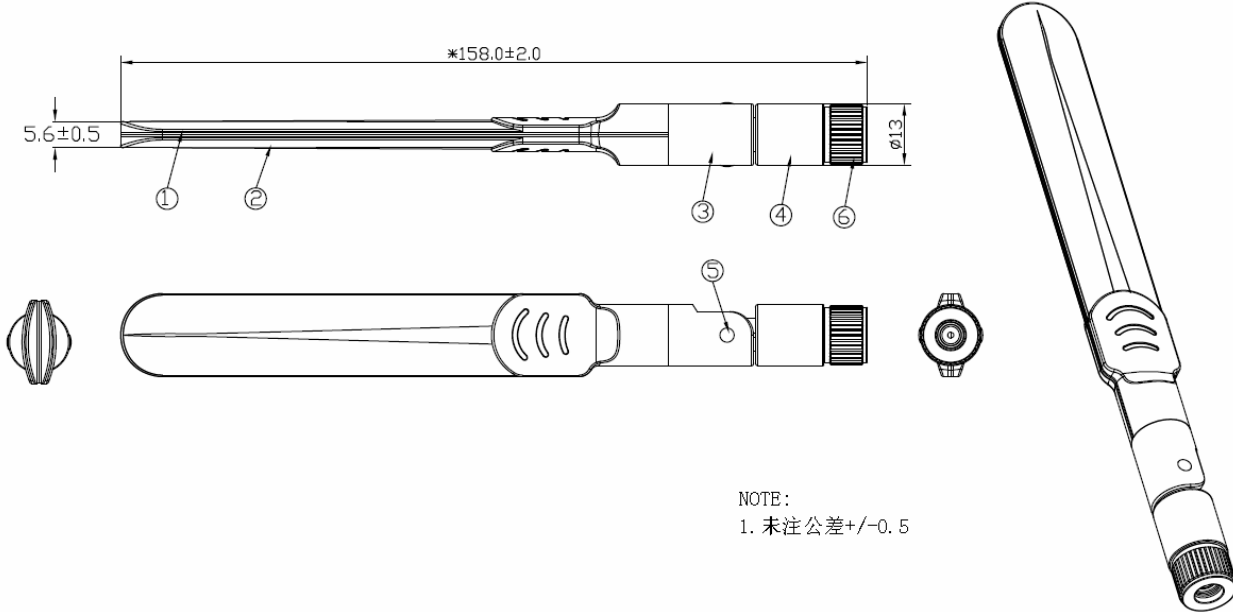
Item	Property
Frequency Range	2.4G-2.5G, 5.1G-5.925G
Impedance	50 Ω (Typ.)
Antenna Gain	2.4G=3+/-0.5 dBi 5.8G=4+/-0.5 dBi
VSWR	2.5 max.

3. Test Data



Frequency (GHz)	2.4	2.5	5.15	5.35	5.85	5.925
VSWR	1.66	2.21	1.17	1.51	1.50	1.74

4. Mechanical properties:



No	Description	Material	Finish
1	BASE CASE	ABS	BLACK
2	TOP CASE	ABS	BLACK
3	CONNECT CASE	PA-ABS	BLACK
4	CONNECT CASE HOLE	PC-PBT	BLACK
5	PIN	ABS	BLACK
6	Connector : SMA RP PLUG	CU	BLACK

5. Reliable test:

Test Item	Procedure	Requirement
1. Visual inspection and dimension check	Applicable methods using x 5 magnification	Follow specification
2. Rapaid changing of temperature	-40°C (30 minutes) to 90°C (30 minnutes) ; 24 cycles	After 2 hours recovery 1. No visible damage 2. Freq. Tol.:<± 5%
3. Damp Heat	24 hours at 60°C; 90 ~ 95% RH	After 2 hours recovery 1. No visible damage 2. Freq. Tol.:<± 5%
4. Endurance	24 hours at 90°C	After 2 hours recovery 1. No visible damage 2. Freq. Tol.:<± 5%