

DAM-P4-D-R2-300-08-00

1. Explanation of Part Number

DAM - P4 - D - R2 - 300 - 08 - 00
 (1) (2) (3) (4) (5) (6) (7)

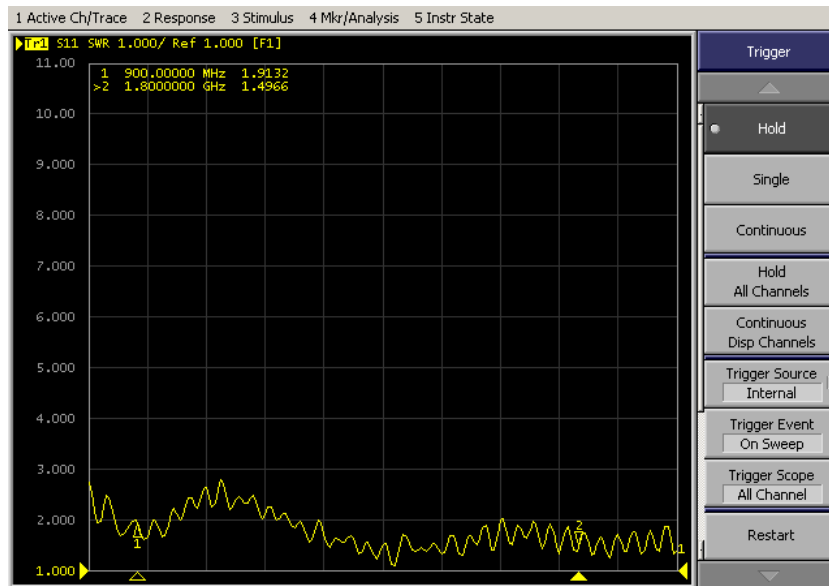
- (1) Product type : DAM-Dipole Antenna Module
- (2) Appearance Series : P4
- (3) Frequency : D=824MHz~960MHz,1710MHz~2170MHz
- (4) Coaxial Cable Specification : R2 Cable
- (5) Coaxial Cable Length : 3000 mm
- (6) Connector Types :08= SMA connector
- (7) Suffix for special requirements : 00=single cable

✳ **RoHS Compliant**

2. Electrical properties:

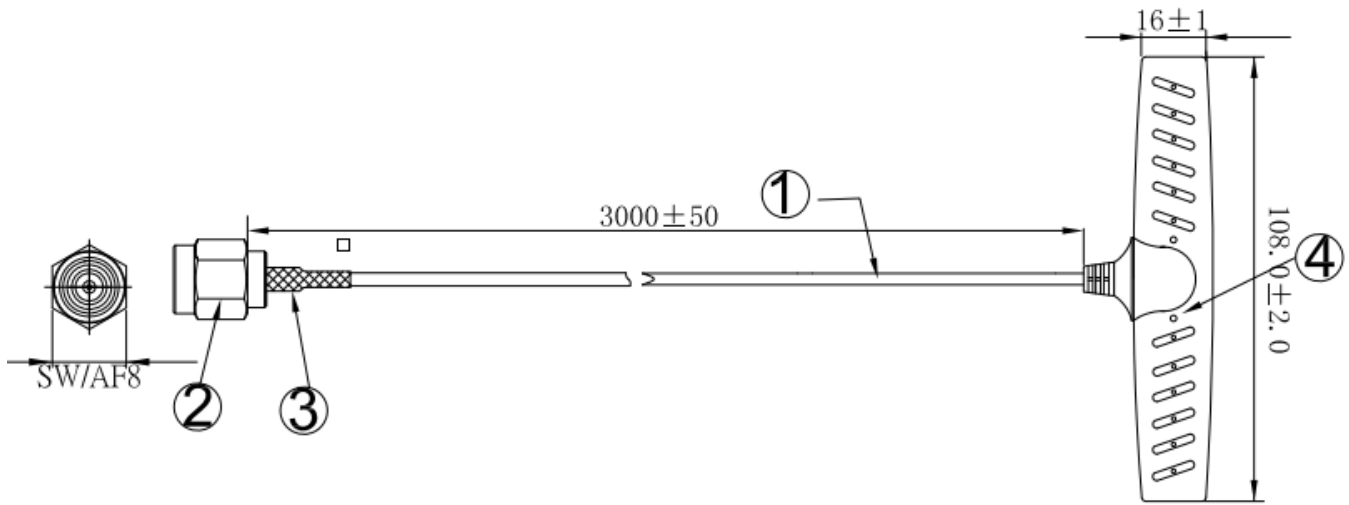
Item	Property
Frequency Range	824MHz~960MHz,1710MHz~2170MHz
Impedance	50 Ω (Typ.)
VSWR	2.5 max.
Peak Gain	3.0 dBi (Typ.)

3. Test Data



Frequency	900	1800
VSWR	1.91	1.49

4. Mechanical properties:



NO.	Name	Material	Finished	Q"ty
1	Cable	RG-174	Black	1
2	SMA	Cu Au plated 180 Male		1
3	Shrink tub	3.5*15	Black	1
4	Body	PVC	Black	1

5. Environmental Characteristics:

No	Item	Test Condition	Specification
4-1	High Temperature/Humidity	1. Temperature : $+60\pm 2^{\circ}\text{C}$. 2. Humidity : 90~95%RH 3. Time : 24hrs	1. Normal functional test must be satisfied after the test. 2. No material deformation is allowed.
4-2	Low Temperature/Humidity	1. Temperature : $-20\pm 2^{\circ}\text{C}$. 2. Humidity : 0%RH 3. Time : 24hrs	
4-3	High Temperature/Humidity Storage	1. Temperature : $+80\pm 2^{\circ}\text{C}$. 2. Humidity : 90~95%RH 3. Time : 88hrs	
4-4	Low Temperature/Humidity Storage	1. Temperature : $-40\pm 2^{\circ}\text{C}$. 2. Humidity : 0%RH 3. Time : 28hr	
4-5	Temperature Cycle Operating Test	1. Temperature : $-40\sim +75^{\circ}\text{C}$ 2. Duration : <ul style="list-style-type: none"> ● 88 Hours, ● 45min/dwelling@ -40°C, ● 10°C per min./transition from -40°C to 75°C, ● 45min/dwelling@ 75°C, 	
4-6	Temperature Shock Test	1. Temperature : $-40\pm^{\circ}\text{C}\sim +85^{\circ}\text{C}$. 2. Time : 30 minutes/dwelling, 5 minutes/ transition, 24 cycles	