

## DAM-J1-B-N0-000-04-14

### 1. Explanation of Part Number

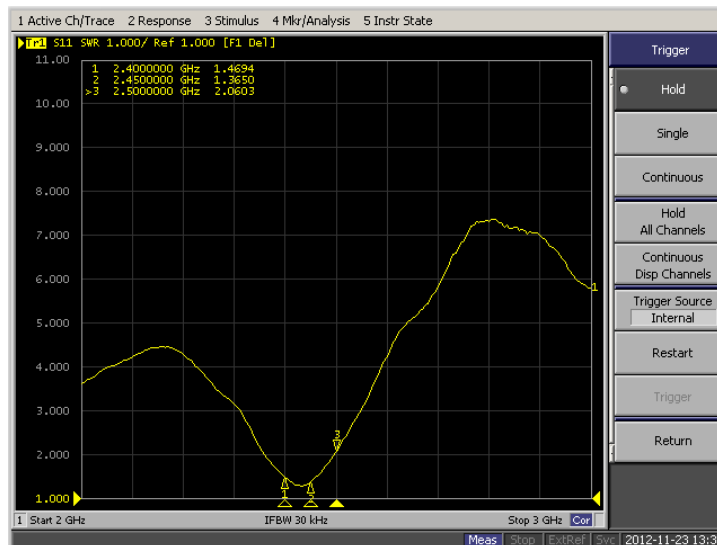
**DAM – J1 - B – N0 - 000 - 04- 14**  
 (1) (2) (3) (4) (5) (6) (7)

- (1) Product type: DAM-Dipole Antenna Module
  - (2) Appearance Series: J1
  - (3) Frequency: B=2.4G-2.5GHz
  - (4) Coaxial Cable Specification: N0: without cable
  - (5) Coaxial Cable Length: 000=Cable Length:0
  - (6) Connector Types: 04=SMA RP PLUG
  - (7) Suffix for special requirements: 14= Peak Gain≥3dBi
- ※ RoHS Compliant

### 2. Electrical properties:

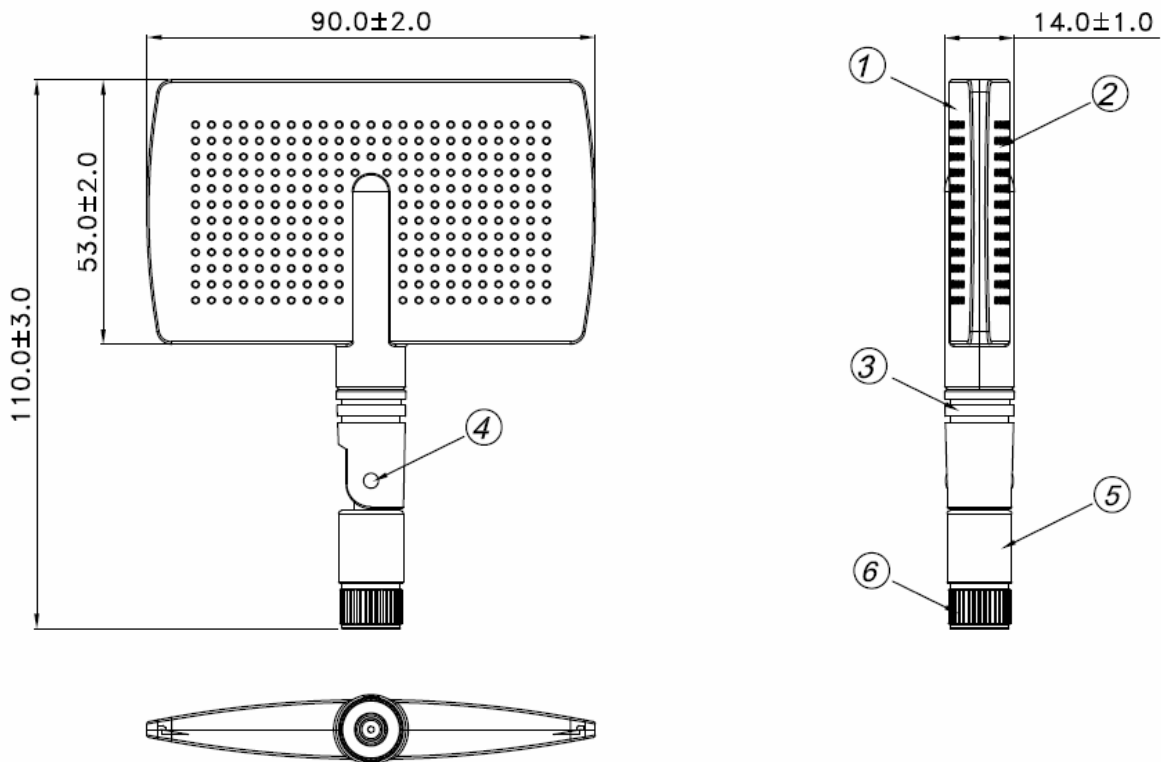
Item	Property
Frequency Range	2.4G-2.5GHz
Impedance	50 Ω (Typ.)
Peak Gain	8.0+/-0.7 dBi
VSWR	2.5 max.
Radiation pattern	Directional

### 3. Test Data



Frequency (GHz)	2.4	2.45	2.5
VSWR	1.46	1.36	2.06

4. Mechanical properties:



No	Description	Material	Finish
1	LEFT COVER	ABS	BLACK
2	RIGHT COVER	ABS	BLACK
3	BODY-1	ABS	BLACK
4	PIN	ABS	BLACK
5	BODY-2	ABS	BLACK
6	Connector ; SMA RP PLUG	CU	BLACK

## 5. Reliable test:

Test Item	Procedure	Requirement
<b>1. Visual inspection and dimension check</b>	Applicable methods using x 5 magnification	Follow specification
<b>2. Rapaid changing of temperature</b>	-40°C (30 minutes) to 90°C (30 minnutes) ; 24 cycles	After 2 hours recovery 1. No visible damage 2. Freq. Tol.:<± 5%
<b>3. Damp Heat</b>	24 hours at 60°C; 90 ~ 95% RH	After 2 hours recovery 1. No visible damage 2. Freq. Tol.:<± 5%
<b>4. Endurance</b>	24 hours at 90°C	After 2 hours recovery 1. No visible damage 2. Freq. Tol.:<± 5%