

# Automotive Antenna

## Specification

Type	AM / FM
Part No	FRR-AF-00-A RRR-AF-00-A

**Product name**

**FRR-AF-00-A**

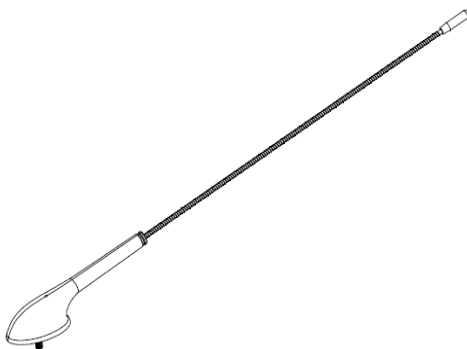
**Appearance**



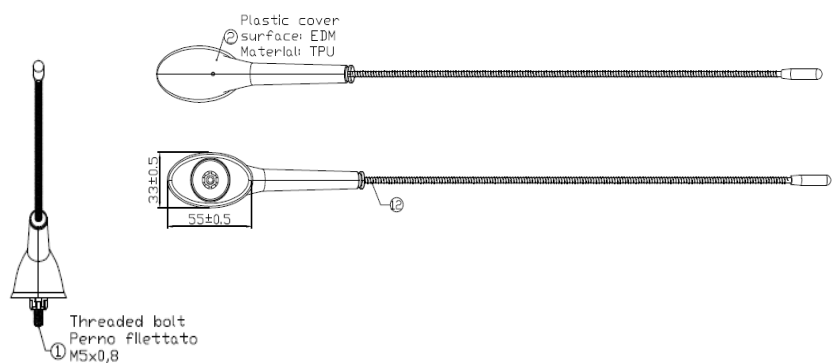
**Specification**

<b>Frequency Range</b>	AM : 520 ~ 1710KHz FM : 87.5 ~ 108MHz
<b>Frequency Response (dB)</b>	-3±2
<b>Polarization</b>	Linear
<b>Impedance(Ω)</b>	75
<b>Cable</b>	NA
<b>V.S.W.R</b>	< 5.0
<b>Operation Supply Voltage (V)</b>	NA
<b>Current (mA)</b>	NA
<b>AM Gain Variation by change of operating Voltage (dB)</b>	NA
<b>AM and FM Gain Variation by change of operating Temperature (dB)</b>	NA
<b>AM Output Noise Voltage (dBuV)</b>	NA
<b>Dimension (mm)</b>	∅:70mm, H:31.5

**ISO View**



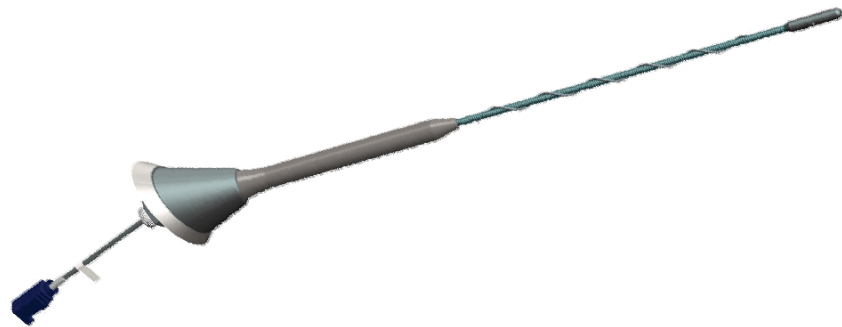
**Antenna**



**Product name**

**RRR-AF-00-A**

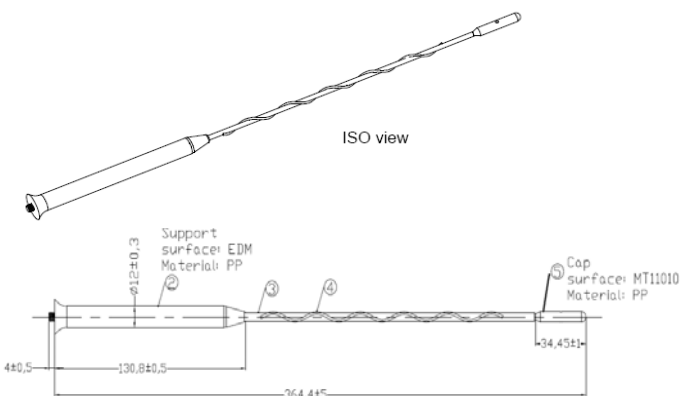
**Appearance**



**Specification**

<b>Frequency Range</b>	AM : 520 ~ 1710KHz FM : 87.5 ~ 108MHz
<b>Frequency Response (dB)</b>	-3±2
<b>Polarization</b>	Linear
<b>Impedance(Ω)</b>	75
<b>Cable</b>	L-3C2VS
<b>V.S.W.R</b>	< 5.0
<b>Operation Supply Voltage (V)</b>	13.0 typ
<b>Current (mA)</b>	15.0 typ
<b>AM Gain Variation by change of operating Voltage (dB)</b>	+/- 1.0
<b>AM and FM Gain Variation by change of operating Temperature (dB)</b>	+/- 1.0
<b>AM Output Noise Voltage (dBuV)</b>	-1 (LW Band), -6 (MW Band)
<b>Dimension (mm)</b>	120 x 39.8 x 11

**Antenna (Rod)**



**Antenna (Base)**

