

# LA1575MK4G-284-11M

## ENGINEERING SPECIFICATION

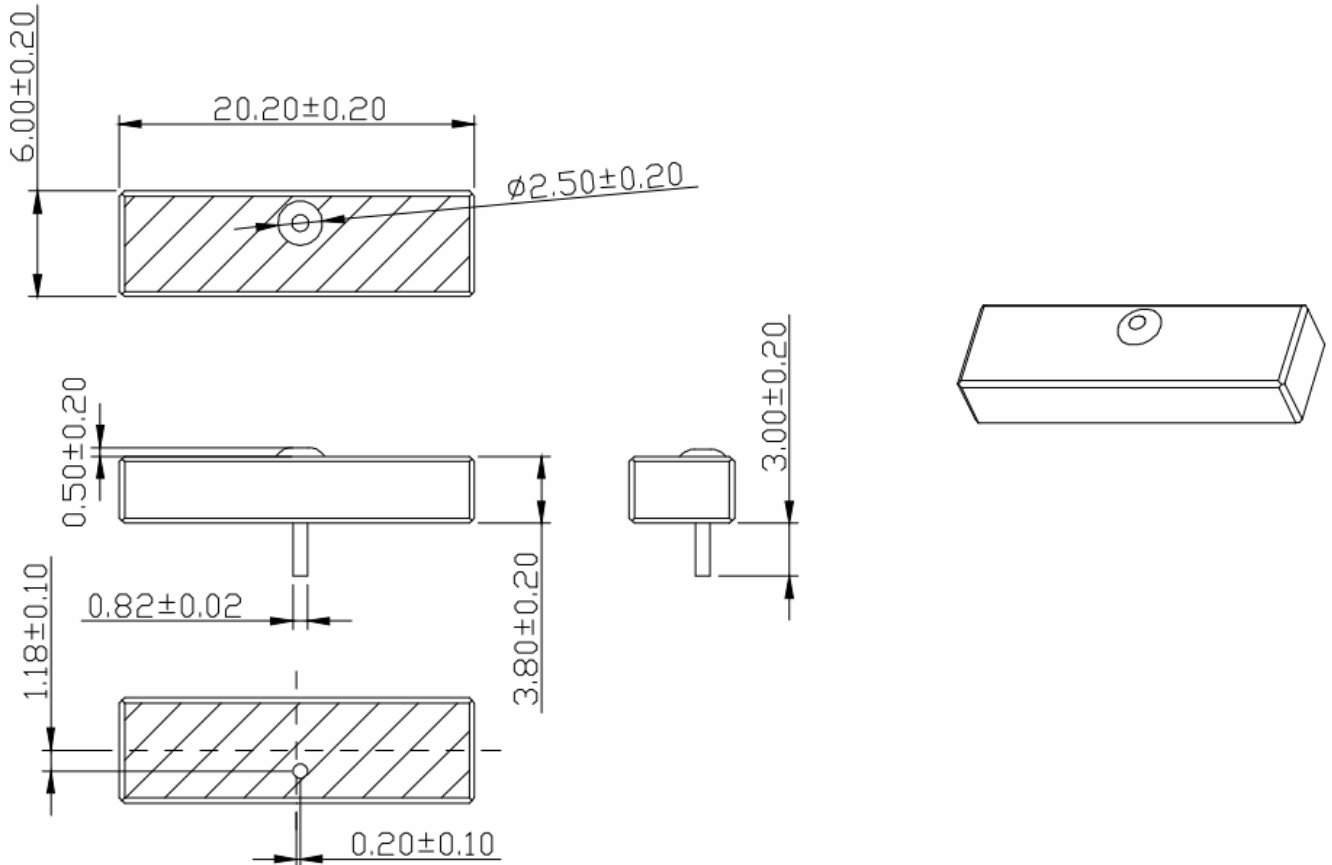
### 1. Typical Electrical Properties

Characteristics	Specification	Unit	Conditions
Center Frequency	1621.6±2	MHz	By Test Ground Plane
Polarization	LP		
S11	< -20	dB	By Test Ground Plane
Frequency Temperature Coefficient	0±20	ppm/°C	-40°C to +85°C

LA1575MK4G-284-11M, G : Green parts (RoHS compliance)

-284 are the code of project number, -11M show of appendix

### 2. Dimension: (Unit: mm)



UNLESS OTHER SPECIFIED TOLERANCES ON :

X=± 0.1      X.X=± 0.1      X.XX=±

ANGLES=±

HOLEDIA=±



INPAQ TECHNOLOGY CO., LTD.

SCALE : N/C

UNIT : mm

DRAWN BY: 穩文涛

CHECKED BY: 杨利

DESIGNED BY: 杨利

APPROVED BY: 杨利

THIS DRAWINGS AND SPECIFICATIONS ARE THE PROPERTY OF INPAQ TECHNOLOGY CO.,LTD.AND SHALL NOT BE REPRODUCED OR USED AS THE BASIS FOR THE MANUFACTURE OR SALE OF APPARATUS OR DEVICES WITHOUT PERMISSION

TITLE : LA1575MK4G-284-11M  
ENGINEERING SPECIFICATION

DOCUMENT NO.

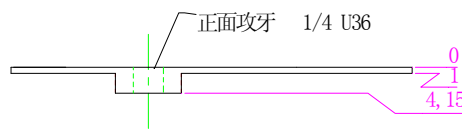
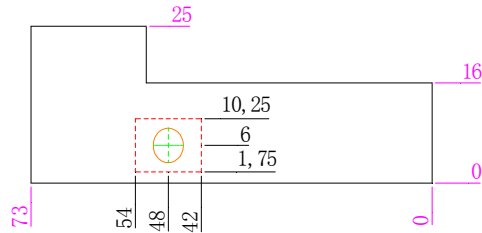
ENS000040820

PAGE REV.  
A0

### 3. Test Condition Ground Plane (合众研创 MD7002)

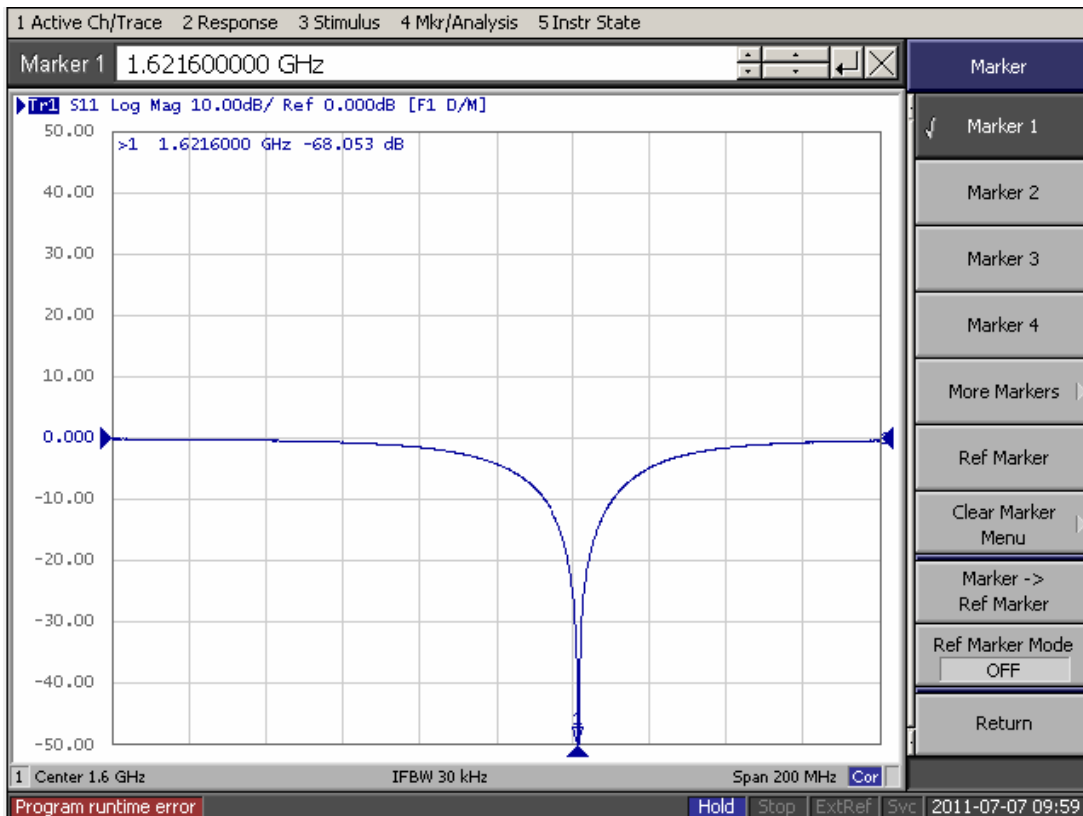
合众研创 MD7002 V0 (K4G-284)  
2011-07-07

正面俯视图,  
虚线部分在  
下方



Unit: mm

### 4. Return Loss Characteristics



UNLESS OTHER SPECIFIED TOLERANCES ON :

X=± 0.1      X.X=± 0.1      X.XX=±  
ANGLES=±      HOLEDIA=±

SCALE : N/C

UNIT : mm

DRAWN BY: 稳文涛

CHECKED BY: 杨利

DESIGNED BY: 杨利

APPROVED BY: 杨利

TITLE : LA1575MK4G-284-11M  
ENGINEERING SPECIFICATION



INPAQ TECHNOLOGY CO., LTD.

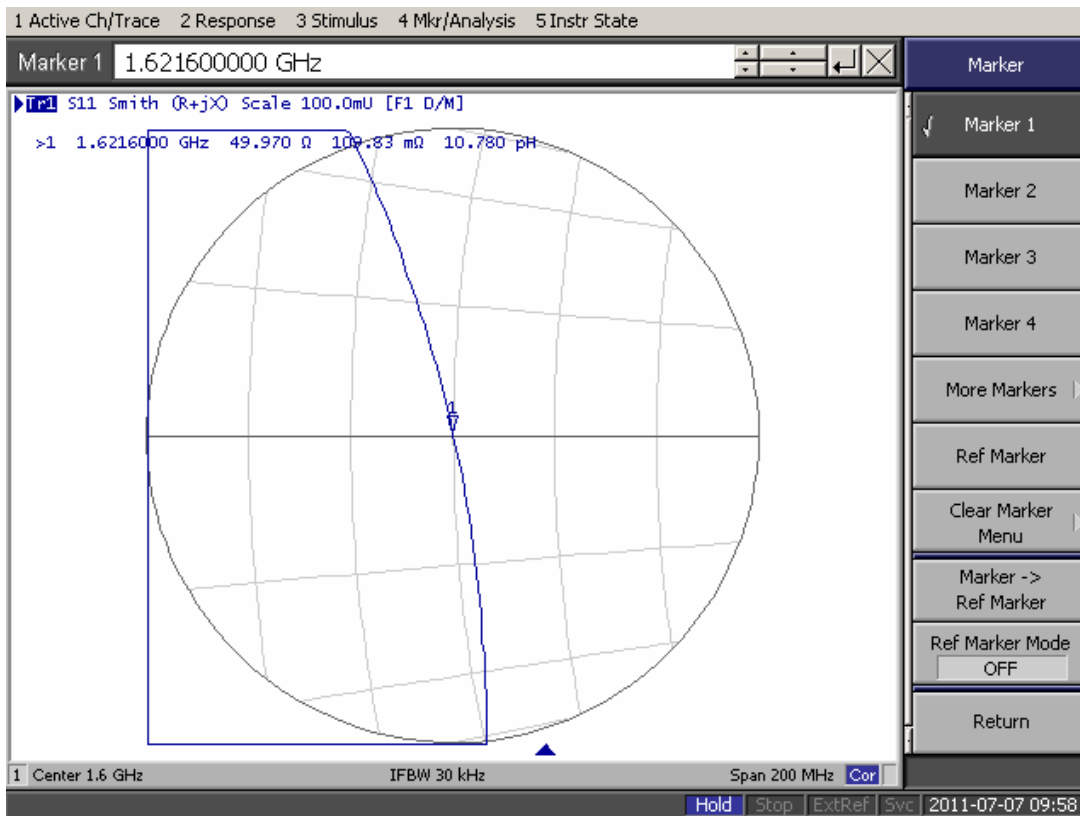
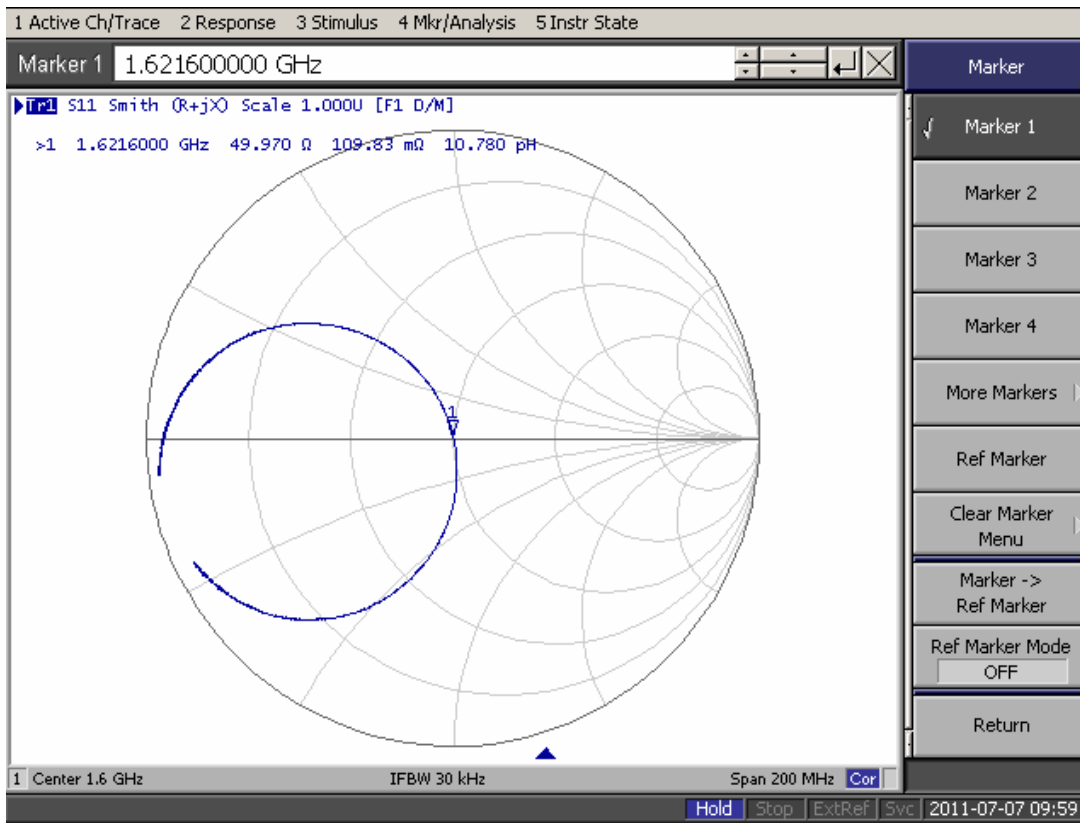
THIS DRAWINGS AND SPECIFICATIONS ARE THE PROPERTY OF INPAQ TECHNOLOGY CO.,LTD.AND SHALL NOT BE REPRODUCED OR USED AS THE BASIS FOR THE MANUFACTURE OR SALE OF APPARATUS OR DEVICES WITHOUT PERMISSION

DOCUMENT NO.

ENS000040820

PAGE REV.  
A0

## 5. Measured Input Impedance on a Smith Chart



UNLESS OTHER SPECIFIED TOLERANCES ON :

X=± 0.1      X.X=± 0.1      X.XX=±

ANGLES=±      HOLEDIA=±

SCALE : N/C

UNIT : mm

DRAWN BY: 穩文涛

CHECKED BY: 李平

DESIGNED BY: 李平

APPROVED BY: 杨利

TITLE : LA1575MK4G-284-11M  
ENGINEERING SPECIFICATION



INPAQ TECHNOLOGY CO., LTD.

THIS DRAWINGS AND SPECIFICATIONS ARE THE PROPERTY OF INPAQ TECHNOLOGY CO.,LTD.AND SHALL NOT BE REPRODUCED OR USED AS THE BASIS FOR THE MANUFACTURE OR SALE OF APPARATUS OR DEVICES WITHOUT PERMISSION

DOCUMENT NO.

ENS000040820

PAGE REV.

A0

## 6. Explanation of Appendix

LA1575MK4G-284- 1 1 M

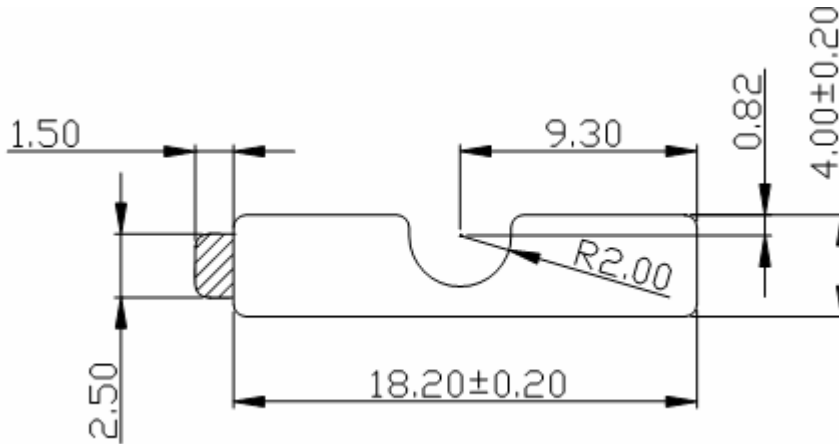
| | |  
(1) (2) (3)

(1) 1=3.0mm pin Length

(2) Adhesive Tape 1 18.2x4mm

Adhesive Transfer Tape Specification

- 1.1 Thickness : 0.16± 5% mm
- 1.2 Release Liner : 0.1mm (typ.) printed paper or paper
- 1.3 Dimension : mm



(3) Option appendix M Marking

Marking configuration

- 3.1 Logo G for INPAQ Logo
- 3.2 Type G for green product antenna
- 3.3 Three digits are the code of our project number

284



Patch top electrode

UNLESS OTHER SPECIFIED TOLERANCES ON :

X=± 0.1      X.X=± 0.1      X.XX=±

ANGLES=±      HOLEDIA=±

SCALE : N/C

UNIT : mm

DRAWN BY: 稳文涛

CHECKED BY: 杨利

DESIGNED BY: 杨利

APPROVED BY: 杨利

TITLE : LA1575MK4G-284-11M

ENGINEERING SPECIFICATION



INPAQ TECHNOLOGY CO., LTD.

THIS DRAWINGS AND SPECIFICATIONS ARE THE PROPERTY OF INPAQ TECHNOLOGY CO.,LTD.AND SHALL NOT BE REPRODUCED OR USED AS THE BASIS FOR THE MANUFACTURE OR SALE OF APPARATUS OR DEVICES WITHOUT PERMISSION

DOCUMENT NO.

ENS000040820

PAGE REV.

A0