

PA5800MF4G-116-11

Engineering Specification

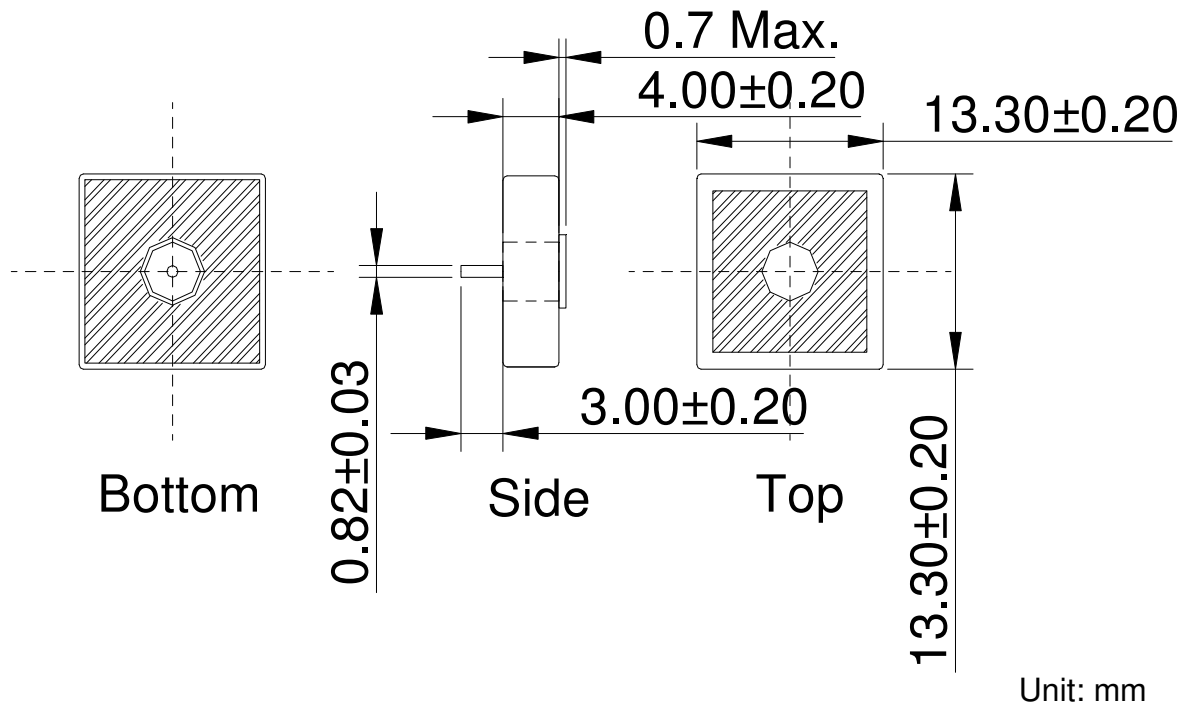
1. Typical Electrical Properties

Characteristics	Specification	Unit	Conditions
Frequency Range	5750-5850	MHz	On 20x20 mm Ground
S11	< -10	dB	On 20x20 mm Ground
Polarization	Linear		By test housing
Frequency Temperature Coefficient	0±20	ppm/°C	-40°C to +85°C

PA5800MF4G-116-11 , G : Green parts (RoHS compliance)

-116 are the code of project number, -11 show of appendix

2. Dimension



UNLESS OTHER SPECIFIED TOLERANCES ON :

X=± X.X=± X.XX=±

ANGLES=± HOLEDIA=±



INPAQ TECHNOLOGY CO., LTD.

SCALE : UNIT : mm

DRAWN BY: 羅孟仙 CHECKED BY: 馬敏勝

DESIGNED BY: 鄭大福 APPROVED BY: 曾源標

THIS DRAWINGS AND SPECIFICATIONS ARE THE PROPERTY OF INPAQ TECHNOLOGY CO.,LTD.AND SHALL NOT BE REPRODUCED OR USED AS THE BASIS FOR THE MANUFACTURE OR SALE OF APPARATUS OR DEVICES WITHOUT PERMISSION

TITLE : PA5800MF4G-116-11
Engineering Specification

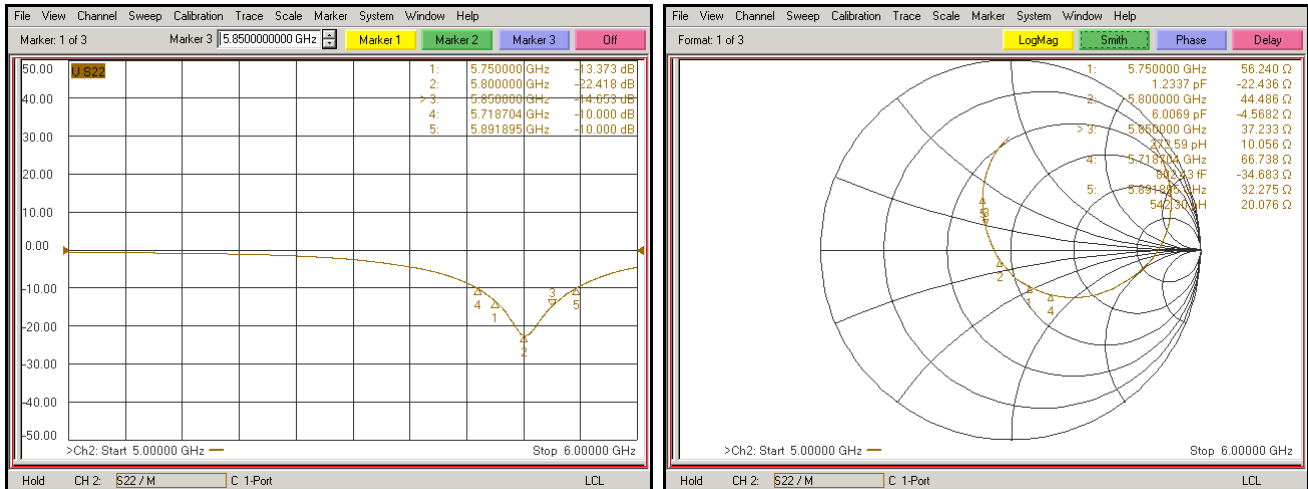
DOCUMENT NO.

ENS000058420

SPEC REV.
P0

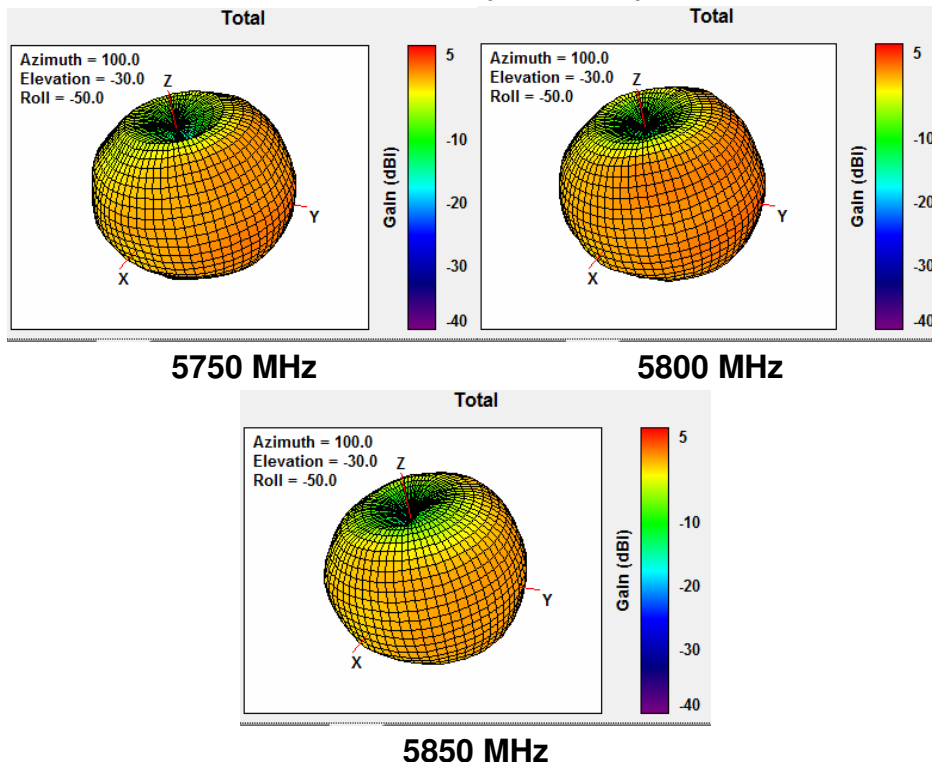
3. Antenna Performance and Characteristic Data on 20x20 mm Ground

3.1 Return Loss



Frequency (MHz)	S11 (dB)	Bandwidth (MHz)
5750	-13.37	173.19
5800	-22.41	
5850	-14.05	

3.2 3D Linear Polarization Gain Pattern: (Unit : dBi)



UNLESS OTHER SPECIFIED TOLERANCES ON :

X=± X.X=± X.XX=±
 ANGLES=± HOLEDIA=±



INPAQ TECHNOLOGY CO., LTD.

SCALE : UNIT : mm

DRAWN BY: 羅孟仙 CHECKED BY: 馬敏勝

DESIGNED BY: 鄭大福 APPROVED BY: 曾源標

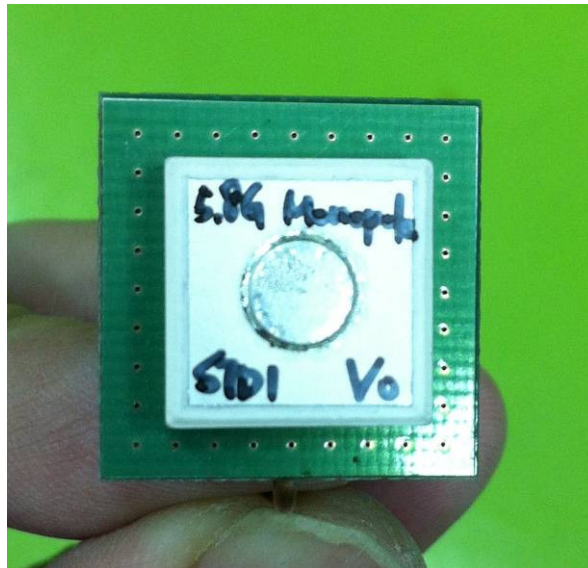
THIS DRAWINGS AND SPECIFICATIONS ARE THE PROPERTY OF INPAQ TECHNOLOGY CO.,LTD.AND SHALL NOT BE REPRODUCED OR USED AS THE BASIS FOR THE MANUFACTURE OR SALE OF APPARATUS OR DEVICES WITHOUT PERMISSION

TITLE : PA5800MF4G-116-11
 Engineering Specification

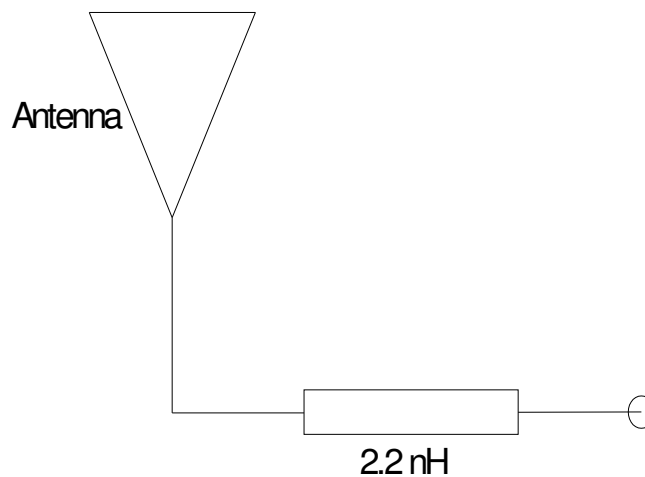
DOCUMENT NO. ENS000058420

SPEC REV. P0

3.3 Antenna on 20x20 m Ground:



3.4 Antenna Matching Network:



UNLESS OTHER SPECIFIED TOLERANCES ON :	
X=±	X.X=± X.XX=±
ANGLES=±	HOLEDIA=±
SCALE :	UNIT : mm
DRAWN BY: 羅孟仙	CHECKED BY: 馬敏勝
DESIGNED BY: 鄭大福	APPROVED BY: 曾源標
TITLE : PA5800MF4G-116-11 Engineering Specification	



INPAQ TECHNOLOGY CO., LTD.

THIS DRAWINGS AND SPECIFICATIONS ARE THE PROPERTY OF INPAQ TECHNOLOGY CO.,LTD.AND SHALL NOT BE REPRODUCED OR USED AS THE BASIS FOR THE MANUFACTURE OR SALE OF APPARATUS OR DEVICES WITHOUT PERMISSION

DOCUMENT NO.	ENS000058420	SPEC REV.
		P0

4. Explanation of Appendix

P A 5800 M F 4 G -116- 1 1

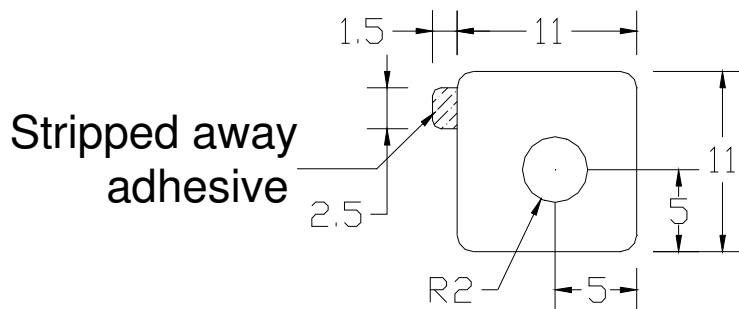
(1) (2)

(1) Pin = 3 mm Pin Length

(2) Adhesive Tape 1 11×11mm

Adhesive Transfer Tape Specification

- 2.1 Thickness : 0.05 mm
- 2.2 Release Liner : 0.1mm (typ.) printed paper or paper
- 2.3 Dimension : mm



Tolerance : ±0.2 mm

UNLESS OTHER SPECIFIED TOLERANCES ON :

X=± X.X=± X.XX=±

ANGLES=± HOLEDIA=±



INPAQ TECHNOLOGY CO., LTD.

SCALE : UNIT : mm

DRAWN BY: 羅孟仙 CHECKED BY: 馬敏勝

DESIGNED BY: 鄭大福 APPROVED BY: 曾源標

THIS DRAWINGS AND SPECIFICATIONS ARE THE PROPERTY OF INPAQ TECHNOLOGY CO.,LTD.AND SHALL NOT BE REPRODUCED OR USED AS THE BASIS FOR THE MANUFACTURE OR SALE OF APPARATUS OR DEVICES WITHOUT PERMISSION

TITLE : PA5800MF4G-116-11
Engineering Specification

DOCUMENT NO.

ENS000058420

SPEC REV.

P0