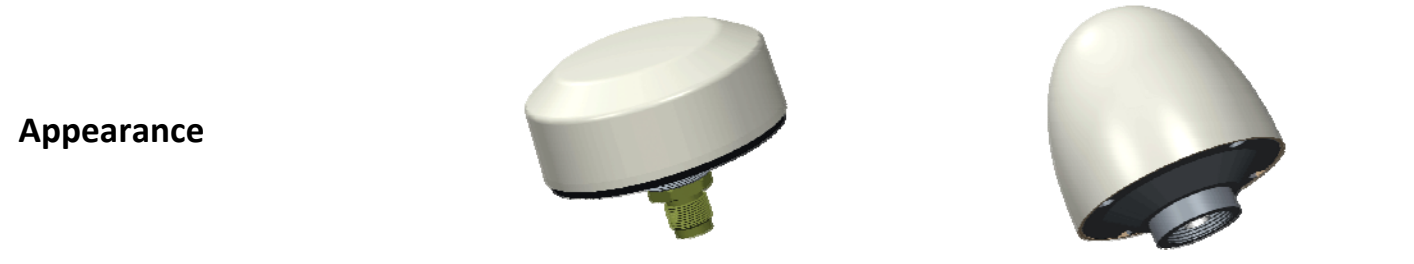


Automotive Antenna

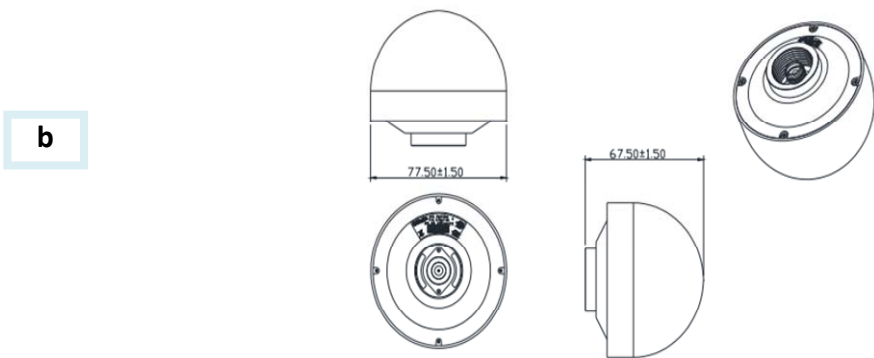
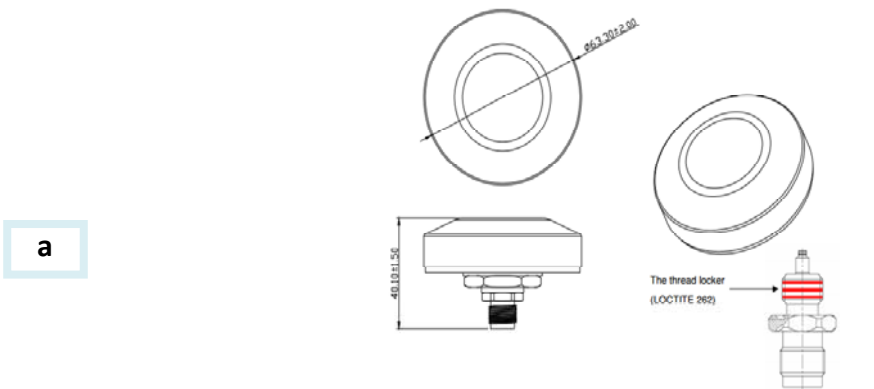
Specification

Type	ODM / OEM
Series	GPS252I-S3-00-A GPS387J-S3-00-A GPSGLONASS13S3W-S6-00-AB3 (GPS+Glonass+LTE) GN5P5-25S1W-S3-00-A (GPS+GSM) GPS354P-S3-12-A

Product name	GPS252I-S3-00-A	GPS387J-S3-00-A
---------------------	------------------------	------------------------



Specification		
Frequency Range (MHz)	1575.42 ±1.023	1575.42 ±1.023
Gain (dB)	26 min.	27±3
Noise Figure (dB)	1.8 max. (at +25°C±5°C)	3.3 max.
Filter Outband attenuation	NA	NA
Output V.S.W.R	2.5 max.	2.5 typ.
Voltage (V)	3.0±0.5	3.3±0.3
Current (mA)	10±3 (at 3.0±0.1V)	7.5±3 (at 3.3±0.1V)
Dimension (mm)	a. 63.3x63.3x40.1	b. 77.5x77.5x67.5



Product name

GPSGLONASS13S3W-S6-00-AB3

(GPS+Glonass+LTE)

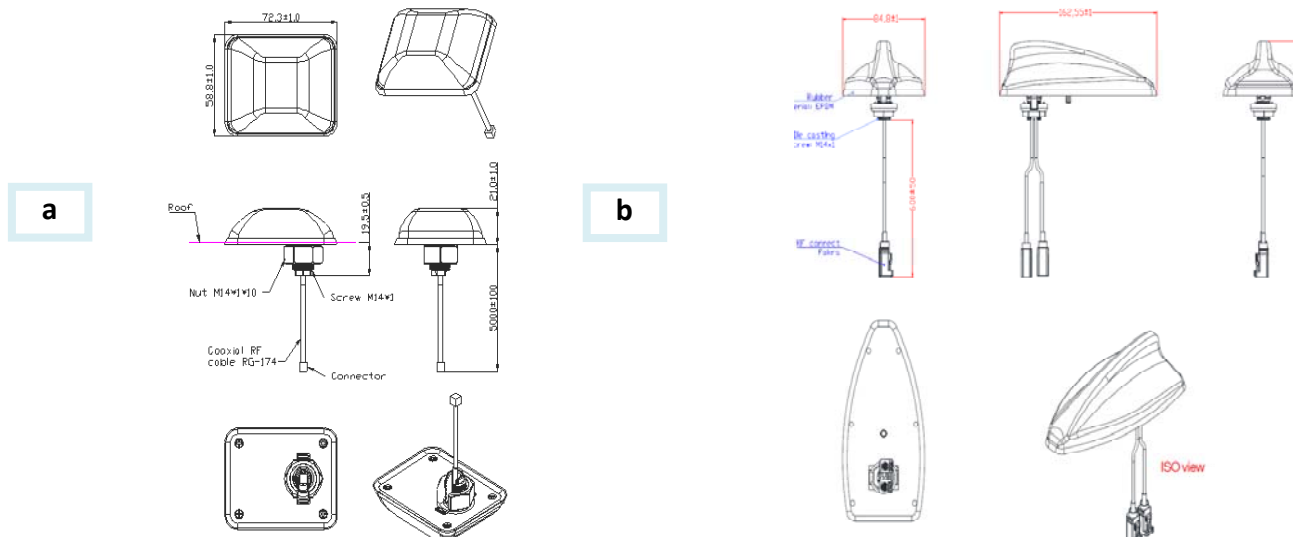
GNSP5-25S1W-S3-00-A

Appearance



Specification

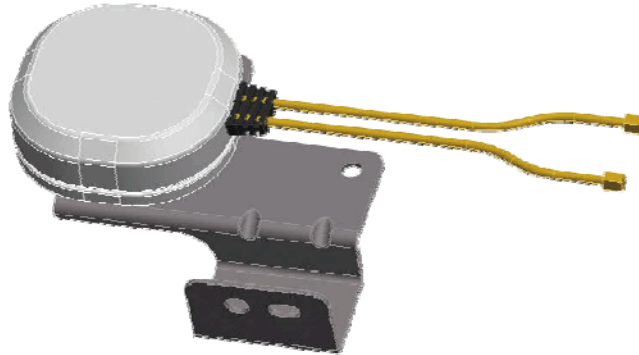
	1574~1615	1575~1615
Frequency Range (MHz)	1574~1615	1575~1615
Gain (dB)	1575.42 MHz :27±3 (3.0±0.1 V) 30±3 (5.0±0.1 V) 1602 MHz :27±3 (3.0±0.1 V) 30±3 (5.0±0.1 V)	1575.42 MHz :27±3 (at 3.0±0.1V) 1602 MHz :27±3 (at 3.0±0.1V)
Noise Figure (dB)	2.0 typ.	2.0 typ.
Filter Outband attenuation	NA	34dB typ. fo±50MHz 49dB typ. fo±100MHz (fo=1575.42MHz~1602MHz)
Output V.S.W.R	2.0 max.	2.0 max.
Voltage (V)	3.0±0.3 5.0±0.5	3.0±0.6
Current (mA)	9±3 (3.0±0.1 V) 18±3 (5.0±0.1 V)	10±3 (at 3.0±0.1V)
Dimension (mm)	a. 72 x 59 x 21	b. 162.55 x 84.8 x 44.2



Product name

(GPS+GSM)
GPS354P-S3-12-A

Appearance



Specification

Frequency Range (MHz)

1575.42 ±1.023

Gain (dB)

30.0+1.5/-2
(At2.85±0.1V, -40°C ~ +85°C)

Noise Figure (dB)

3.5 max.

Filter Outband attenuation

20dB Typ. fo±20MHz
30dB Typ. fo±30MHz
30dB Typ. fo±50MHz
40dB Typ. fo±100MHz
fo=1575.42MHz

Output V.S.W.R

2.0 max.

Voltage (V)

2.85±0.1

Current (mA)

12.5±3 (2.85±0.1V)

Dimension (mm)

60 x 60 x 15

