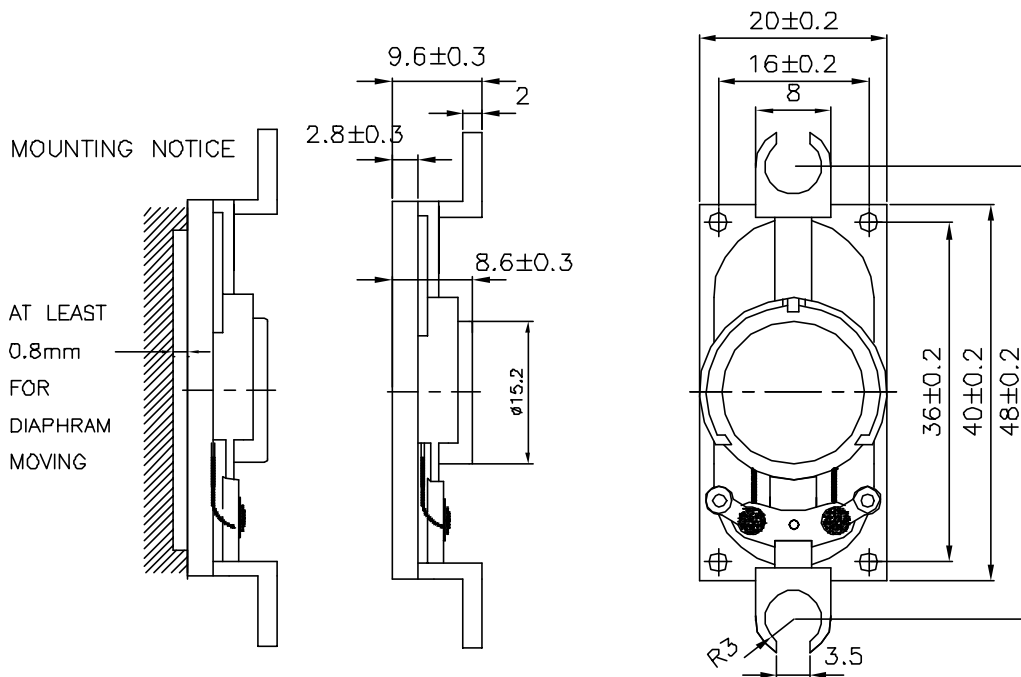


VECO VANSONIC ENTERPRISE CO., LTD.

8F., No.7, Lane 16, Sec.2, Szechwan Road, Panchiao, Taipei Hsien, TAIWAN.
 TEL: +886-2-29626335 FAX: +886-2-29625220 E-MAIL: VANSONIC@MS4.HINET.NET

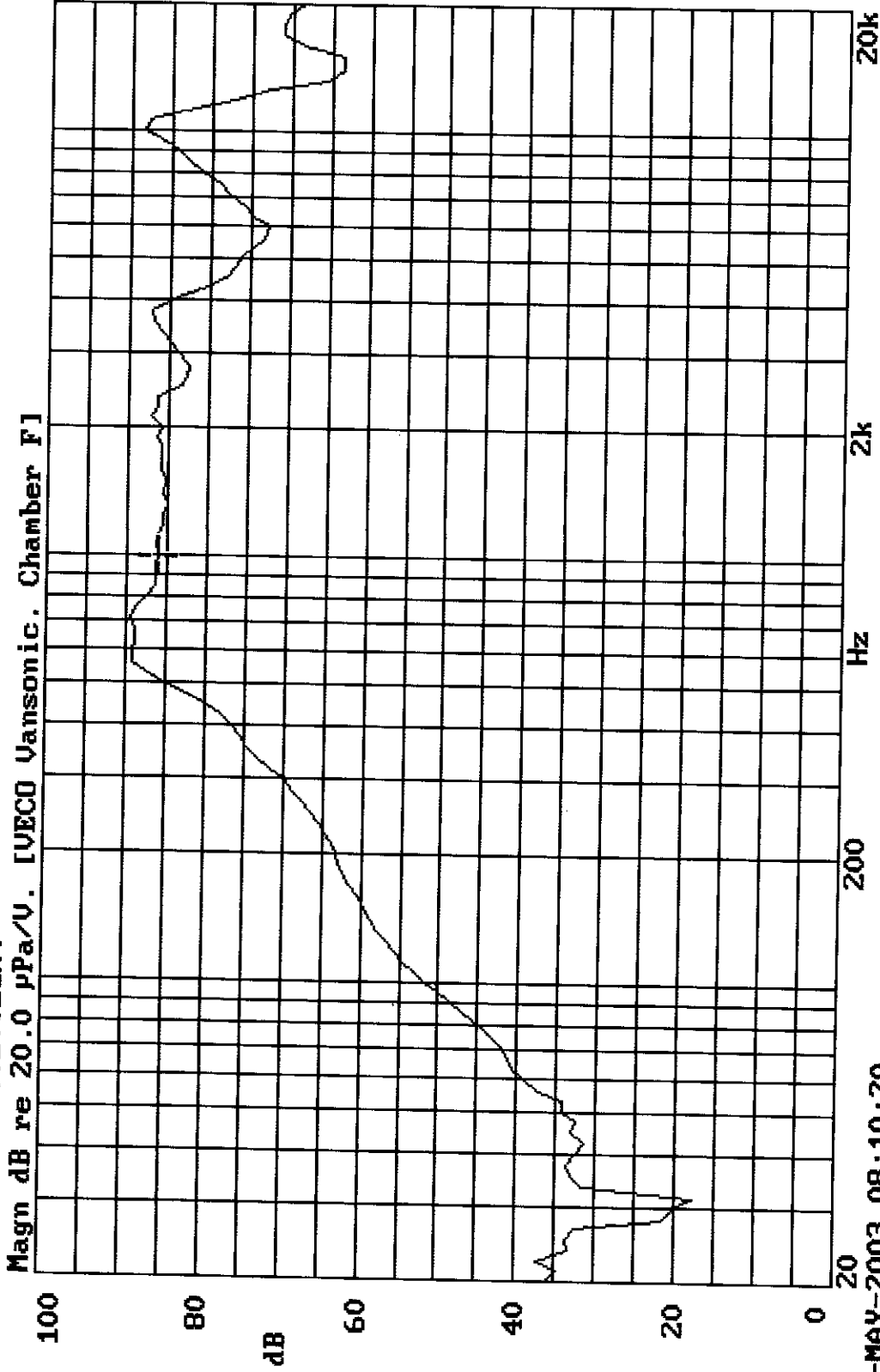
1.	MODEL:	40KS08PE			
2.	Dimension	Outer Diameter	40 X 20mm.	Baffle Opening	39 X 19mm.
		Height	Refer to Drawing	Weight	12 Grams.
3.	Magnet	Materials	Rare Earth	Size	∅ 11.5x1.5 mm.
4.	Nominal Resistance	8	± 15 %		
5.	Power Rating	Normal	1.5 W.	Maximum	2 W.
6.	Lowest Resonant Frequency	560	± 20 %	Hz.	
7.	Output Sound Pressure Level (S.P.L.)	87 ± 3 db / 1.0 Watt . 0.5 Meter.			
		Average at	800, 1000, 1200, 1500	Hz.	
8.	Frequency Range	350 ~ 15000	Hz.	Average S P L - 10 db.	
9.	Distortion	5 %	Maximum At	1000 Hz.	2 W.
10.	Abnormal Sound Test	Must be Normal Tested By		3.5 Volts.	Sine Wave.
11.	Load Test	White Noise with Weighted Filter		3.5 Volts.(RMS)	96 Hrs.
12.	Polarity	Diaphragm shall move Forward when Apply a Positive DC.			
		Current to the "+" or "Marked" Terminal.			



Unit : mm

Housing Material : PBT

P40KS08PE VOL:2.828V(1.0W) DIS:0.5M VANSONIC
X:1.0000KHz *Y:86.11dB ZA:1.0000
CY:2.021M%
SSR Fund.



13-MAY-2003 08:10:20

Mode: SSR

