

VECO VANSONIC ENTERPRISE CO., LTD.

8F., No. 7, Lane 16, Sec. 2, Szechwan Road, Panchiao, Taipei Hsien, TAIWAN.

TEL: +886-2-29626335

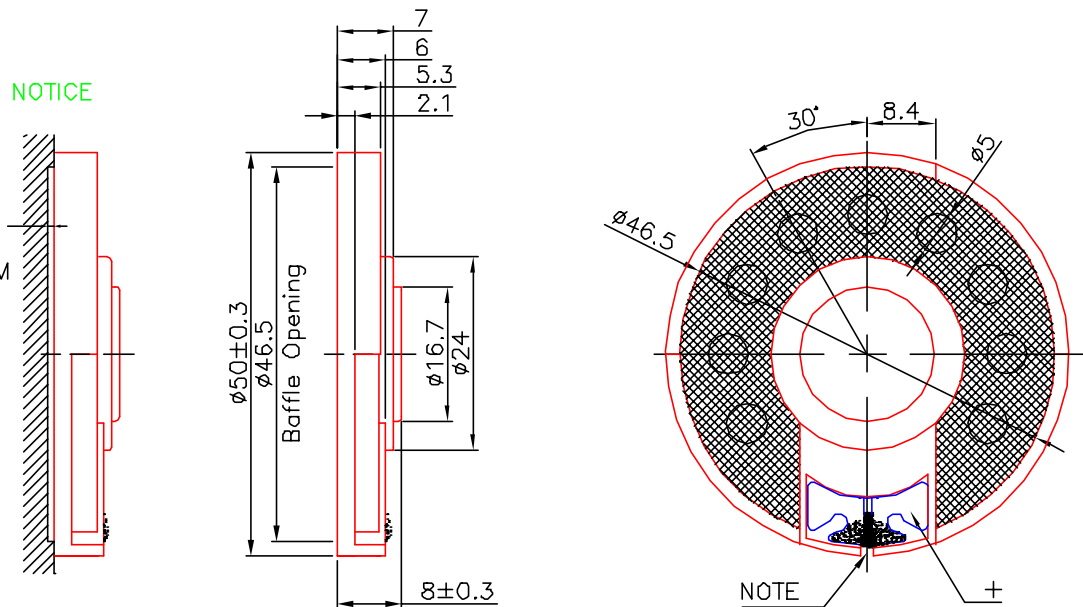
FAX: +886-2-29625220

E-MAIL: VANSONIC@MS4.HINET.NET

1.	MODEL:	50CS08G -M75ND(Black Mylar)			
2.	Dimension	Outer Diameter	50 mm.	Baffle Opening	46.5 mm.
		Height	Refer to Drawing.	Weight	11.0 Grams.
3.	Magnet	Materials	Rare Earth	Size	∅ 12.5x1.5 mm.
4.	Nominal Impedance	8 ± 15 %	At	1500 Hz.	
5.	Power Rating	Normal	200 mW.	Maximum	400 mW.
6.	Lowest Resonant Frequency	350 ± 20 %			Hz.
7.	Output Sound Pressure Level (S.P.L.)	80 ± 3 db / 0.2 Watt . 0.5 Meter.			
		Average at	600, 800, 1000, 1200 Hz.		
8.	Frequency Range	190 ~ 10000 Hz.		Average SPL - 10 db.	
9.	Distortion	5 % Maximum At	1000 Hz.		200 mW.
10.	Abnormal Sound Test	Must be Normal Tested By	1.3 Volts.		Sine Wave.
11.	Load Test	White Noise with Weighted Filter	1.3 Volts.(RMS)		24Hrs.
12.	Polarity	Diaphragm shall move Forward when Apply a Positive DC.			
		Current to the "+" or "Marked" Terminal.			

MOUNTING NOTICE

AT LEAST
0.8mm
FOR
DIAPHRAGM
MOVING

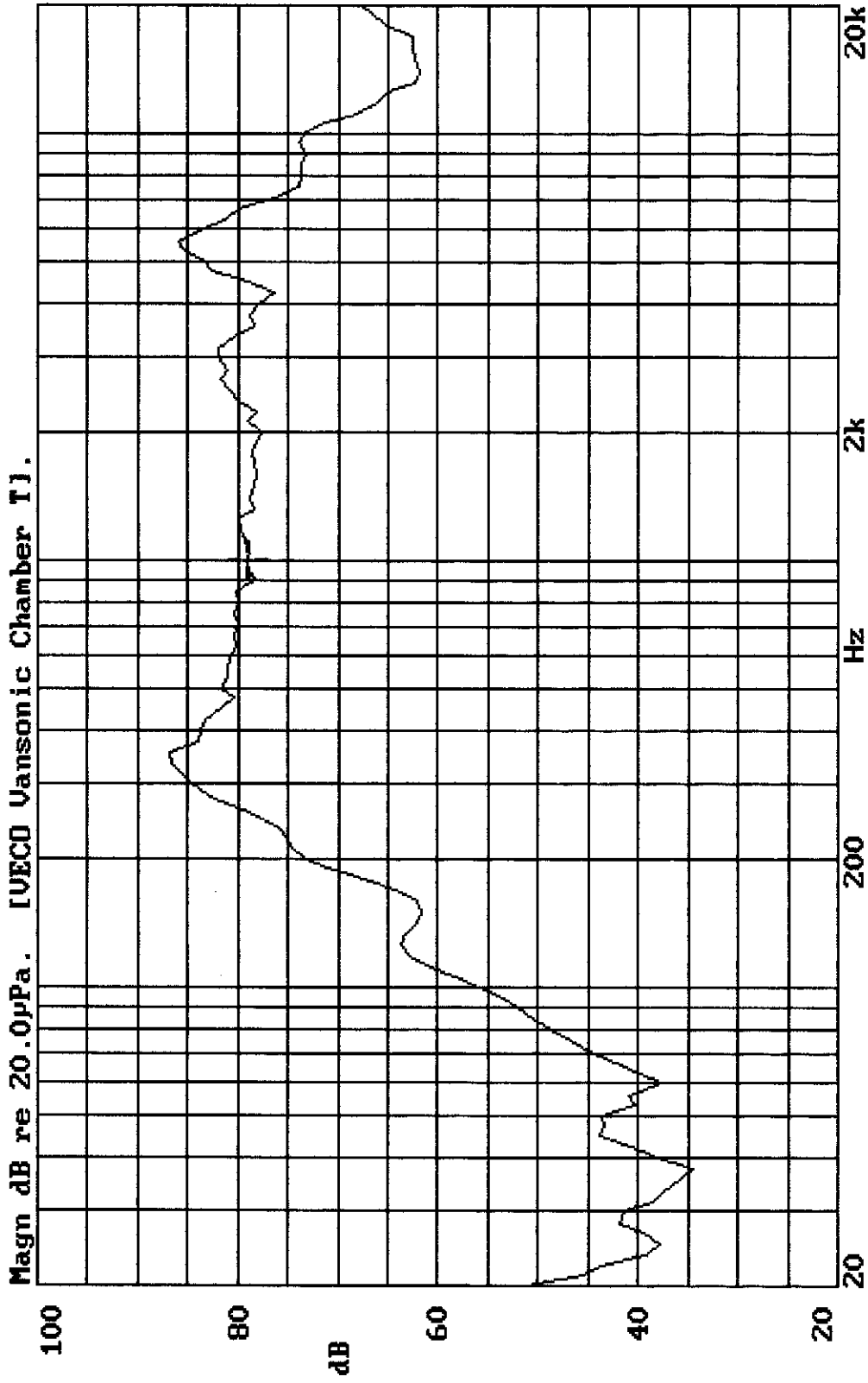


Note: This slot is reserved for VC lead wires, should not for other application

Unit : mm

Housing Material : ABS

50CS08G-75ND Vol:1.265U(0.2M) Dis:0.5M VANSONIC
X:1.0000kHz *Y:79.03dB ZA:Live Curve SSR Fund.



23-JUN-1999 10:25:37

Mode: SSR

