

# VECO VANSONIC ENTERPRISE CO., LTD.

**8F.,No.7,Lane 16, Sec.2, Szechwan Road, Panchiao, Taipei Hsien, TAIWAN.**

TEL: +866-2-29626335

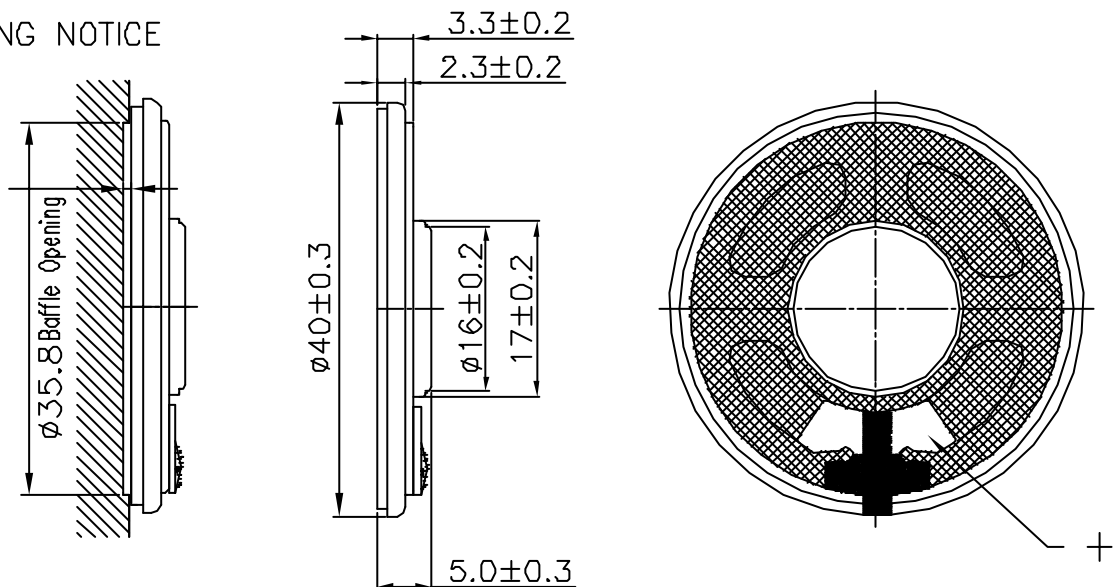
TEL: +866-2-29625220

E-MAIL: vansonic@ms4.hinet.net

1.	<b>MODEL:</b>	<b>40CS08FN</b> -75BD(BLACK MYLAR)-75BT(CLEAR MYLAR)
2.	Dimension	Outer Diameter <b>40</b> mm.      Baffle Opening <b>35.8</b> mm.
		Height <b>Refer to Drawing.</b> Weight <b>9.0</b> Grams.
3.	Magnet	Materials <b>Rear Earth</b> .      Size <b>∅ 11.0 x 1.5</b> mm.
4.	Nominal Impedance	<b>8</b> ± <b>15</b> %      At <b>1000</b> Hz.
5.	Power Rating	Normal <b>500</b> mW.      Maximum <b>1000</b> mW.
6.	Lowest Resonant Frequency	<b>500</b> ± <b>20</b> %      Hz.
7.	Output Sound Pressure Level (S.P.L.)	<b>82</b> ± <b>3</b> db / 0.5 Watt . 0.5 Meter.
		Average at <b>1000, 1200, 1500, 2000</b> Hz.
8.	Frequency Range	<b>300</b> ~ <b>13000</b> Hz.      Average S P L - 10 db.
9.	Distortion	<b>5</b> % Maximum At <b>1000</b> Hz. <b>500</b> mW.
10.	Abnormal Sound Test	Must Be Normal Test By <b>2.0</b> Volts.      Sine Wave.
11.	Load Test	White Noise With Weighted Filter <b>2.0</b> Volts.(RMS) <b>24</b> hrs.
12.	Polarity	Diaphragm shall move Forward when Apply a Positive DC.
		Current to the "+" or "Marked" Terminal.

### MOUNTING NOTICE

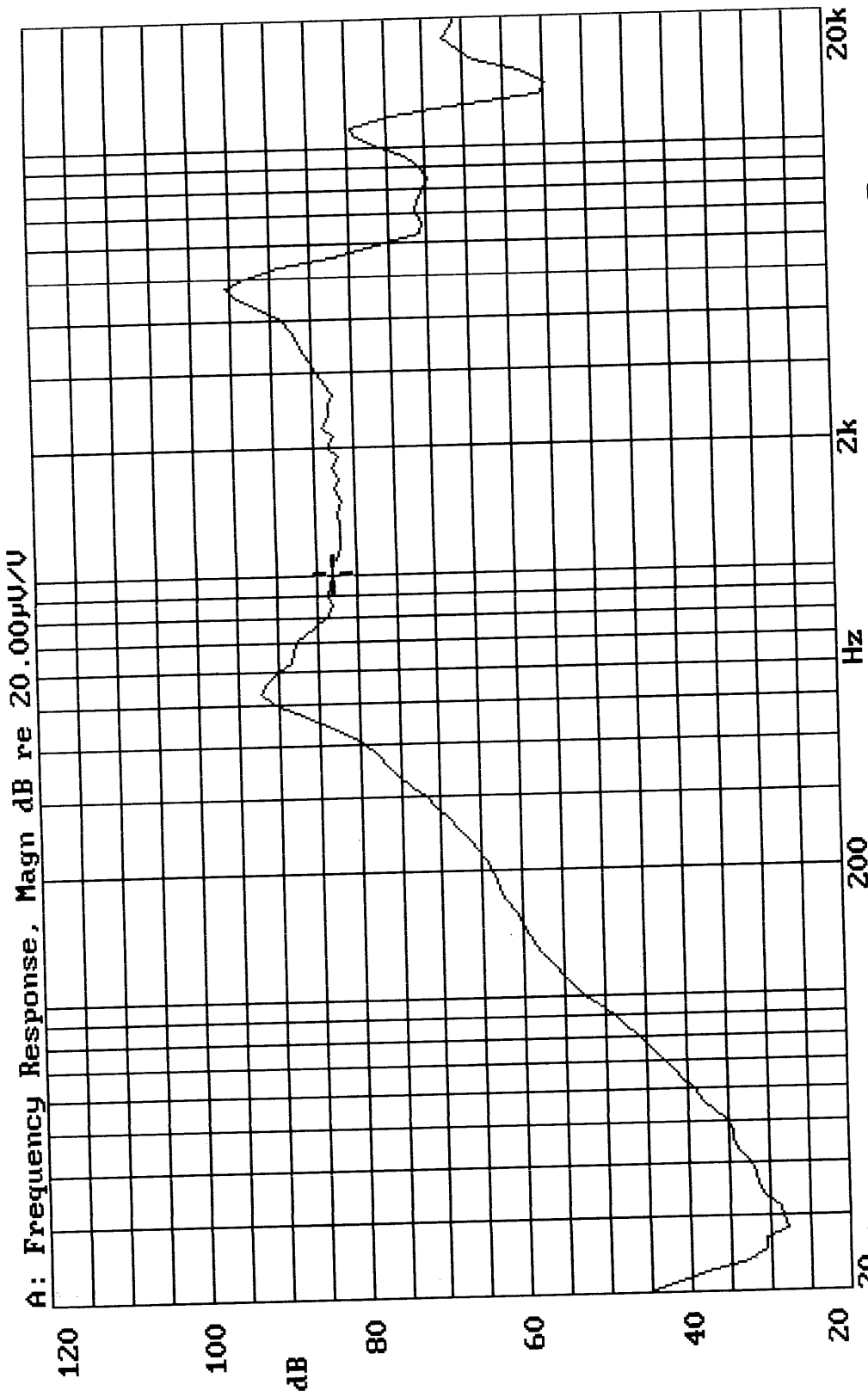
AT LEAST  
0.8mm  
FOR  
DIAPHRAGM  
MOVING



Unit : mm

Housing Material : METAL

40CS08FN-75BD(BT) VOL:2.0V(0.5M) DIS:0.5M VANSONIC  
X:1.0000kHz \*Y:82.95dB ZA:Live Curve SSR Fund.



29-JAN-2002 11:08:21

Mode: SSR