

VECO VANSONIC ENTERPRISE CO.,LTD.

8F.,No.7,Lane 16, Sec.2, Szechwan Road, Panchiao, Taipei Hsien, TAIWAN.

TEL: +886-2-29626335

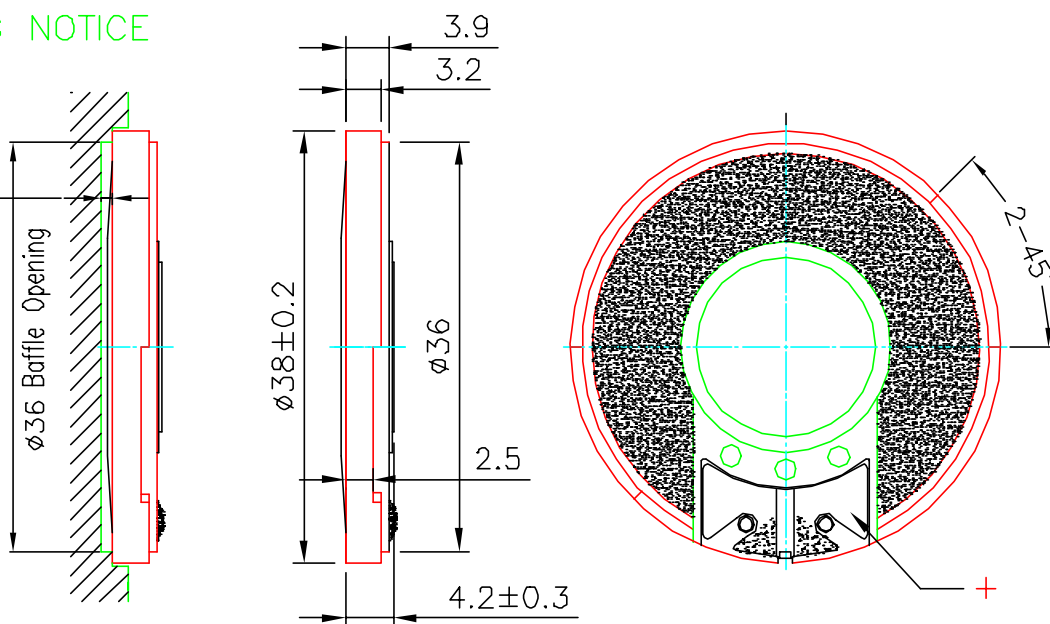
TEL: +886-2-29625220

E-MAIL: vansonic@ms4.hinet.net

1.	MODEL:	38CS08G-3-M50ND (Black Mylar)			
2.	Dimension	Outer Diameter	38 mm.	Baffle Opening	36.2 mm.
		Height	Refer to Drawing .	Weight	6 Grams.
3.	Magnet	Materials	Rare Earth .	Size	ϕ 12.5X 1.5 mm.
4.	Nominal Impedance	8	\pm 15 %	At	1000 Hz.
5.	Power Rating	Normal	300 mW.	Maximum	600 mW.
6.	Lowest Resonant Frequency	330	\pm 20 %		Hz.
7.	Output Sound Pressure Level (S.P.L.)		80 \pm 3 db / 0.3 Watt .		0.5 Meter.
		Average at	800, 1000, 1200, 1500		Hz.
8.	Frequency Range	150 ~ 5000	Hz.	Average S P L -	10 db.
9.	Distortion	5 %	Maximum At	1000 Hz.	300 mW.
10.	Abnormal Sound Test	Must Be Normal Test By 1.6 Volts. Sine Wave.			
11.	Load Test	White Noise With Weighted Filter 1.6 Volts.(RMS) 24 Hrs.			
12.	Polarity	Diaphragm shall move Forward when Apply a Positive DC.			
		Current to the "+" or "Marked" Terminal.			

MOUNTING NOTICE

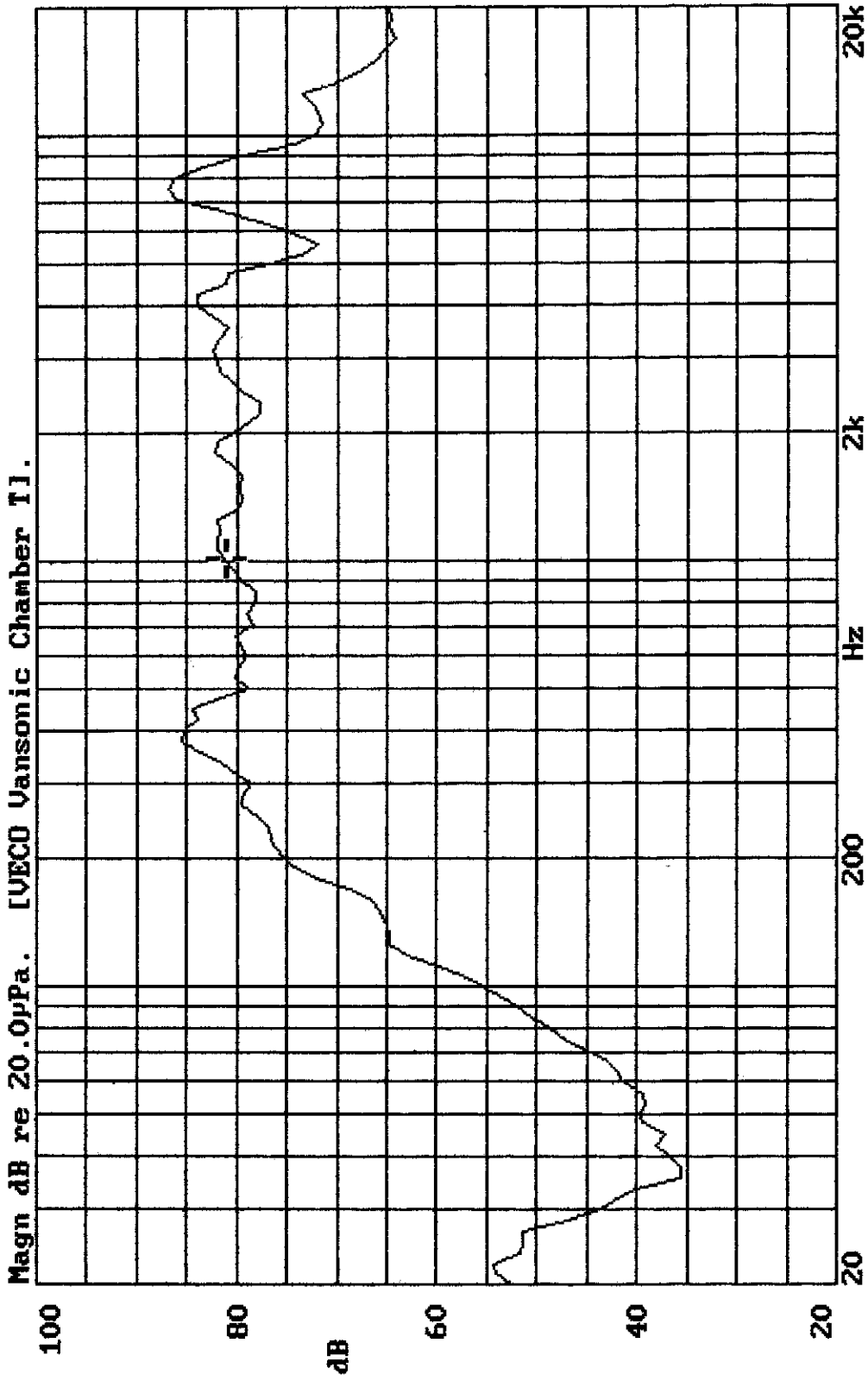
AT LEAST
1.2mm
FOR
DIAPHRAGM
MOVING



Unit : mm

Housing Material : ABS

3BCS08G-3-M50ND VOL:1.549V(0.3W) DIS:0.5M VANSONIC
X:1.0000kHz *Y:81.17dB ZA:1.0000 SSR Fund.



13-FEB-2001 15:49:06

Mode: SSR

