

VECO VANSONIC ENTERPRISE CO.,LTD.

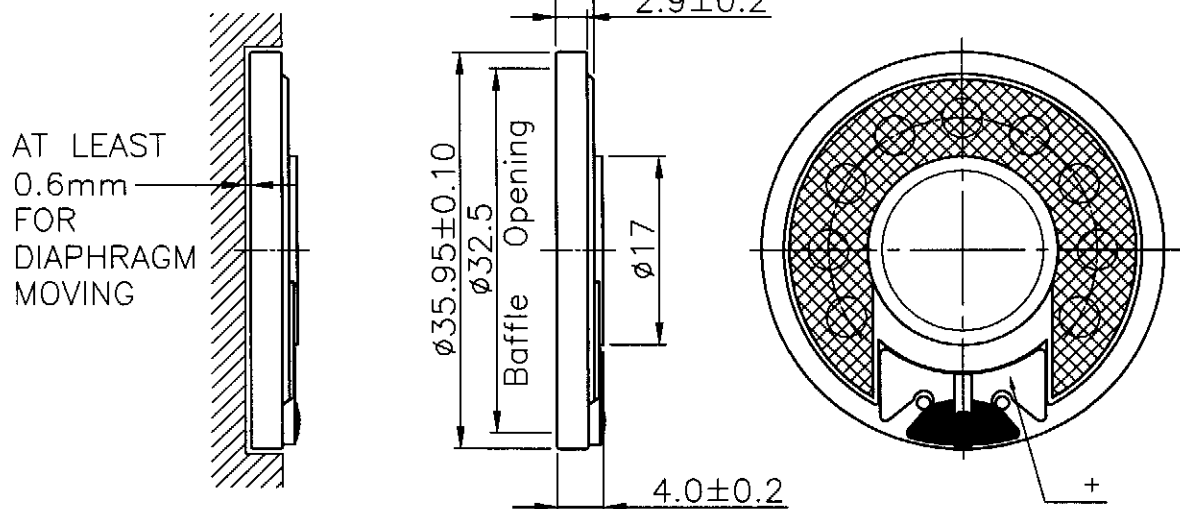
8F.,No.7,Lane 16, Sec.2, Szechwan Road, Panchiao, Taipei Hsien, TAIWAN.

TEL: +886-2-29626335

FAX: +886-2-29625220

1.	MODEL:	36CS50G-2-E75NT(Resistant High Temperature)					
2.	Dimension	Outer Diameter	36	mm.	Baffle Opening	32.5	mm.
		Height	Refer to Drawing .		Weight	4.6	Grams.
3.	Magnet	Materials	Rare Earth .		Size	∅ 12.5x1.5	mm.
4.	Nominal Impedance	50	Ω	±	15	%	At 1500 Hz.
5.	Power Rating	Normal	200	mW.	Maximum	400	mW.
6.	Lowest Resonant Frequency	600		±	20	%	Hz.
7.	Output Sound Pressure Level (S.P.L.)	81		±	3	db / 0.2 Watt · 0.5 Meter.	
		Average at			800,	1000,	1200,
8.	Frequency Range	350		~	10000	Hz.	Average SPL - 10 db.
9.	Distortion	5	%	Maximum At	1000	Hz.	200 mW.
10.	Abnormal Sound Test	Must Be Normal Test By		3.2	Volts.	Sine Wave.	
11.	Load Test	White Noise With Weighted Filter		3.2	Volts.(RMS)	96	Hrs.
12.	Storage Temperature	-40°C ~ +90°C					
13.	Operating Temperature	-40°C ~ +85°C					
14.	Polarity	Diaphragm shall move Forward when Apply a Positive DC.					
		Current to the "+" or "Marked" Terminal.					

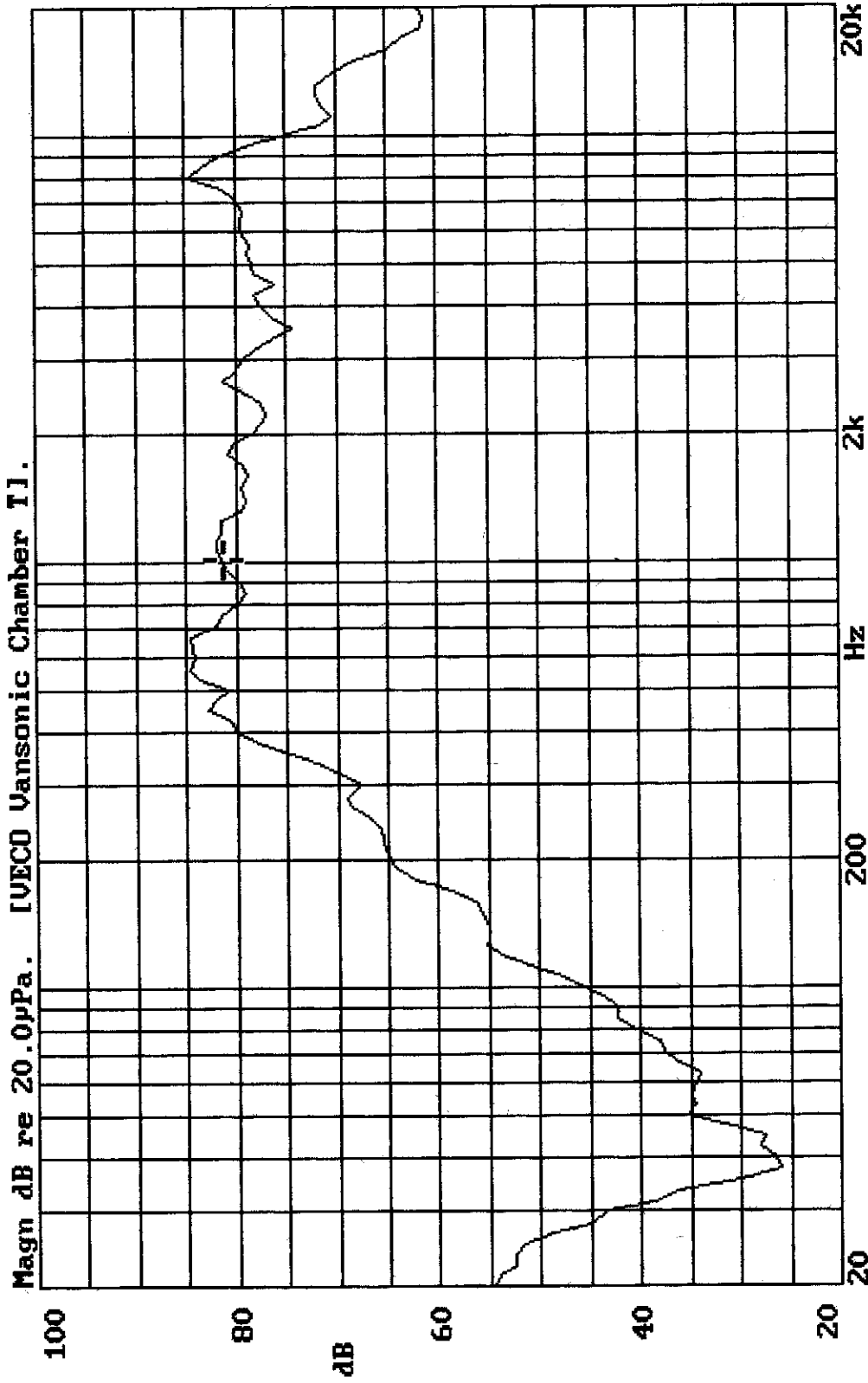
MOUNTING NOTICE



Unit : mm

Housing Material : PBT

36CS50G-2-E75NT Vol:3.162V(0.2W) Dis:0.5M VANSONIC
X:1.0000kHz *Y:81.22dB ZA:Live Curve SSR Fund.



03-APR-2001 11:27:53

Mode: SSR

