

VECO VANSONIC ENTERPRISE CO., LTD.

8F., No. 7, Lane 16, Sec. 2, Szechwan Road, Panchiao, Taipei Hsien, TAIWAN.

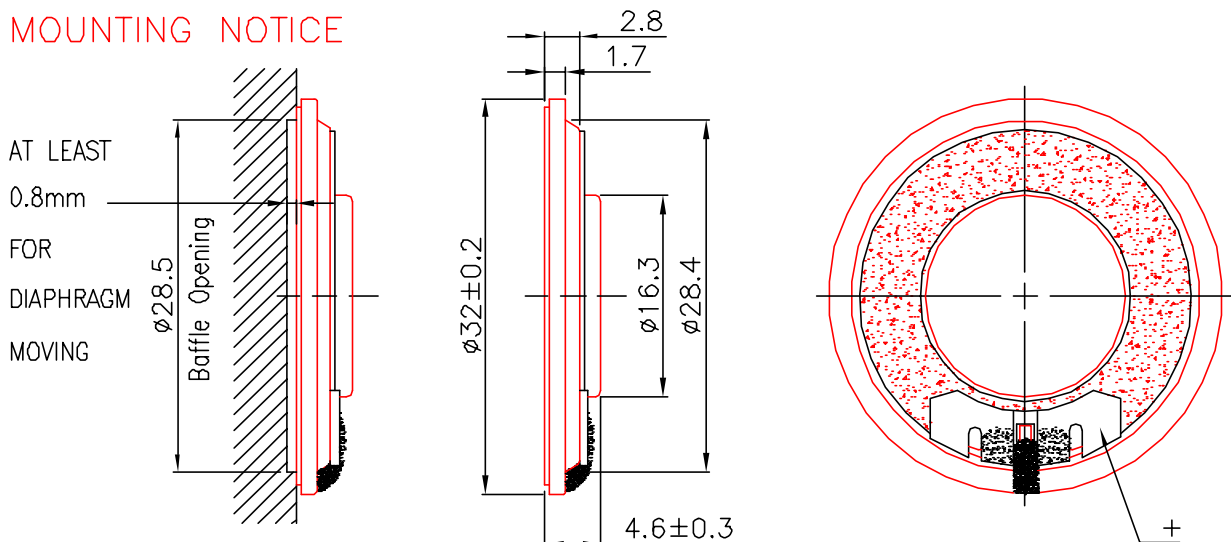
TEL: +886-2-29626335

TEL: +886-2-29625220

E-MAIL: vansonic@ms4.hinet.net

1.	MODEL:	32CS08F -M50BD(Black Mylar)-M50BT(Clear Mylar)					
2.	Dimension	Outer Diameter	32	mm.	Baffle Opening	28.5	mm.
		Height	Refer to Drawing .		Weight	7.3	Grams.
3.	Magnet	Materials	Rare Earth .		Size	∅ 11 X 1.5 mm.	
4.	Nominal Impedance	8	±	15	%	At	1200 Hz.
5.	Power Rating	Normal	500	mW.	Maximum	1000 mW.	
6.	Lowest Resonant Frequency	550	±	20		%	Hz.
7.	Output Sound Pressure Level (S.P.L.)	85 ± 3 db / 0.5 Watt . 0.5 Meter.					
		Average at	600,	800,	1000,	1200	Hz.
8.	Frequency Range	400	~	12000		Hz.	Average SPL - 10 db.
9.	Distortion	5	%	Maximum At	1000	Hz.	500 mW.
10.	Abnormal Sound Test	Must Be Normal Test By 2.0 Volts. Sine Wave.					
11.	Load Test	White Noise With Weighted Filter 2.0 Volts.(RMS) 24 Hrs.					
12.	Polarity	Diaphragm shall move Forward when Apply a Positive DC.					
		Current to the "+" or "Marked" Terminal.					

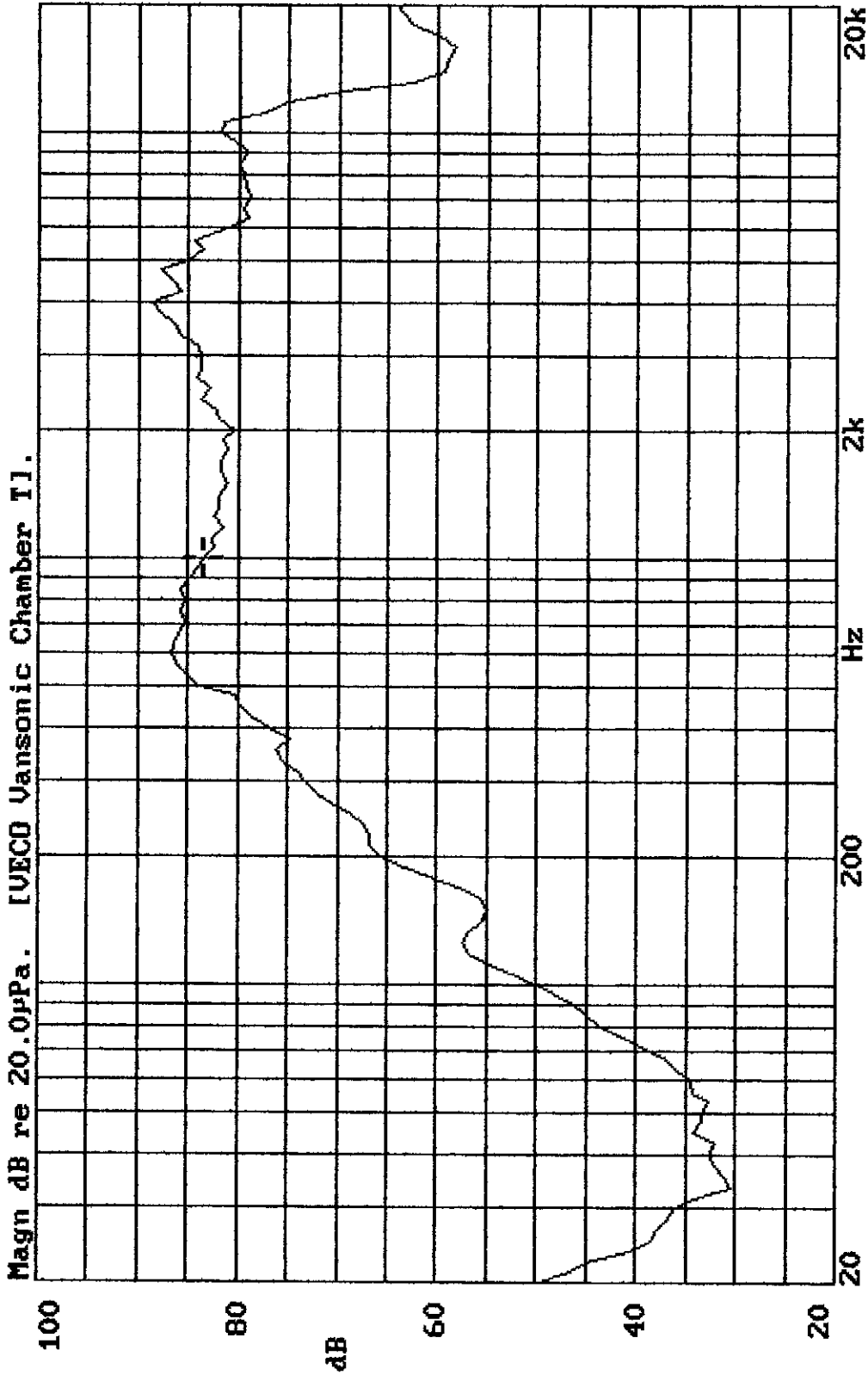
MOUNTING NOTICE



Unit : mm

Housing Material : METAL

32CS08F-M50BD VOL:2.0V(0.5M) DIS:0.5M VANSONIC
X:1.0000kHz *Y:83.47dB ZA:5.0000 SSR Fund.



06-DEC-1999 15:04:02

Mode: SSR

