

VECO VANSONIC ENTERPRISE CO., LTD.

8F., No.7, Lane 16, Sec.2, Szechwan Road, Panchiao, Taipei Hsien, TAIWAN.

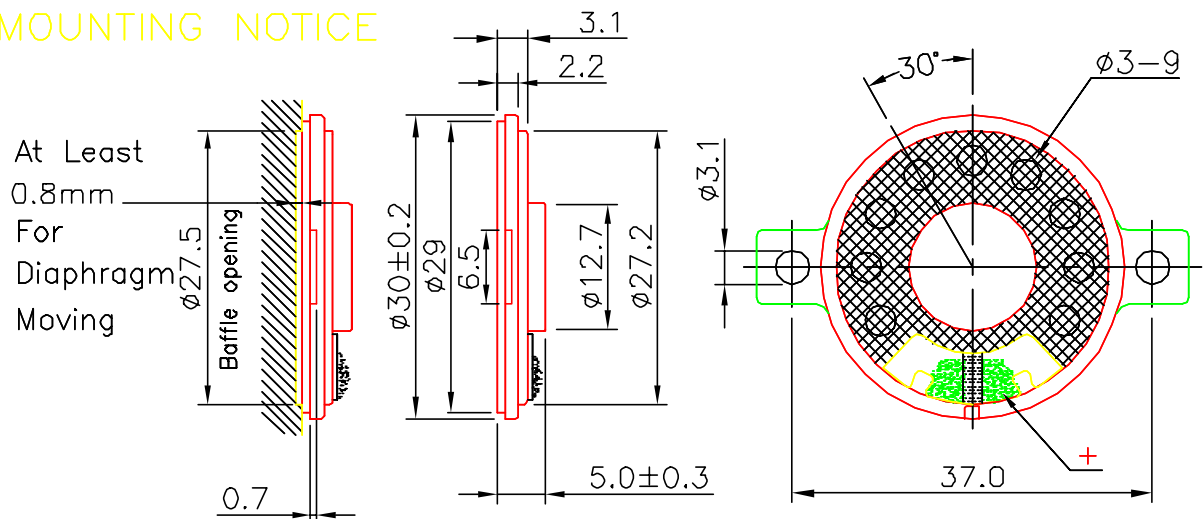
TEL: +886-2-29626335

FAX: +886-2-29625220

E-MAIL: VANSONIC@MS4.HINET.NET

1.	MODEL:	30CS08FE-1 -M50ND(Black Mylar)-M50NT(Clear Mylar)			
2.	Dimension	Outer Diameter	30 mm.	Baffle Opening	27.5 mm.
		Height	Refer to Drawing.	Weight	5.8 Grams.
3.	Magnet	Materials	Rare Earth	Size	∅ 9.5X1.5 mm.
4.	Nominal Impedance	8	± 15 %	At	1500 Hz.
5.	Power Rating	Normal	500 mW.	Maximum	1000 mW.
6.	Lowest Resonant Frequency	620	± 20 %		Hz.
7.	Output Sound Pressure Lever (S.P.L.)	87 ± 3 db / 0.5 Watt . 0.5 Meter.			
		Average at	600,	800,	1000, 1200 Hz.
8.	Frequency Range	400	~ 6000 Hz.	Average SPL - 10 db.	
9.	Distortion	5 %	Maximum At	1000 Hz.	500 mW.
10.	Abnormal Sound Test	Must be Normal Tested By		2.0 Volts.	Sine Wave.
11.	Load Test	White Noise with Weighted Filter		2.0 Volts.(RMS)	24Hrs.
12.	Polarity	Diaphragm shall move Forward when Apply a Positive DC.			
		Current to the "+" or "Marked" Terminal.			

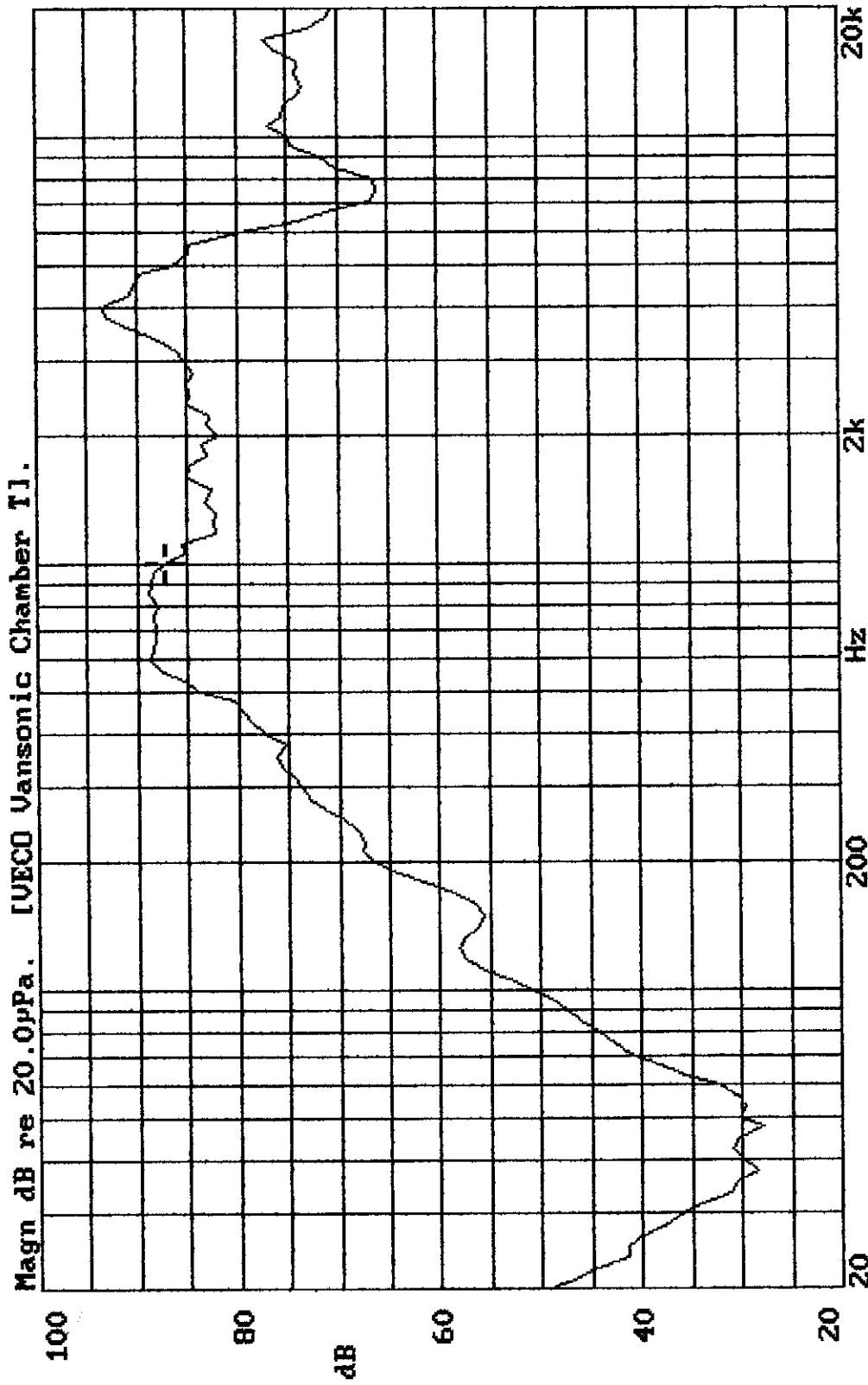
MOUNTING NOTICE



Unit : mm

Housing Material : METAL

30CS08FE-1-M50ND VOL:2.0V(0.5W) DIS:0.5M VANSONIC
X:1.0000kHz *Y:87.34dB ZA:Live Curve SSR Fund.



20-DEC-1999 10:47:14

Mode: SSR

