



VANSONIC ENTERPRISE CO., LTD.

8F., No.7, Lane 16, Sec.2, Szechwan Road, Panchiao, Taipei Hsien, TAIWAN.

TEL: +866-2-29626335

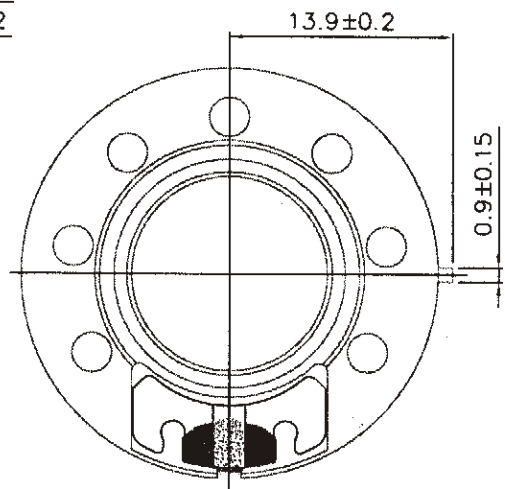
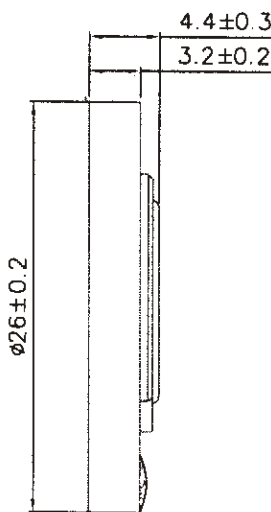
TEL: +866-2-29625220

E-MAIL: vansonic@ms4.hinet.net

1.	MODEL:	26CS08G -38ND(BLACK MYLAR)-38NT(CLEAR MYLAR)					
2.	Dimension	Outer Diameter	26	mm.	Baffle Opening	22.5	mm.
		Height	Refer to Drawing		Weight	3.2	Grams.
3.	Magent	Materials	Rear Earth		Size	Ø 9.5X1.5 mm.	
4.	Nominal Impedance	8	Ω	± 15	%	At	1500 Hz.
5.	Power Rating	Normal	500	mW.	Maximum	1000	mW.
6.	Lowest Resonant Frequency	520	±	20	%	Hz.	
7.	Output Sound Pressure Level (S.P.L.)	83	±	3	db / 0.5 Watt	0.5 Meter.	
		Average at		800, 1000, 1200, 1500	Hz.		
8.	Frequency Range	400	~	8000	Hz.	Average SPL - 10 db.	
9.	Distortion	5	%	Maximum At	1000	Hz.	500 mW.
10.	Abnormal Sound Test	Must Be Normal Test By		2.0	Volts.	Sine Wave.	
11.	Load Test	White Noise With Weighted Filter		2.0	Volts.(RMS)	24 Hrs.	
12.	Polarity	Diaphragm shall move Forward when Apply a Positive DC.					
		Current to the "+" or "Marked" Terminal.					

MOUNTING NOTICE

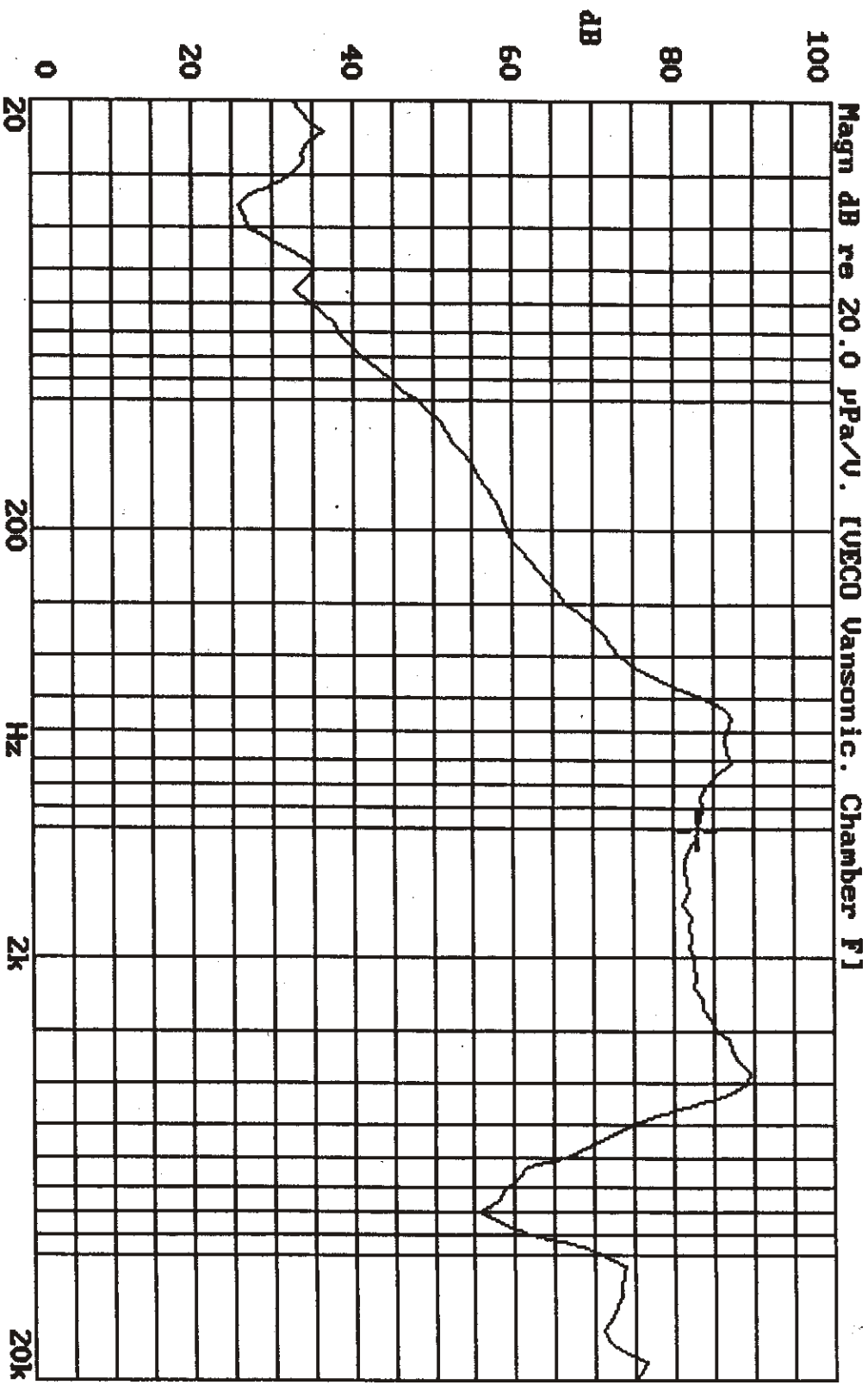
AT LEAST
0.8mm
FOR
DIAPHRAGM
MOVING



Unit : mm

Housing Material : ABS

P26CS08G-38ND UOL:2.0U(0.5M) DIS:0.5M UANSONIC
X:1.0000KHz *Y:82.97dB ZA:Live Curve SSR Fund.



29-MAY-2003 13:55:28

Mode: SPEAKER

