

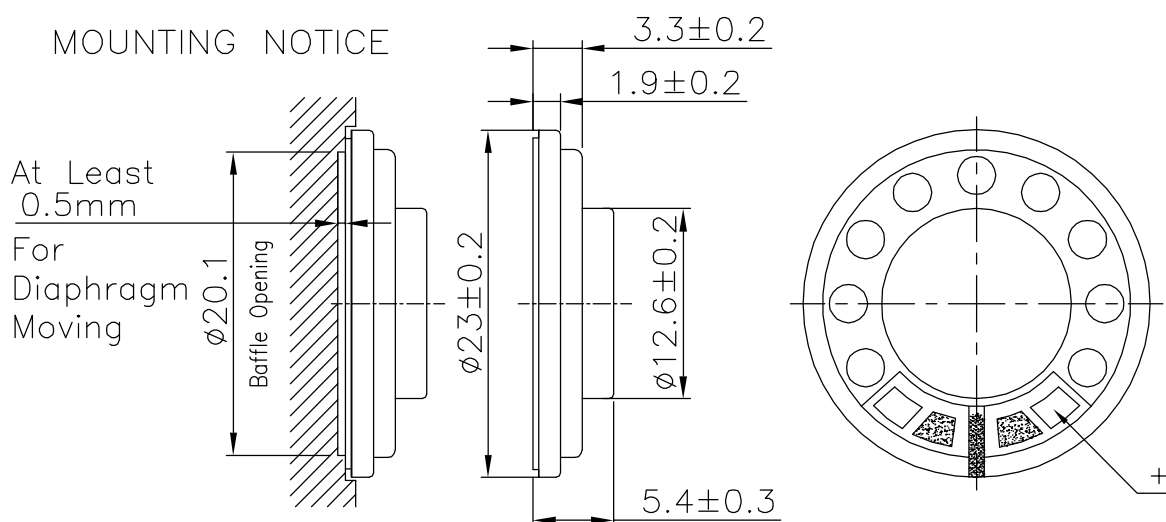
VECO VANSONIC ENTERPRISE CO.,LTD.

8F.,No.7,Lane 16, Sec.2, Szechwan Road, Panchiao, Taipei Hsien, TAIWAN.

TEL: +866-2-29626335 FAX: +866-2-29625220 E-MAIL: VANSONIC@MS4.HINET.NET

1.	MODEL:	23CS08FH -M38ND(Black Mylar)-M38NT(Clear Mylar)
2.	Dimension	Outer Diameter $\phi 23$ mm. Baffle Opening $\phi 20.1$ mm.
		Height Refer to Drawing . Weight 4.0 Grams.
3.	Magnet	Materials Rare Earth . Size $\phi 9.5 \times 1.5$ mm.
4.	Nominal Impedance	8 $\pm 15\%$ At 1500 Hz.
5.	Power Rating	Normal 500 mW. Maximum 1000 mW.
6.	Lowest Resonant Frequency	730 $\pm 20\%$ Hz.
7.	Output Sound Pressure Lever (S.P.L.)	83 ± 3 db / 0.5Watt . 0.5 Meter.
		Average at 800, 1000, 1200, 1500, Hz.
8.	Frequency Range	600 ~ 20000 Hz. Average S P L - 10 db.
9.	Distortion	5 % Maximum At 1000 Hz. 500 mW.
10.	Abnormal Sound Test	Must be Normal Tested By 2.0 Volts. Sine Wave.
11.	Load Test	White Noise with Weighted Filter 2.0 Volts.(RMS) 96 Hrs.
12.	Polarity	Diaphragm shall move Forward when Apply a Positive DC.
		Current to the "+" or "Marked" Terminal.

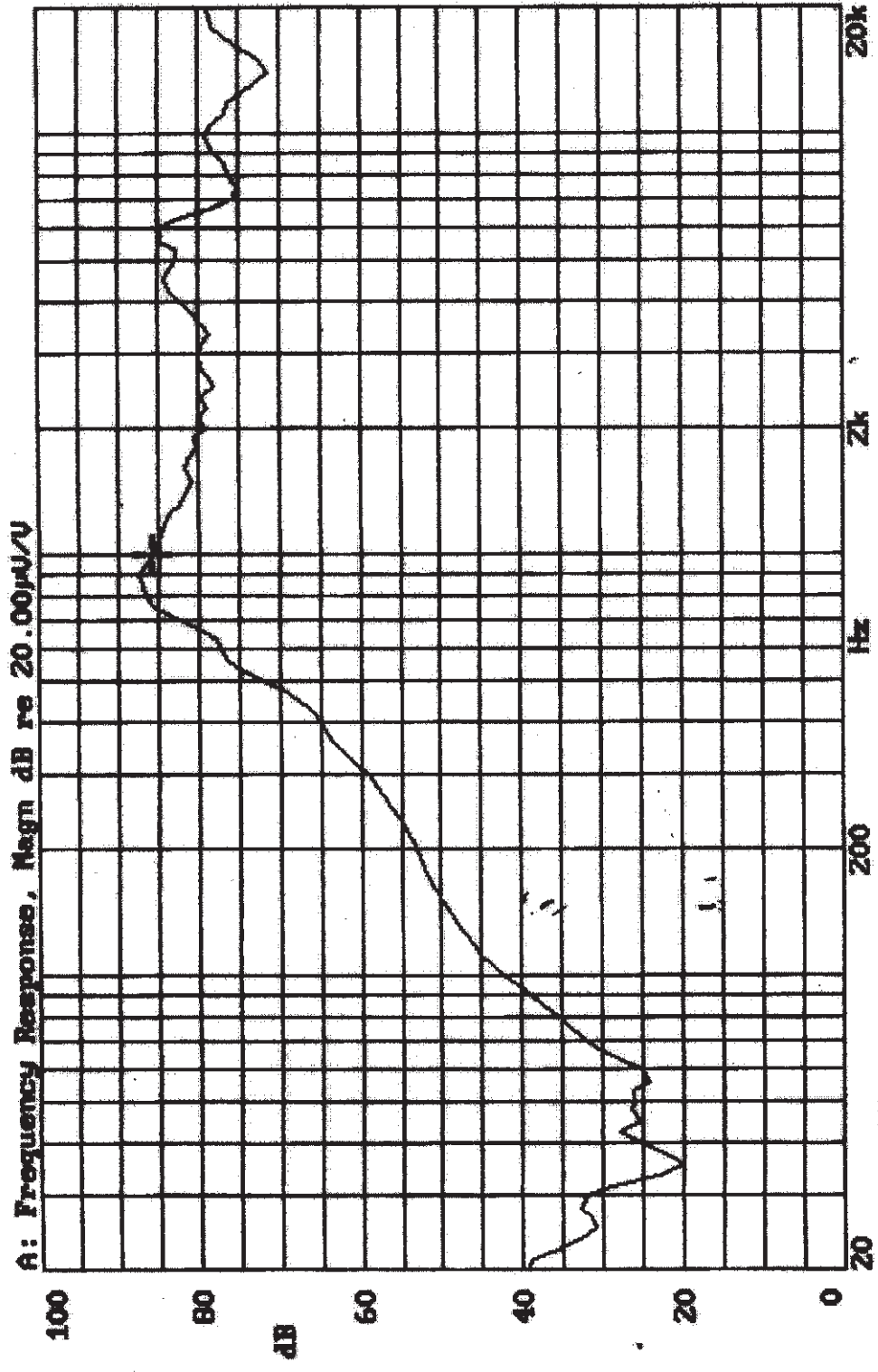
MOUNTING NOTICE



Unit : mm

Housing Material : METAL

PZ3CS08FH-36ND VOL:2K(0.5V) DIS:0.5M VANSOONIC
*X:1.0000kHz *Y:85.86dB ZA:Live Curve SSR Fund.



17-NOV-2003 14:18:29

Mode: SSR