

VECO VANSONIC ENTERPRISE CO.,LTD.

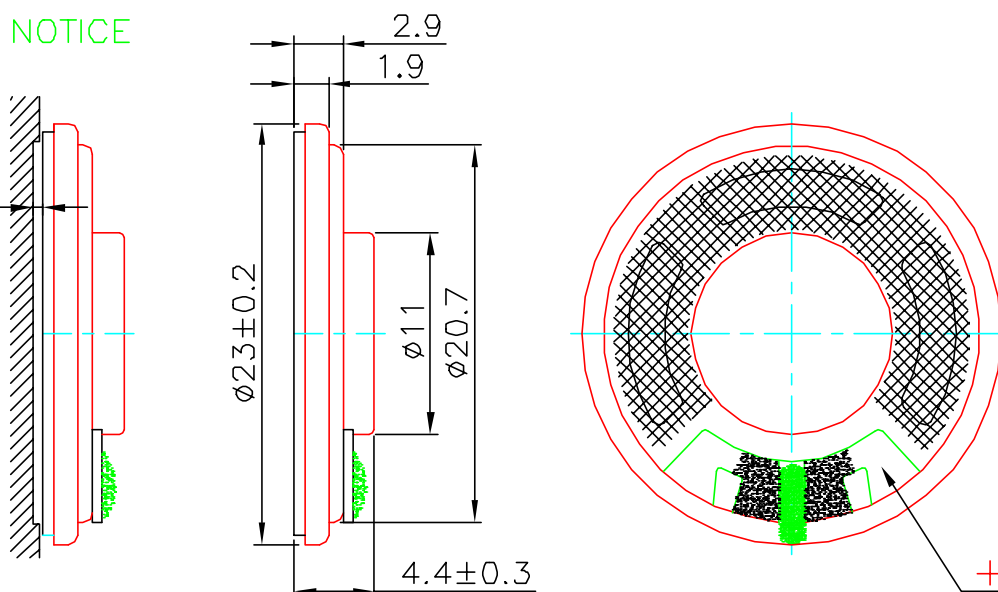
8F.,No.7,Lane 16, Sec.2, Szechwan Road, Panchiao, Taipei Hsien, TAIWAN.

TEL: +886-2-29626335 FAX: +886-2-29625220 E-MAIL: VANSONIC@MS4.HINET.NET

| | | |
|-----|---|--|
| 1. | MODEL: | 23CS08F -M38NT(Clear Mylar)-M38ND(Black Mylar) |
| 2. | Dimension | Outer Diameter 23 mm. Baffle Opening 20 mm. |
| | | Height Refer to Drawing . Weight 3.0 Grams. |
| 3. | Magnet | Materials Rare Earth . Size ϕ 8.0X1.5 mm. |
| 4. | Nominal Impedance | 8 \pm 15 % At 1500 Hz. |
| 5. | Power Rating | Normal 200 mW. Maximum 400 mW. |
| 6. | Lowest Resonant Frequency | 780 \pm 20 % Hz. |
| 7. | Output Sound Pressure Lever (S.P.L.) | 81 \pm 3 db / 0.2 Watt . 0.5 Meter. |
| | | Average at 800, 1000, 1200, 1500 Hz. |
| 8. | Frequency Range | 600 ~ 8000 Hz. Average S P L - 10 db. |
| 9. | Distortion | 5 % Maximum At 1000 Hz. 200 mW. |
| 10. | Abnormal Sound Test | Must be Normal Tested By 1.3 Volts. Sine Wave. |
| 11. | Load Test | White Noise with Weighted Filter 1.3 Volts.(RMS) 24 Hrs. |
| 12. | Polarity | Diaphragm shall move Forward when Apply a Positive DC. |
| | | Current to the "+" or "Marked" Terminal. |

MOUNTING NOTICE

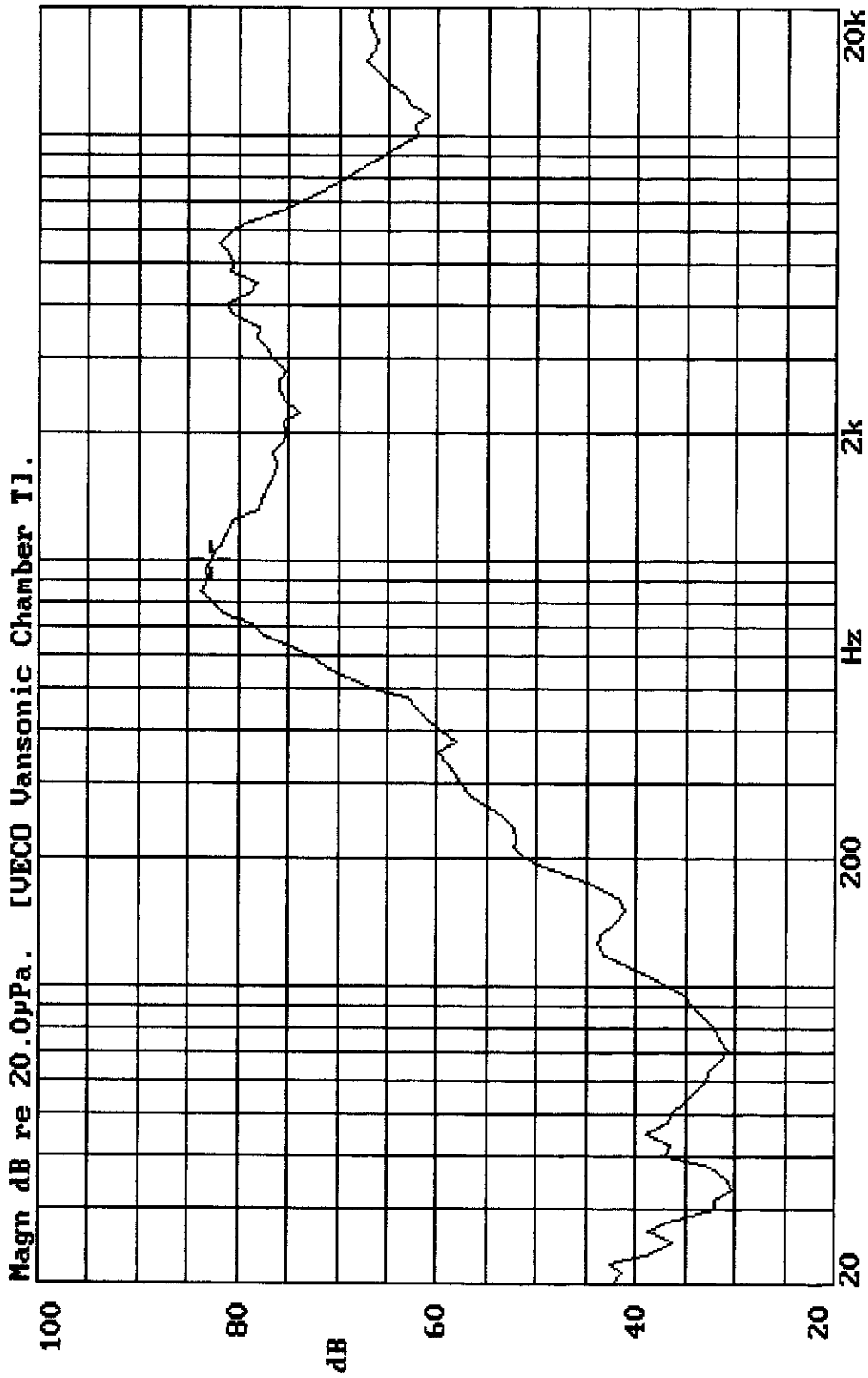
AT LEAST
0.4mm
FOR
DIAPHRAGM
MOVING



Unit : mm

Housing Material : METAL

Z3CS08F-38ND Vol:1.265V(0.2W) Dis:0.5M VANSOONIC
X:1.0000kHz *Y:82.91dB ZA:Live Curve SSR Fund.



23-JUN-1999 13:57:56

Mode: SPEAKER

