

# VECO VANSONIC ENTERPRISE CO., LTD.

8F., No.7, Lane 16, Sec.2, Szechwan Road, Panchiao, Taipei Hsien, TAIWAN.

TEL: +886-2-29626335

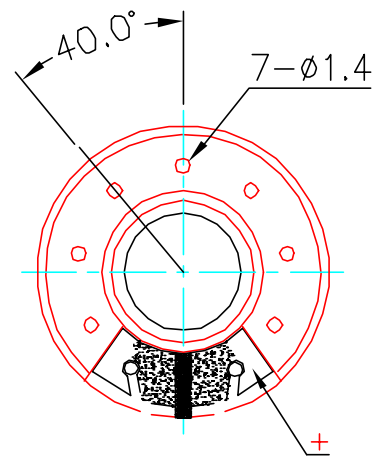
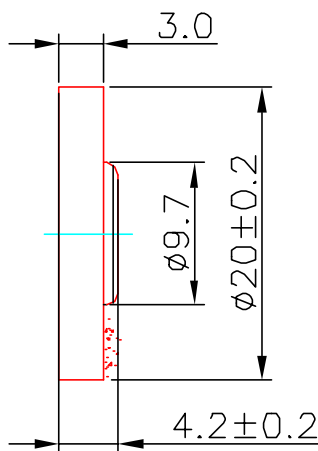
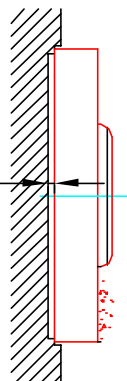
FAX: +886-2-29625220

E-MAIL: VANSONIC@MS4.HINET.NET

1.	<b>MODEL:</b>	<b>20CS08G</b> -M38NT(Clear Mylar)			
2.	Dimension	Outer Diameter	20 mm.	Baffle Opening	18.7 mm.
		Height	Refer to Drawing.	Weight	1.7 Grams.
3.	Magnet	Materials	Rare Earth	Size	∅ 6.5 x 1.5 mm.
4.	Nominal Impedance	8	± 15 %	At	1500 Hz.
5.	Power Rating	Normal	100 mW.	Maximum	200 mW.
6.	Lowest Resonant Frequency	950	± 20 %		Hz.
7.	Output Sound Pressure Lever (S.P.L.)	73 ± 3 db / 0.1 Watt . 0.5 Meter.			
		Average at	1200, 1500, 2000, 2500		Hz.
8.	Frequency Range	300 ~ 5500	Hz.	Average SPL - 10 db.	
9.	Distortion	5 %	Maximum At	1000 Hz.	100 mW.
10.	Abnormal Sound Test	Must be Normal Tested By		0.9 Volts.	Sine Wave.
11.	Load Test	White Noise with Weighted Filter		0.9 Volts.(RMS)	24Hrs.
12.	Polarity	Diaphragm shall move Forward when Apply a Positive DC.			
		Current to the "+" or "Marked" Terminal.			

## Mounting Notice

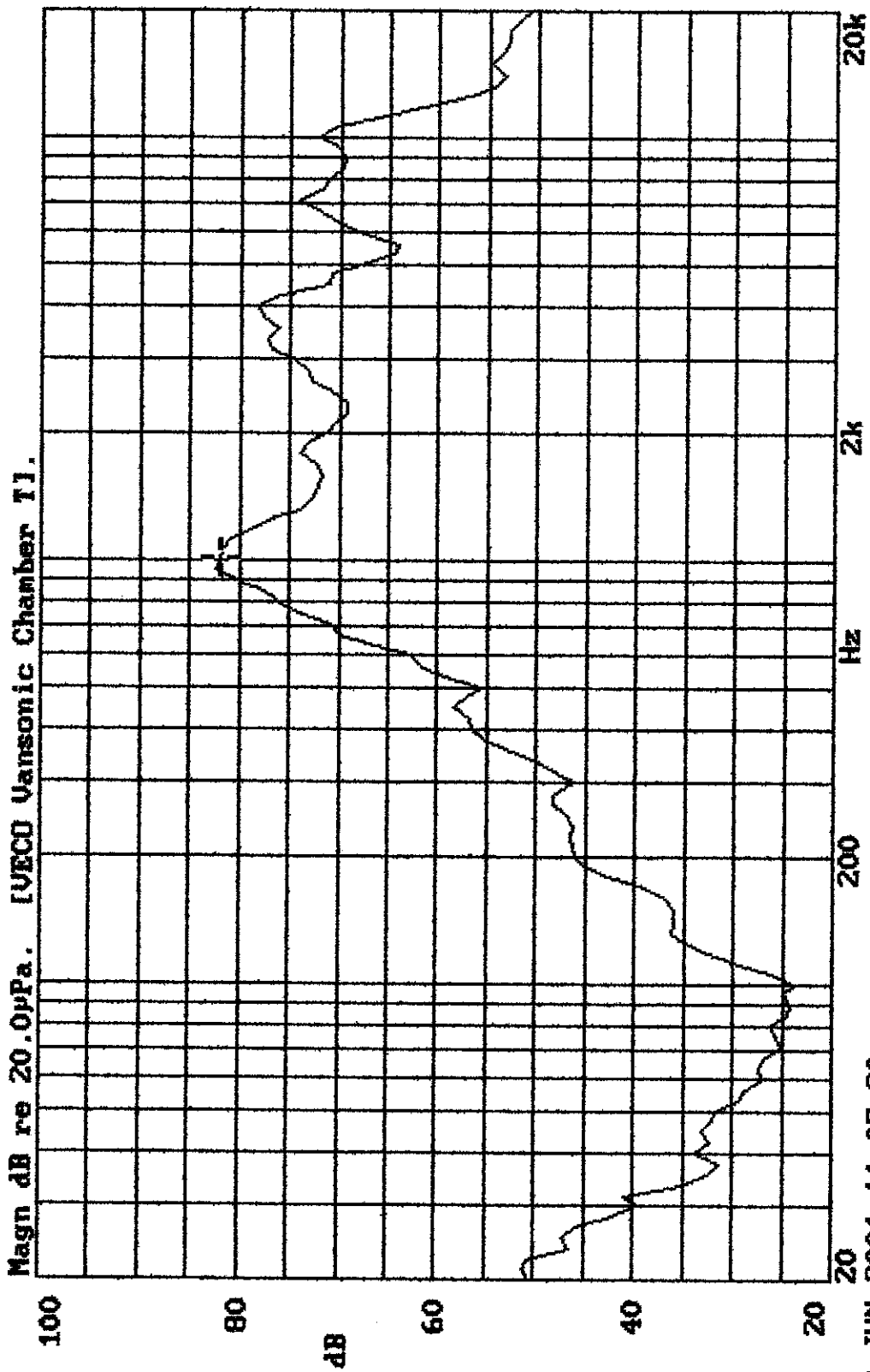
At least 0.5mm  
For  
Diaphragm  
Moving



Unit : mm

Housing Material : ABS

20CS08G-M38NT VOL:0.894V(0.1W) DIS:0.5M VANSONIC  
X:1.0000KHz \*Y:82.02dB ZA:Live Curve SSR Fund.



19-JUN-2001 11:07:30

Mode: SSR

