

# VECO VANSONIC ENTERPRISE CO., LTD.

8F., No. 7, Lane 16, Sec. 2, Szechwan Road, Panchiao, Taipei Hsien, TAIWAN.

TEL: +886-2-29626335

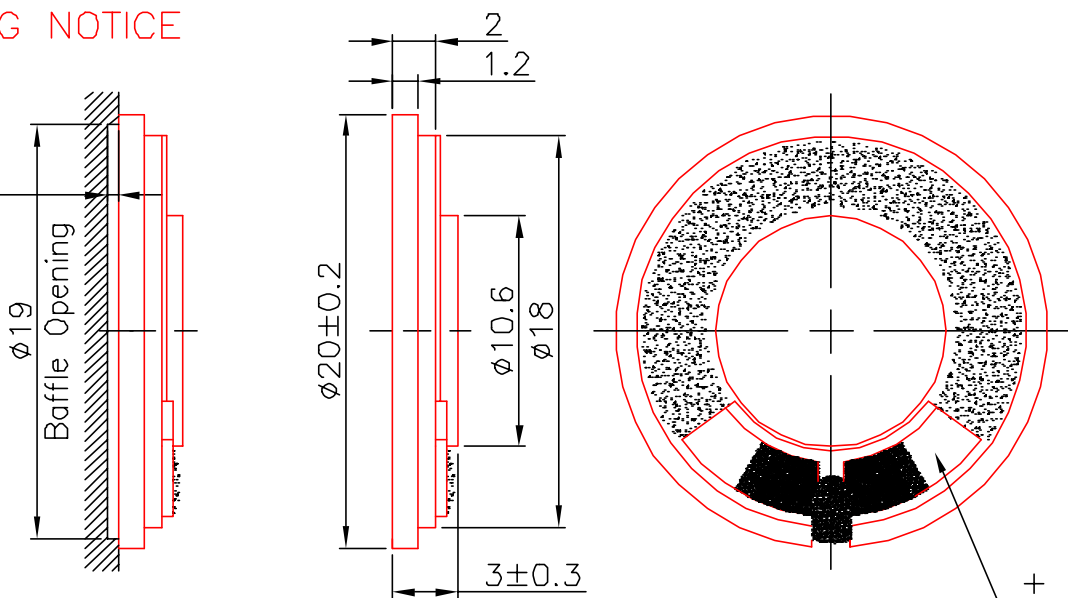
FAX: +886-2-29625220

E-MAIL: vansonic@ms4.hinet.net

1.	<b>MODEL:</b>	<b>20CS08FLH</b> -M38ND(Black Mylar)-M38NT(Clear Mylar)					
2.	Dimension	Outer Diameter	<b>20</b>	mm.	Baffle Opening	<b>19</b>	mm.
		Height	Refer to Drawing .		Weight	<b>2.0</b>	Grams.
3.	Magnet	Materials	<b>Rare Earth</b> .		Size	$\phi$ <b>8.0x1.0</b> mm.	
4.	Nominal Impedance	<b>8</b>	$\pm$	<b>15</b>	%	At	<b>1500</b> Hz.
5.	Power Rating	Normal	<b>500</b>	mW.	Maximum	<b>1000</b> mW.	
6.	Lowest Resonant Frequency	<b>570</b>	$\pm$	<b>20</b>	%	Hz.	
7.	Output Sound Pressure Level (S.P.L.)	<b>78</b>	$\pm$	<b>3</b>	db / 0.5 Watt .	0.5 Meter.	
		Average at		<b>800, 1000, 1200, 1500</b>	Hz.		
8.	Frequency Range	<b>500</b>	~	<b>20000</b>	Hz.	Average S P L - 10 db.	
9.	Distortion	<b>5</b>	%	Maximum At	<b>1000</b>	Hz.	<b>500</b> mW.
10.	Abnormal Sound Test	Must Be Normal Test By <b>2.0</b> Volts. Sine Wave.					
11.	Load Test	White Noise With Weighted Filter <b>2.0</b> Volts.(RMS) <b>24</b> Hrs.					
12.	Polarity	Diaphragm shall move Forward when Apply a Positive DC.					
		Current to the "+" or "Marked" Terminal.					

## MOUNTING NOTICE

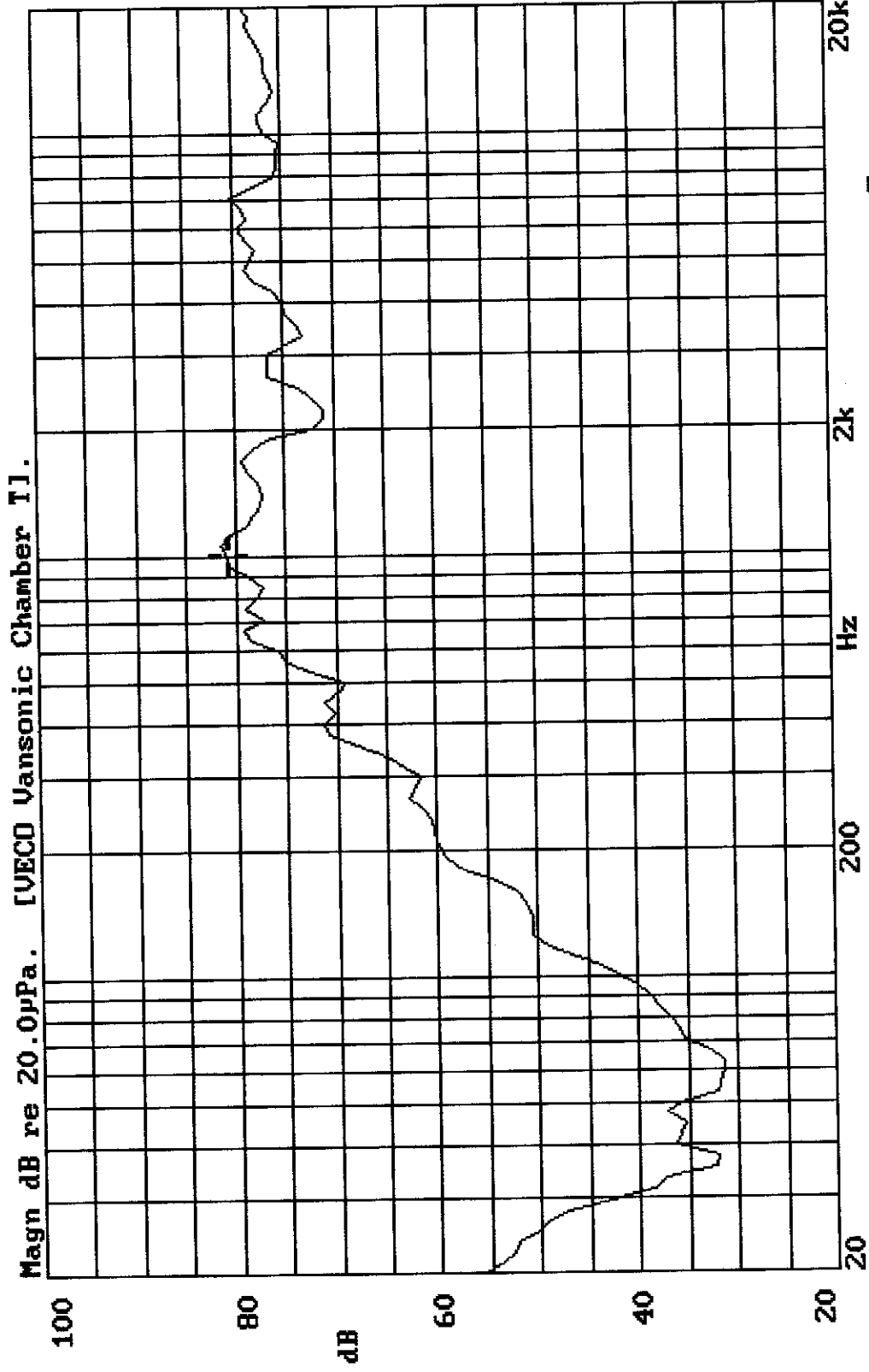
At Least  
0.5 mm  
For  
Diaphragm  
Moving



Unit : mm

Housing Material : METAL

20CS08FLH-M38ND VOL:2.0V(0.5W) DIS:0.5M VANSONIC  
X:1.0000kHz \*Y:80.82dB ZA:Live Curve SSR Fund.



18-MAR-2002 13:45:32

Mode: SPEAKER