

**Description**

**CSPT16B03-4.0F1:**

Chinasound SMD Piezo Transducer 16mm length, type B(=16 mm width, 2.5mm height, soldering pad width 2mm), 3Vp-p rated voltage – 4.0KHz resonant frequency, lead Free reflowing solderable and RoHS compliant, 1(=-40 ~ +120°C operating temperature, tested on 60x50mm PCB)

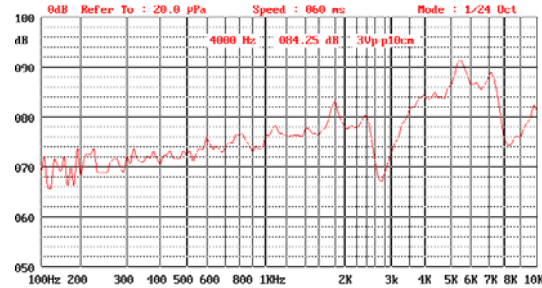
**◆ RoHS compliant**

- ◆ Reliable Solid State Piezoelectric Technology
- ◆ Corrosion Resistance Diaphragm
- ◆ Flame Retardant Plastic
- ◆ Tape and reel packaging for auto mounting

**Picture**



**Frequency Response Curve**



**Specification**

- Rated Voltage
- Operating Voltage
- Operating Frequency
- Typical Sound Output
- Rated Current
- Capacitance
- Operating Temperature
- Storage Temperature
- Termination
- Construction Materials
- Weight (Typical)
- Reliability

- Description
- Case
- Diaphragm

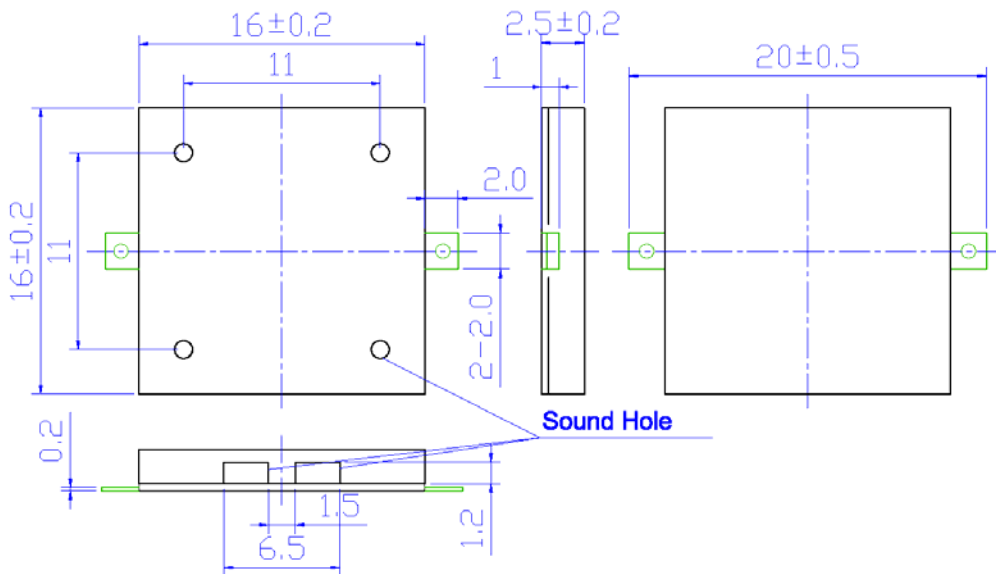
3Vp-p  
 25 Vp-p max.  
 4000+/-500Hz  
 81dB min. at 3Vp-p 10cm 4.0KHz 25°C, tested on 50x60mm PCB  
 1mA at 3Vp-p  
 15000+/-30% pF at 100Hz 1Vrms  
 -40°C to +120°C  
 -40°C to +120°C  
 2 soldering pads, Sn plated Brass  
 Plastic, LCP Vectra E130i  
 Ni Alloy Disc N42  
 0.8g  
 At 3 Vp-p in room temperature continuously for 1000 hours  
 no function at +120+/-2°C for 240 hours, function at +120+/-2°C for 240 hours,  
 no function at -40+/-2°C for 240 hours, function at -40+/-2°C for 240 hours,  
 +40+/-2°C, 95+/-5%RH, 240 hours  
 -40+/-2°C 0.5 hr → +25+/-2°C 0.25 hr → +120+/-2°C 0.5 hr → +25+/-2°C 0.25 hr. Temperature  
 Go up or Drop time is 0.5 hr. 3 hrs per 1 cycle. Total is 5 cycles  
 1.5mm with 10 to 50Hz of vibration frequency to each of 3 perpendicular directions for 2 hours  
 980m/s<sup>2</sup> (=100g) shock for each mutually perpendicular directions, half sine wave, 3 times each  
 Dropped naturally from 750mm height onto the surface of 10mm wooden board. 2 directions –  
 upper and side of the part are applied  
 Samples put through reflowing soldering over 2 twice  
 Samples put on PCB with solder paste through reflowing soldering over 1 times

- \*Life Test
- \*High Temperature
- \*Low Temperature
- \*Humidity
- \*Thermal Shock
- \*Vibration
- \*Shock
- \*Drop Test
- \*Soldering Heat Resistance
- \*\*Solderability

**Warranty**

\*All specifications must be satisfied after the test (Recovery:2 to 4 hrs of recovery under the standard condition after the removal from test chamber).  
 \*\*90% min. soldering pads shall be with solder.(except the edge of pad)

**Dimensions (Unit:mm)**

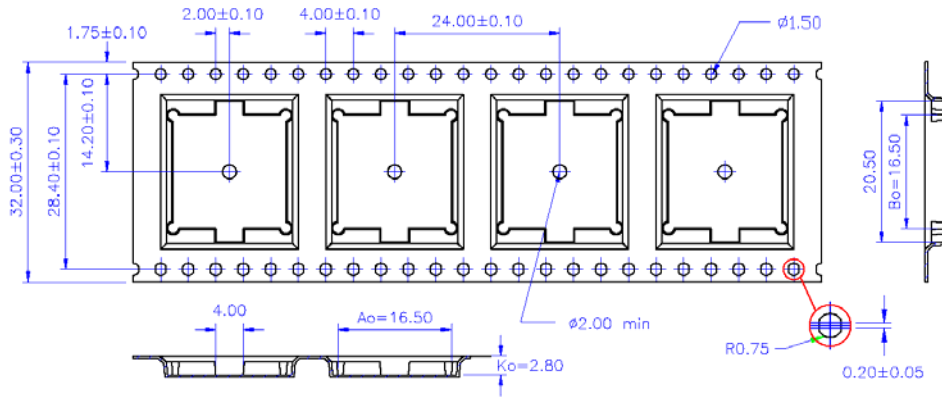


All specifications are subject to change without notice



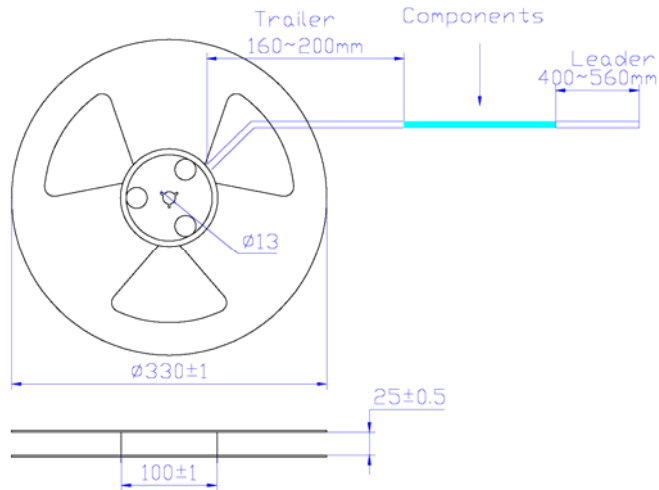
CHANGZHOU CHINASOUND ELECTRONICS CO., LTD.  
 Tel: +86-519-6182518, 6182517, 6182516 Fax: +86-519-6182519  
<http://www.chinasound.com> email: [csound@jssmail.com.cn](mailto:csound@jssmail.com.cn)

**Tape & Reel Dimensions (Unit:mm)**

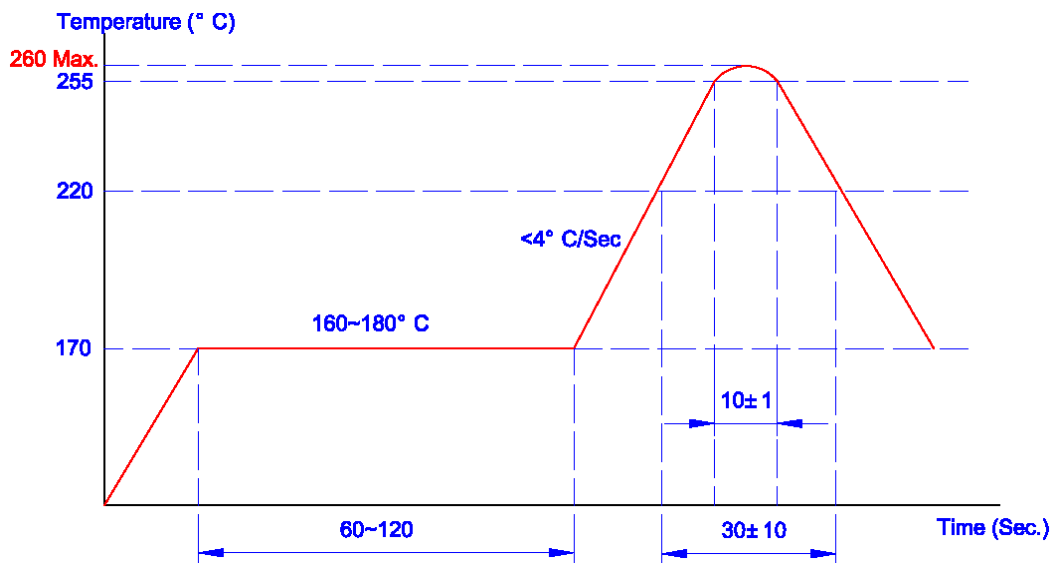


**NOTE:**

1. 10 sprocket hole pitch cumulative tolerance +/-0.20mm.
2. Carrier camber not to exceed 1 mm in 250 mm.
3. All dimensions meet EIA-481-2-A requirements.
4. Thickness: 0.40+/-0.05 mm.
5. Component loaded per 13" reel: 750 pcs.



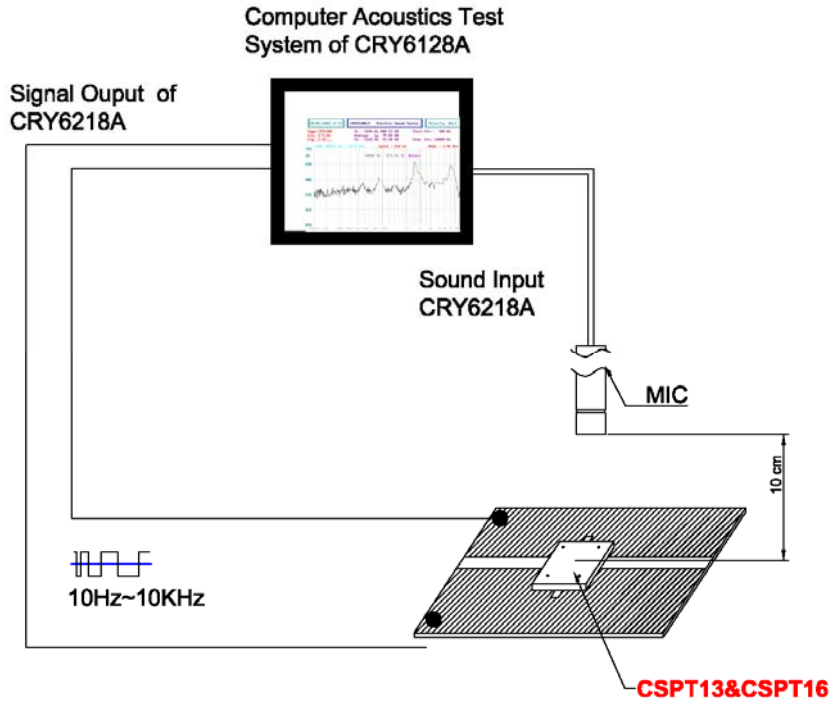
**Recommend Reflowing Profile**



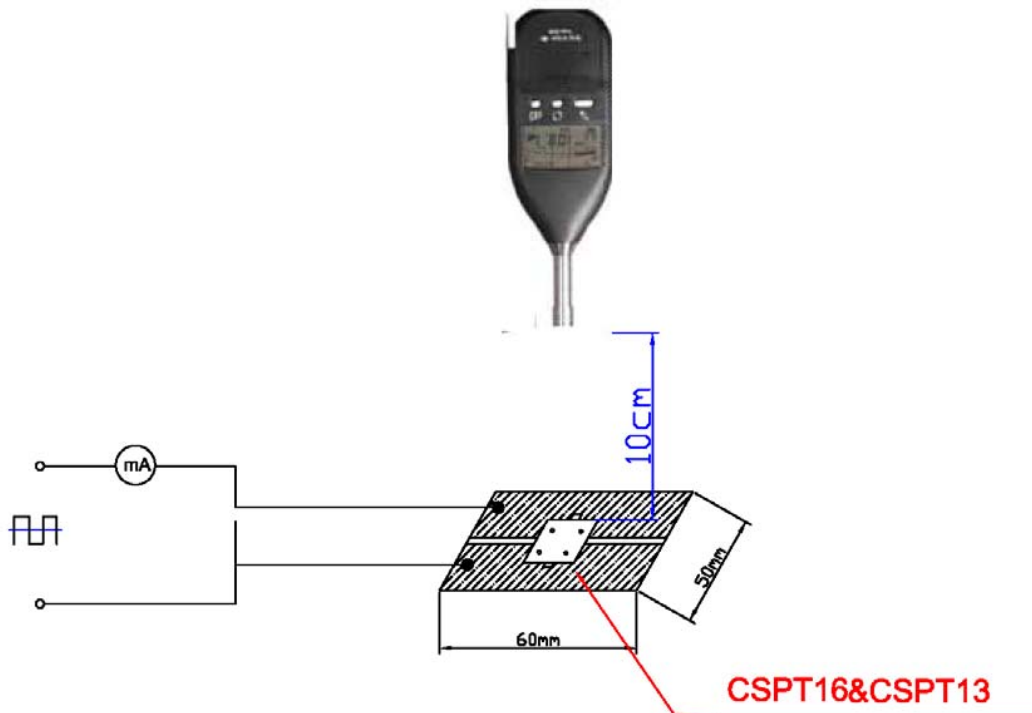
All specifications are subject to change without notice

Test Methods

SPL1: Tested by Computer Acoustics Test System of CRY6128A



SPL2: Tested by Sound level meter Brüel & Kjær Type 2240



All specifications are subject to change without notice