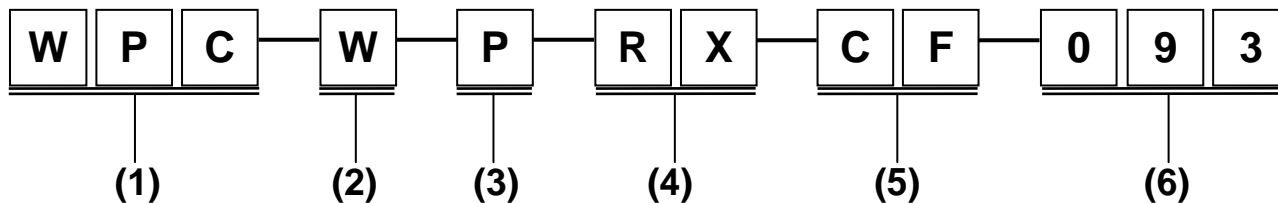


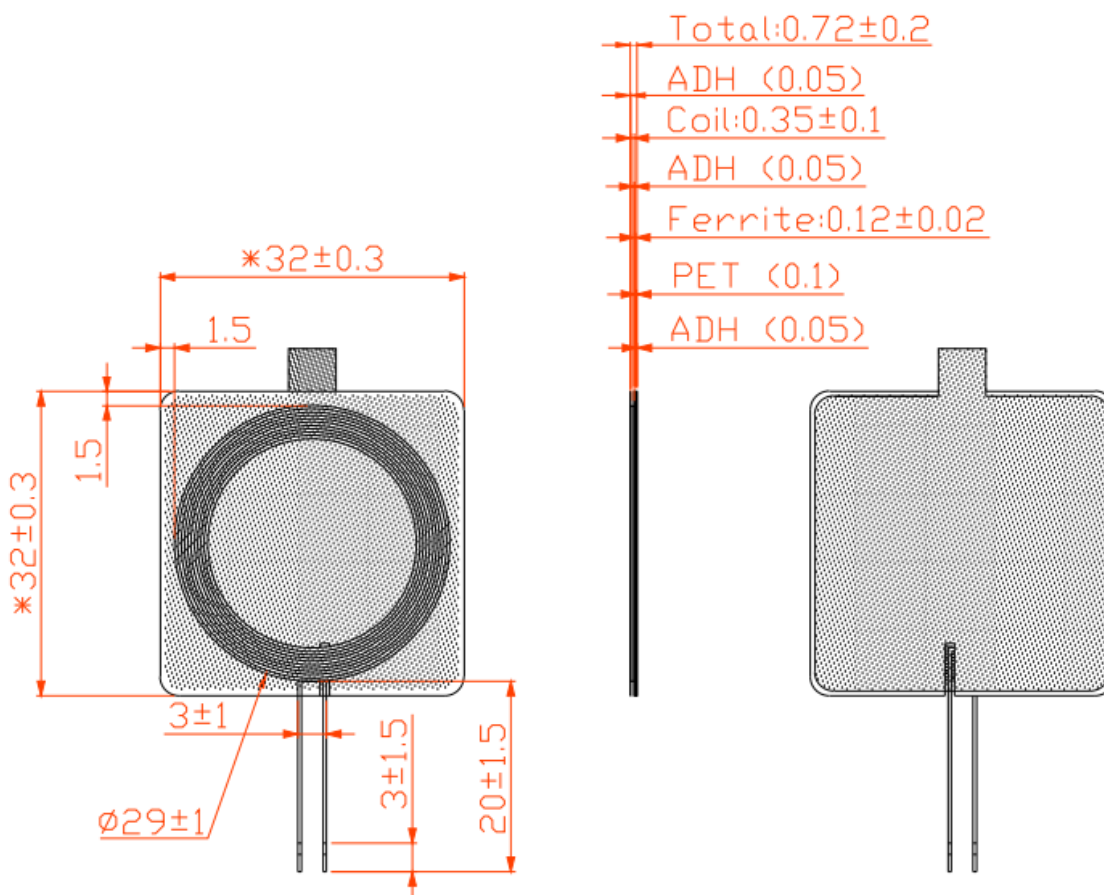
WPC-W-P-RX-CF-093 Specification

1. Explanation of Part Number:



- (1) Product type : Wireless Power Charging
- (2) Mode : WPC
- (3) Active or passive : Passive
- (4) Type : Power Receiver
- (5) Antenna material or type : Coil +Ferrite
- (6) Suffix : Serial number

2. Dimension:



UNLESS OTHER SPECIFIED TOLERANCES ON :

X=± X.X=± X.XX=±

ANGLES=± HOLEDIA=±



INPAQ TECHNOLOGY CO., LTD.

SCALE : N/A

UNIT : mm

DRAWN BY:周敬晨

CHECKED BY:吳金依

DESIGNED BY:張肇庭

APPROVED BY:洪碩國

THIS DRAWINGS AND SPECIFICATIONS ARE THE PROPERTY OF INPAQ TECHNOLOGY CO.,LTD.AND SHALL NOT BE REPRODUCED OR USED AS THE BASIS FOR THE MANUFACTURE OR SALE OF APPARATUS OR DEVICES WITHOUT PERMISSION

TITLE : WPC-W-P-RX-CF-093 Specification

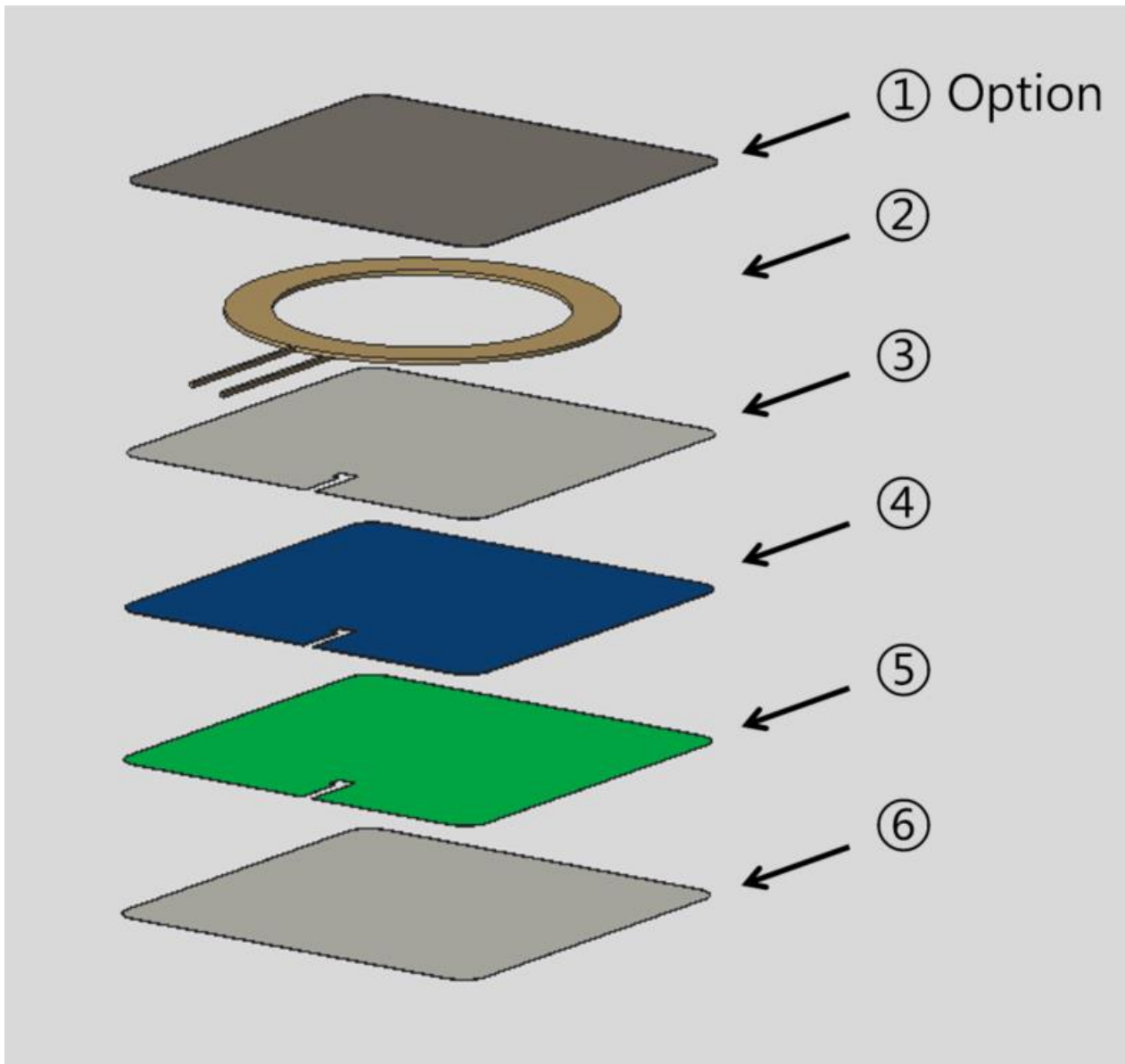
DOCUMENT NO.

ENS000142940

SPEC REV.

P0

3.Solid picture and Material list:



Index	Item	Description	Color	Q'ty
①	ADH	OD 32x32xT0.05	Transparent	1
②	Coil	OD 29x0.35x10TS	Pastel orange	1
③	Adhesive	OD 32x32xT0.05	Transparent	1
④	Ferrite	OD 32x32xT0.12	Black	1
⑤	Pet	OD 32x32xT0.1	Black	1
⑥	Adhesive	OD 31x31xT0.05	Transparent	1

4. Coil Specification:

a.) OD:29x0.35x10TS

b.) Thickness:0.72mm(with ①ADH)

UNLESS OTHER SPECIFIED TOLERANCES ON :			INPAQ TECHNOLOGY CO., LTD.
X=±	X.X=±		
ANGLES=±		HOLEDIA=±	
SCALE : N/A	UNIT : mm		
DRAWN BY:周敬晨	CHECKED BY:吳金依		
DESIGNED BY:張肇庭	APPROVED BY:洪碩國		
TITLE : WPC-W-P-RX-CF-093 Specification		DOCUMENT NO.	ENS000142940
			SPEC REV. P0

5. Test Condition:

5.1 Test Equipment

NO	ITEN	Maker/Part name	Remark
1	LCR Meter	WAYNE KERR 6500B	L/Q/Rdc Tester
2	Test Fixture	WAYNE KERR FIXTURE 20A 1030	
3	Calibration Kit	INPAQ Internal	

5.2 Electrical Specification

Coil		
Test Item	Test Condition	Specification
Inductance	100K Hz, 1V	7.45 uH±10%
Q value	100K Hz, 1V	22.5±10%
DCR	1Hz@25°C	158mΩ±10%



FLQ(100K~200K)

UNLESS OTHER SPECIFIED TOLERANCES ON :

X=± X.X=± X.XX=±

ANGLES=± HOLEDIA=±

SCALE : N/A UNIT : mm

DRAWN BY:周敬晨 CHECKED BY:吳金依

DESIGNED BY:張肇庭 APPROVED BY:洪碩國

TITLE : WPC-W-P-RX-CF-093 Specification



INPAQ TECHNOLOGY CO., LTD.

THIS DRAWINGS AND SPECIFICATIONS ARE THE PROPERTY OF INPAQ TECHNOLOGY CO.,LTD.AND SHALL NOT BE REPRODUCED OR USED AS THE BASIS FOR THE MANUFACTURE OR SALE OF APPARATUS OR DEVICES WITHOUT PERMISSION

DOCUMENT NO.

ENS000142940

SPEC REV. P0

6. Reliability Test:

NO	ITEM	Condition	Characteristics	Remark
1	High Temp. Storage Test	Initial value measured at standard test condition. Test Conditions: 85 ±2 °C, 96hr Measuring After 1-2hr at standard conditions.	- No electrical, appearance problem	
2	Low Temp. Storage Test	Initial value measured at standard test condition. Test Conditions: -20±2 °C, 96hr Measuring After 1-2hr at standard conditions.		
3	Temperature cycle Test	Initial value measured at standard test condition. Test Conditions: -20±2 °C, 1hr→5Min→65 ±2 °C, 1hr Test Cycle: 10 times Measuring After 1-2hr at standard conditions.		
4	High Temp & Humidity Storage Test	Initial value measured at standard test condition. Test Conditions: 85±2°C, 95±3% RH, 96hr Measuring After 1-2hr at standard conditions.		option

UNLESS OTHER SPECIFIED TOLERANCES ON :

X=± X.X=± X.XX=±

ANGLES=± HOLEDIA=±



INPAQ TECHNOLOGY CO., LTD.

SCALE : N/A

UNIT : mm

DRAWN BY:周敬晨

CHECKED BY:吳金依

DESIGNED BY:張肇庭

APPROVED BY:洪碩國

THIS DRAWINGS AND SPECIFICATIONS ARE THE PROPERTY OF INPAQ TECHNOLOGY CO.,LTD.AND SHALL NOT BE REPRODUCED OR USED AS THE BASIS FOR THE MANUFACTURE OR SALE OF APPARATUS OR DEVICES WITHOUT PERMISSION

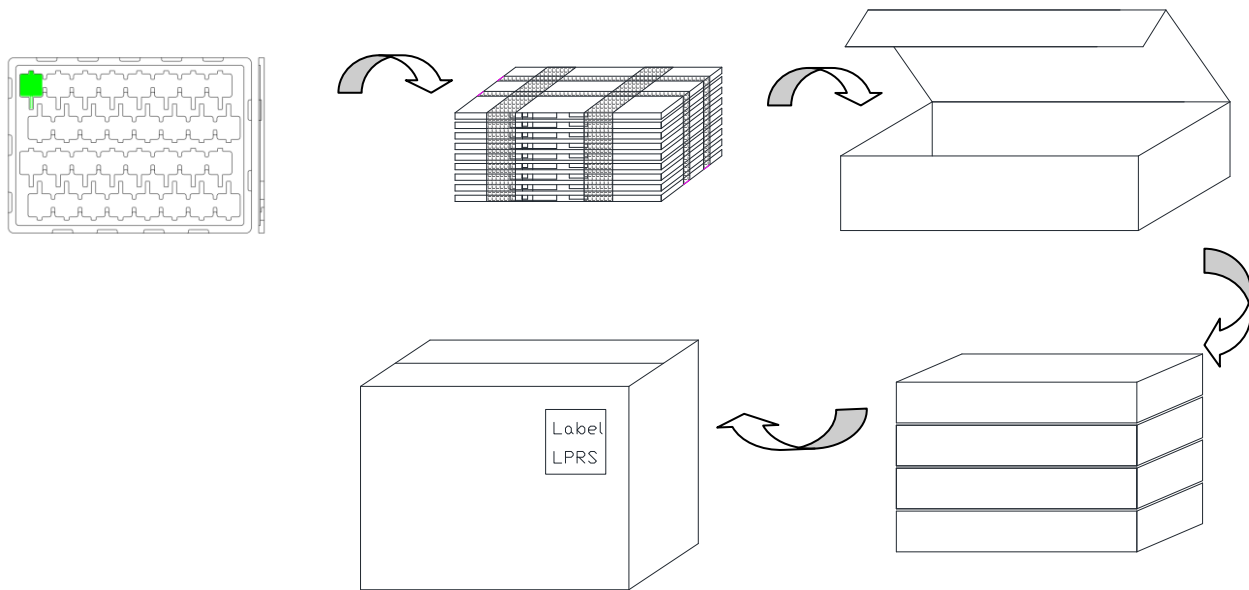
TITLE : WPC-W-P-RX-CF-093 Specification

DOCUMENT NO.

ENS000142940

SPEC REV. P0

7. Package Spec:



A small boxed : 10 pcs Tray + 1 empty Tray (total 11 pcs), total number of samples 32 * 10 = 320 pcs.

A Carton boxed include 4 small boxed, total number of samples 320 * 4 = 1280 pcs.

8.Packing Information:

- 1.) Do not apply high mechanical force or damage on the products during attaching process.
- 2.) Do not store in high temperature or high humidity environments.
- 3.) Avoid heat shock, vibration, direct sunlight, etc.
- 4.) Do not store in corrosive gas atmosphere such as one containing sulfurous acid gas or alkaline gas.


9. Operating & Storage Condition:

1.) OPERATING TEMPERATURE RANGE: -20°C~+85°C

2.) STORAGE TEMPERATURE RANGE: -20°C~+85°C

9.1. Recommended storage condition :

Store in room condition as listed below: Temperature -20°C~+45°C, Humidity 80% Max.

UNLESS OTHER SPECIFIED TOLERANCES ON :			INPAQ TECHNOLOGY CO., LTD.	
X=±	X.X=±			
ANGLES=±		HOLEDIA=±		
SCALE : N/A	UNIT : mm			
DRAWN BY:周敬晨	CHECKED BY:吳金依			
DESIGNED BY:張肇庭	APPROVED BY:洪碩國			
TITLE : WPC-W-P-RX-CF-093 Specification		DOCUMENT NO.	ENS000142940	SPEC REV.
				P0