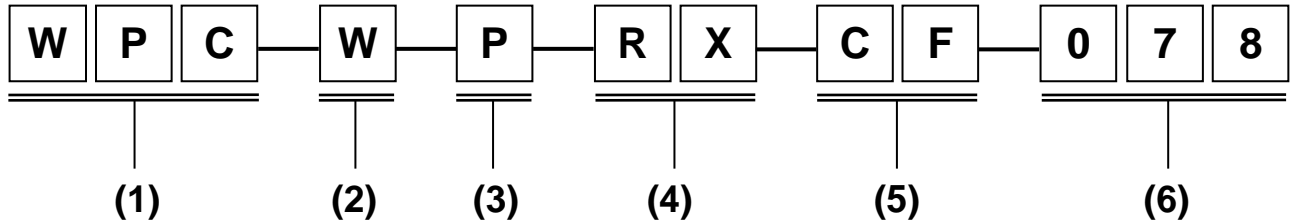


WPC-W-P-RX-CF-078 Specification

1. Explanation of Part Number:



- (1) Product type : Wireless Power Charging
- (2) Mode : WPC
- (3) Active or passive : Passive
- (4) Type : Power Receiver
- (5) Antenna material or type : COIL +Nano
- (6) Suffix : Serial number

2. Electrical Specification:

Test Item	Test Condition	Specification
Inductance	100K Hz, 1V	19±5%uH
Q	100K Hz, 1V	24 (TYP)
DCR	@25°C	250mΩ(MAX)

UNLESS OTHER SPECIFIED TOLERANCES ON :
 X = ± X.X = ± X.XX =
 ANGLES = ± HOLE DIA = ±



INPAQ TECHNOLOGY CO., LTD.

SCALE : N/A

UNIT : mm

DRAWN BY: 王海云

CHECKED BY: 梁文耀

DESIGNED BY: 梁文耀

APPROVED BY: 何幼青

THIS DRAWINGS AND SPECIFICATIONS ARE THE PROPERTY OF INPAQ TECHNOLOGY CO.,LTD.AND SHALL NOT BE REPRODUCED OR USED AS THE BASIS FOR THE MANUFACTURE OR SALE OF APPARATUS OR DEVICES WITHOUT PERMISSION

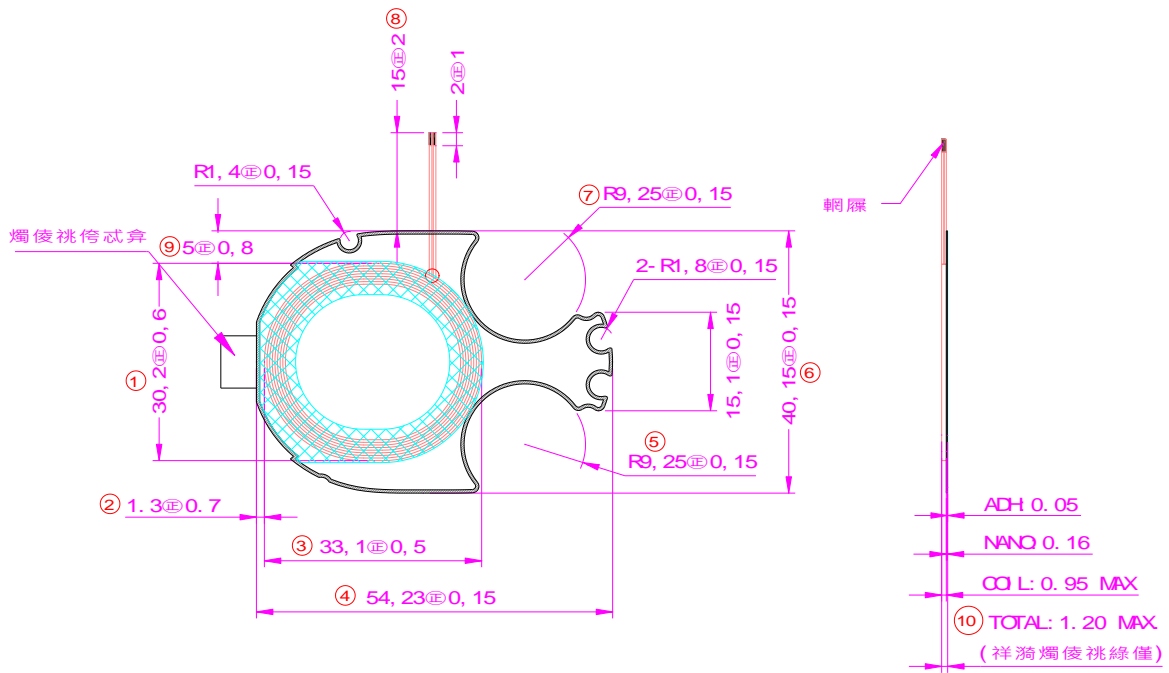
TITLE : WPC-W-P-RX-CF-078 Specification

DOCUMENT NO.

ENS000139910

SPEC REV.
A0

3. Dimension.




圈数：15TS；线径：0.4mm 漆包铜线

4. Operating & Storage Condition:

- a.) OPERATING TEMPERATURE RANGE: -25°C~+75°C
- b.) STORAGE TEMPERATURE RANGE: -20°C~+75°C; HUMIDITY:50% MAX.

5. Packing Specifications:

UNLESS OTHER SPECIFIED TOLERANCES ON : X = ± X.X = ± X.XX = ANGLES = ± HOLE DIA = ±		 INPAQ TECHNOLOGY CO., LTD.
SCALE : N/A	UNIT : mm	
DRAWN BY: 王海云	CHECKED BY: 梁文耀	THIS DRAWINGS AND SPECIFICATIONS ARE THE PROPERTY OF INPAQ TECHNOLOGY CO.,LTD.AND SHALL NOT BE REPRODUCED OR USED AS THE BASIS FOR THE MANUFACTURE OR SALE OF APPARATUS OR DEVICES WITHOUT PERMISSION
DESIGNED BY: 梁文耀	APPROVED BY: 何幼青	
TITLE : WPC-W-P-RX-CF-078 Specification		DOCUMENT NO. ENS000139910 SPEC REV. A0

WPC-W-P-RX-CF-078 存储方式	
料号	000480409902
品名	WPC-W-P-RX-CF-078
吸塑盘包装	60 盘/箱
储存湿度	不超过 80%RH
储存温度	10°C~45°C
储存时间	3 个月（线圈本体为 1 年、引线镀锡部分 3 个月）
环保方面	环保与非环保料区分离
制造领用	先进先出

WPC-W-P-RX-CF-078 包装方式	
料号	000480409902
品名	WPC-W-P-RX-CF-078
吸塑包装	160pcs/盘
纸箱体积	0.045CBM/个
长*宽*高	520*290*300mm



UNLESS OTHER SPECIFIED TOLERANCES ON :
 $X = \pm$ $X.X = \pm$ $X.XX =$
ANGLES = \pm **HOLE DIA = \pm**



INPAQ TECHNOLOGY CO., LTD.

SCALE : N/A

UNIT : mm

DRAWN BY: 王海云

CHECKED BY: 梁文耀

DESIGNED BY: 梁文耀

APPROVED BY: 何幼青

THIS DRAWINGS AND SPECIFICATIONS ARE THE PROPERTY OF INPAQ TECHNOLOGY CO.,LTD.AND SHALL NOT BE REPRODUCED OR USED AS THE BASIS FOR THE MANUFACTURE OR SALE OF APPARATUS OR DEVICES WITHOUT PERMISSION

TITLE : WPC-W-P-RX-CF-078 Specification

DOCUMENT
NO.

ENS000139910

SPEC REV.
A0