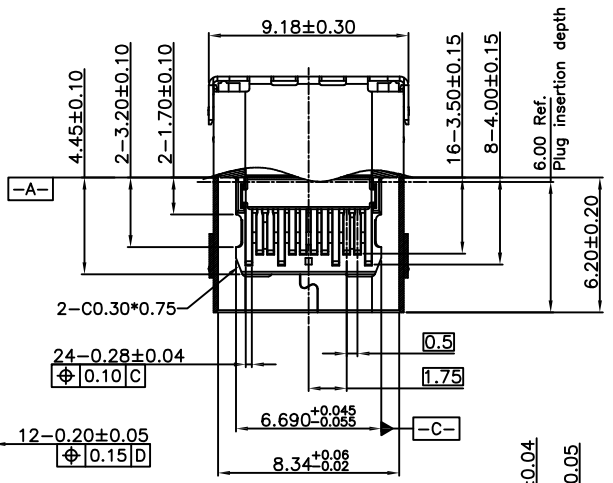


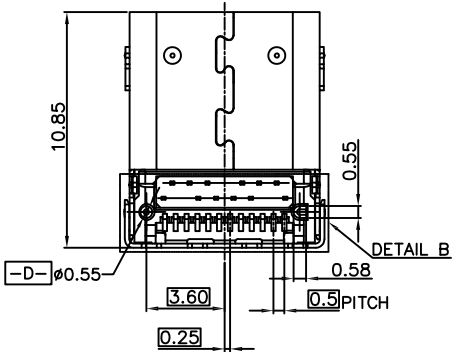
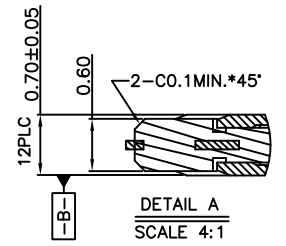
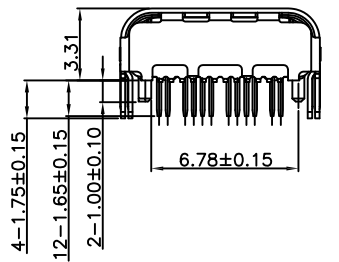
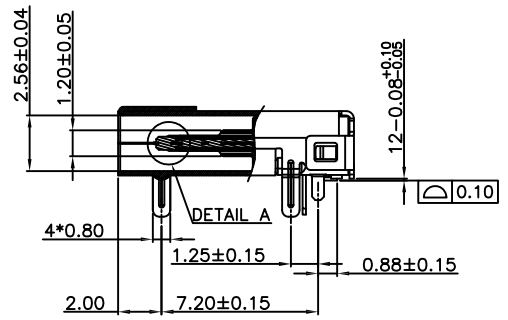
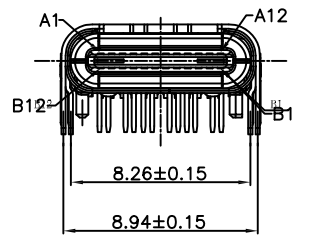
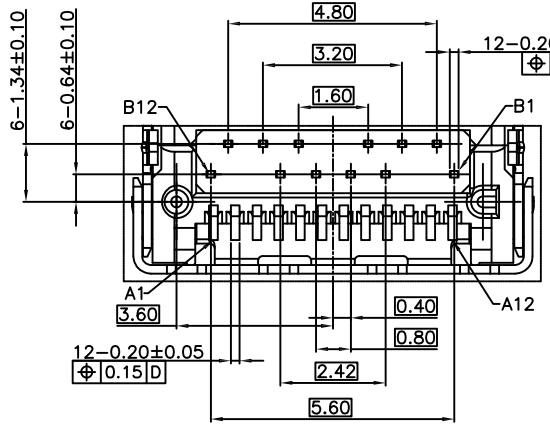
APPROVED: _____
 DATE: _____ TITLE: _____

Rev	AWO #	Description	Date	Appr
-		RELEASED	9/3/15	
A		UPDATED SPEC.	2/13/17	HR/JL
B		UPDATED DIM.	10/9/18	HR/RC1
C		UPDATED DRAWING	11/1/18	HR/TY



A1	A2	A3	A4	A5	A6	A7	A8	A9	A10	A11	A12
GND	TX1+	TX1-	VBUS	CC1	D+	D-	SBU1	VBUS	RX2-	RX2+	GND
GND	RX1+	RX1-	VBUS	SBU2	D-	D+	CC2	VBUS	TX2-	TX2+	GND
B12	B11	B10	B9	B8	B7	B6	B5	B4	B3	B2	B1

INTERFACE DEFINITION



SPECIFICATIONS:
 Material:
 Insulator: Hi-temp thermoplastic, rated UL 94V-0
 Insulator color: Black
 Contacts: Copper Alloy
 Shell: Stainless Steel, Nickel plated
 Plating:
 Gold flash over Nickel underplate on contact area,
 Tin over Nickel underplate on solder tails.
 Electrical:
 Current rating: 3 A (Vbus)
 1.25 A (Vconn)
 Contact resistance: 40 mohms max @ 20mV, 100 mA
 Insulation resistance: 100 Mohms min.
 Dielectric withstanding: 100 VAC RMS
 Mechanical:
 Insertion force: 5~20N
 Withdrawal force: 8~20N After test
 Durability: 10,000 Cycles
 Temperature Rating:
 Operating temperature: -40°C to +85°C
 Environmental:
 Lead free, RoHS compliant.



PACKAGED ON TAPE & REEL

UNLESS OTHERWISE SPECIFIED ALL DIMENSIONS ARE MILLIMETERS TOLERANCES: EXCEPT AS NOTED		
MM		
X.	± 0.50	X.' ± 3°
.X	± 0.30	.X' ± 2°
.XX	± 0.20	.XX' ± 1°
.XXX	± 0.10	.XXX' ± 0.5°
APPROVALS		DATE
DRAWN	HR	9/3/15
CHECKED	TW	9/3/15
APPROVED		

909 Rahway Avenue,
 Union, NJ 07083
 Phone: 908-687-5000
 Fax: 908-687-5710

TITLE: UNIVERSAL SERIAL BUS, TYPE C, FEMALE, RIGHT ANGLE, BLACK INSULATOR, TAPE & REEL		
SIZE: X	PART NO.: USB-C31-S-RA-CS2-BK-T/R	REV.: C
REF: S00097C	SCALE: NTS	SHEET 1 OF 2

6 5 4 3 2 1

D

D

C

C

B

B

A

A

6 5 4 3 2 1

6

5

4

3

2

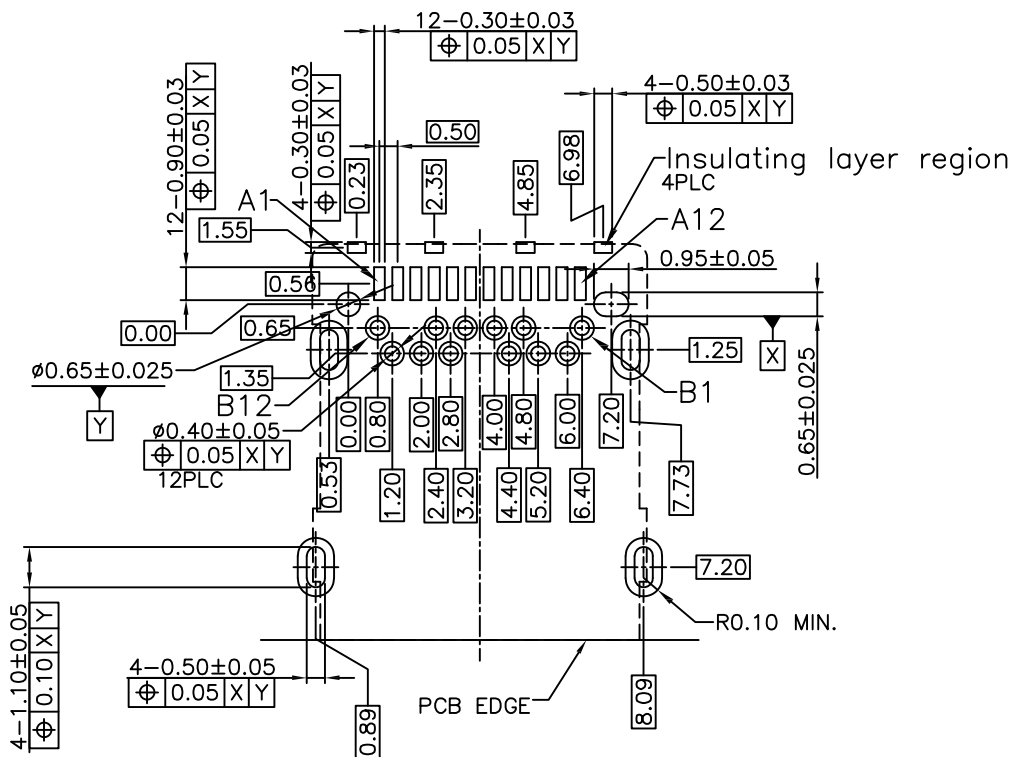
1

APPROVED: _____

DATE: _____ TITLE: _____

Rev	AWO #	Description	Date	Appr
-----	-------	-------------	------	------

SEE SHT 1 OF 2 FOR REVISION



RECOMMENDED PCB LAYOUT

UNLESS OTHERWISE SPECIFIED
 ALL DIMENSIONS ARE MILLIMETERS
 TOLERANCES: EXCEPT AS NOTED

MM	ANGLE
X. ± 0.50	X.' ± 3°
.X ± 0.30	.X' ± 2°
.XX ± 0.20	.XX' ± 1°
.XXX ± 0.10	.XXX' ± 0.5°

ADAM TECH
INTERCONNECTS

909 Rahway Avenue,
 Union, NJ 07083
 Phone: 908-687-5000
 Fax: 908-687-5710

APPROVALS		DATE
DRAWN	HR	9/3/15
CHECKED	TW	9/3/15
APPROVED		

TITLE		
UNIVERSAL SERIAL BUS, TYPE C, FEMALE, RIGHT ANGLE, BLACK INSULATOR, TAPE & REEL		
SIZE	PART NO.	REV.
X	USB-C31-S-RA-CS2-BK-T/R	C
REF:	S00097C	SCALE: NTS
		SHEET 2 OF 2

6

5

4

3

2

1